

Adjustable Height Monitor (AHM) Arm

Quick Installation and Adjustment Instructions

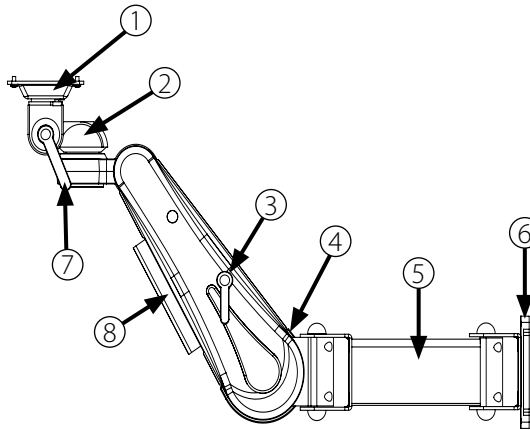


Medical Facility Responsibility




WARNING: It is the responsibility of the end user to ensure all aspects of the installation are covered by following the full manual at: <https://www.amico.com/sites/default/files/product/downloads/amico-aa-ahm-adjustable-height-patient-monitor-arm-manual.pdf>

AHM Monitor Arm

1. **Monitor Mounting Adapter**
VESA LCD mount shown, other options available
2. **Monitor Head - Rotation**
Monitor rotation adjustment
3. **Monitor Locking Lever**
Locks the AHM arm at a desired height
4. **Counter Balance**
Used to adjust for zero movement
5. **Extension Arm***
6" extension arm shown
6. **Mounting Adapter**
MON adapter shown for MRS rail
7. **Monitor Head - Tilt**
Tilt adjustment handle
8. **Cable Management**
Manages the cables for better organization



Installation Tools

-  Hex Keys (1/8", 3/16", M3, M4) - 1
-  Phillips Head Screw Driver
-  Adjustable Wrench
-  Socket Wrench (12 mm, 1/2") - 1

* If requested

1. Installation to Structure

4x 1/4-20 SET SCREWS
USE 1/8" (3 mm)
USE HEX KEY TO TIGHTEN

STANDARD MON ADAPTER

SET SCREWS (3 mm)

MRS RAIL

WARNING: Never attempt to mount or remove the AHM ARM from the rail when a MONITOR is installed.

WARNING: Support AHM ARM until the SET SCREWS are tightened, AHM ARM can slide down when SET SCREWS are not tightened.

2. Installation to Monitor

INSERT 4x SCREWS THROUGH THE M4 MOUNTING HOLES INTO BACK OF THE MONITOR

M4 MOUNTING HOLE

* LCD mount shown, for other monitor styles, refer to the manual.

Adjustable Height Monitor (AHM) Arm Quick Installation and Adjustment Instructions



3. Rotation (AHM Side-to-side)

TO ROTATE AT THE FIRST AHM ARM

ROTATE END POINT*

TO ROTATE AT THE SECOND AHM ARM

ROTATE MID POINT

⚠ WARNING: In AHM ARM(s) with extensions, both AHM ARM(s) have a 180° rotation. Ensure proper clearance around the AHM ARM(s) to avoid collision.

*If applicable

4. Head Tilt

TO LOOSEN

TO TIGHTEN

USE 4 mm HEX KEY TO LOOSEN THE HANDLE

12 mm HEX NUT FOR HEAVY DUTY OR TAMPER-PROOF APPLICATIONS

⚠ WARNING: Be sure to support the MONITOR if adjusting the tilt angle while the MONITOR is mounted.

LOOSEN LEVER

ADJUSTMENT LEVER

⚠ WARNING: Never attempt to tilt without first loosening the HANDLE.

5. Rotation (Monitor Head Side-to-side)

STRAIGHT HEAD

ROTATED HEAD

⚠ WARNING: Do not adjust the ROTATION TENSION BOLT. It will disassemble from the AHM ARM.

6. Height Locking Lever Adjustments

INSERT HEIGHT LOCKING LEVER

HEIGHT LOCKING LEVER: ROTATE COUNTER-CLOCKWISE TO RELEASE, ROTATE CLOCKWISE TO LOCK.

To adjust the AHM ARM height, always be sure to loosen the HEIGHT LOCKING LEVER first.

7. Counter Balance

HEIGHT LOCKING LEVER
COUNTER-BALANCE BOLT (1/2")

Loosening or tightening the COUNTER-BALANCE BOLT will adjust the resistance of the AHM ARM.

COUNTER-BALANCE BOLT (1/2")
OPENING TO THE COVER

When properly counter-balanced, the AHM ARM should remain in neutral position when unlocked.

NOTE: Do not over rotate the COUNTER-BALANCE BOLT. Once you feel resistance, stop counter-balancing. Forcing the COUNTER-BALANCE BOLT will damage the internals of the AHM ARM and void the warranty.

LIGHT LOAD

ADJUST AFTER ALL DEVICES ARE MOUNTED

HEAVY LOAD

COUNTERBALANCE ADJUSTMENT

⚠ WARNING: KICK-BACK MOTION: when the AHM ARM is locked and not in the highest position, it is capable of rapidly lifting to the highest position once the HEIGHT LOCKING LEVER is released.

Rapid Lifting (Kick Back)

8. Cable Management

Insert cables into CABLE GUIDE, then squeeze the CABLE GUIDE and press onto the bottom of the AHM ARM.

CABLE GUIDE → BOTTOM SIDE OF CABLE COVER

GROOVES

BOTTOM SIDE OF THE AHM ARM

CABLE COVER

CABLE GUIDE

BOTTOM SIDE OF THE AHM ARM