

# General Room Accessories

## Barcode Dock Mounts



Part Number: BARCDHLD2-M



Part Number: BARCDHLD2-V



Part Number: BARCDHLD2-LCD

### Compatible with

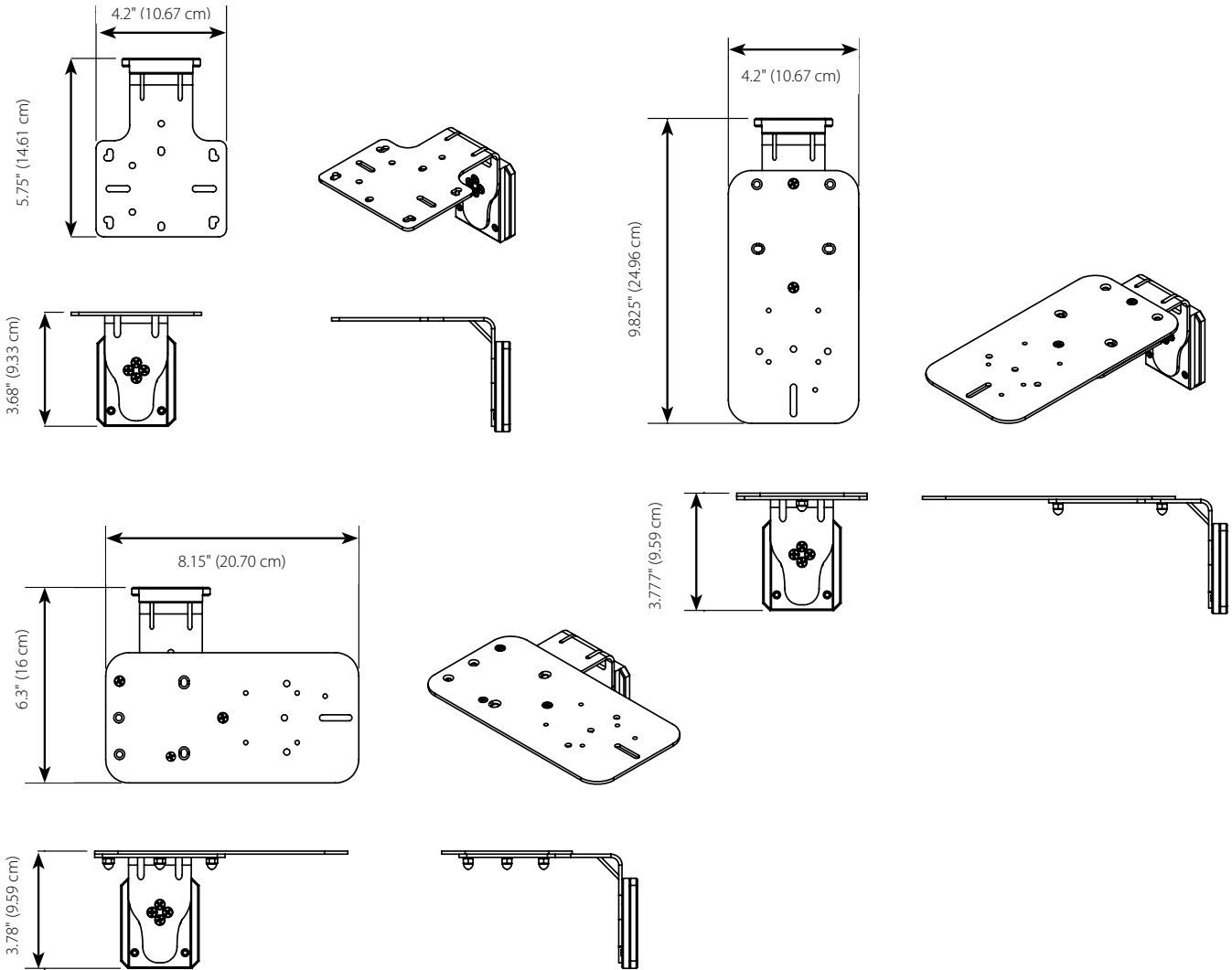
- Code Reader CR2600 and other scanners using the CRA-A101/A104 charging base
- Honeywell 3820, 4620, 4820, 5620 and other scanners using the Honeywell 2020 charging base
- Honeywell Xenon 19xx series and other scanners using the CCB01-010BT charging base
- Honeywell Granit 19xx series and other scanners using the CCB02-100BT charging base
- Motorola Li4278, Symbol LS4278 and other chargers using the STB4208-C000-7R, STB4208-C0001R or STB4208-C0001WR charging base
- Zebra Barcode Scanners and cradles including Ultra-Rugged XX3678 cordless scanner, STB3678, FLB3678 industrial scanner cradle; Healthcare DCR8178-PC, DCR8178-SC cradle, DS457 Series and MiniScan MS954 Fixed Mount Barcode Scanner
- Datalogic Magellan 3450VSi, 3410VSi, 34XXVSi cradle, Gryphon WLC4190, WLC4090 wireless charging base for GBT4500-HC, GPS 4400 2D stand, Heron Family Handheld Scanner stand and AutoSense Flex stand

### Features

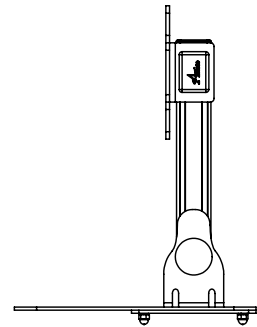
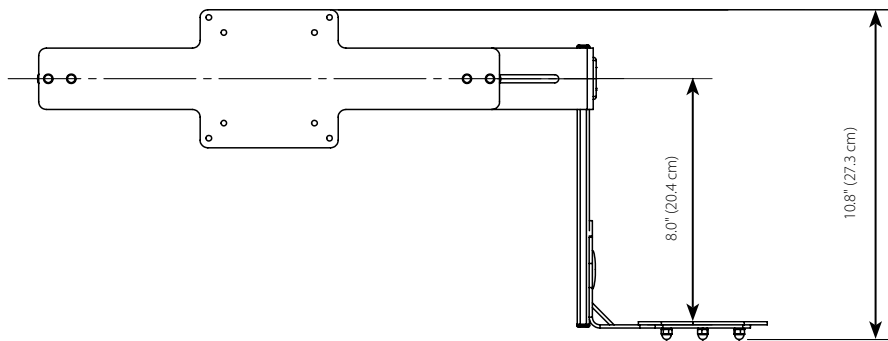
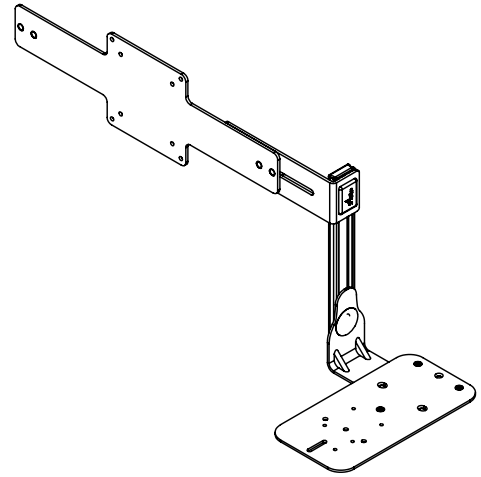
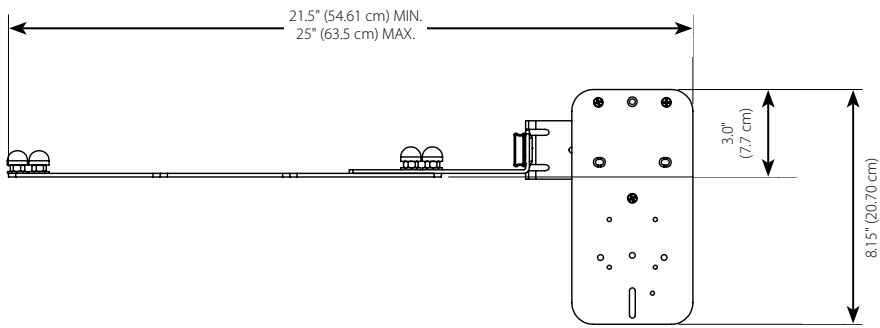
- Rail mounting or LCD VESA plate mounting options available
- Compatible with a variety of barcode scanner and charger bases
- Supported barcode scanner bases can be mounted in different orientations
- Expansion plate for additional width support included
- Compatible with two (2) cradle styles: upright (vertical) or horizontal

### Specifications

- 3.2" x 4.2" (8.13 cm x 10.67 cm) (L x W)
- 8.15" x 4.2" (20.70 cm x 10.67 cm) optional plate (L x W)
- Slots for use with four (4) M4 screws



**NOTE:** \*Monitor rail (-MRS/-MON) configuration shown above.



**NOTE:** \*LCD (-LCD) configuration shown above.

# Accessories



## Power Bar



- Hospital grade, 4 power outlets
- 120 VAC, 60 Hz

Part Number: PWRBAR4-MON

## Power Holder



- Holds most power adapters for PCs, patient monitors, and LCDs

Part Number: PWRHLD-MON

## Cord Wrap



- Ideal for managing wires and cords

Part Number: CORDWRAP

## LCD Handle



- Ergonomic handles can be added to any Amico LCD mount
- Knuckle guard protects walls and user's hands

Part Number: MON-LCD-HANDLE

## Monitor Channel



- Standard wall channel 34" (86.3 cm)
- Meets seismic requirements
- Custom lengths are welcome

Part Number: MRS-S034

## Channel Covers



- Easy way to hide wires
- Available in patterns and colors to match any decor

Call for part number.

## Wire Baskets



10" W x 6" D x 9" H  
(25.4 cm x 15.24 cm x 22.86 cm)  
White Wire Basket  
Part No: 100609-MON-BB



13" W x 9" D x 7" H  
(33.02 cm x 22.86 cm x 17.78 cm)  
BP Cuff Basket  
Part No: CUFBASK-MON

All baskets can be sterilized.

## Printer Mounts



- Mounts most portable printers to conveniently print at the bedside

## CPU Mounts

- Available Sizes:



1.5" - 3" (3.81 cm - 7.62 cm)  
Part No: CPUMNT1-MON

1.5" - 7" (3.81 cm - 17.78 cm)  
Part No: CPUMNTA-MON

7" - 9.5" (17.78 cm - 24.13 cm)  
Part No: CPUMNT4-MON

- Thin client mount behind LCD



10" x 10" x 1.75"  
(25.4 cm x 25.4 cm x 4.45 cm)  
Part No: MON-LCD-CPUMNT-SM

10" x 10" x 3"  
(25.4 cm x 25.4 cm x 7.62 cm)  
Part No: MON-LCD-CPUMNT

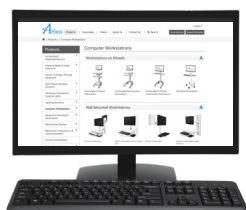
- Enclosed CPU mount



- Tangent rugged mini mount



Please visit [www.amico.com](http://www.amico.com) for all technical specifications, installation instructions, detailed AutoCAD drawings, and more Mounting Solutions.



Distributed By:

