

Installation Instructions

Light-duty Monitor Arm (LMA)



Preface

IMPORTANT, PLEASE READ CAREFULLY

Thank you for your purchase with Amico Accessories Inc.

This unit is designed for long lasting performance, provided that the end user complies with assembly and maintenance procedures. This Instruction Manual is your guide to ensure that you get the best performance out of the equipment. Amico Accessories Inc. is not responsible for any damage as a result of (but not limited to) abuse and other problems that may be a direct or indirect result of failure to comply with the instructions provided in this manual.

Please Note These Key Words and Symbols:



WARNING Steps where extra care should be taken to prevent injuries and damage.

NOTE Steps that point out helpful information.

Medical Facility Responsibilities

Preventive maintenance checks must be performed regularly to maintain the quality and performance of this product. Any parts that may be broken, missing, worn, distorted or contaminated in any way should not be used and all affected parts should be replaced immediately. Should the necessity of any repair be suspected, please contact your local distributor or call 1.877.264.2697.

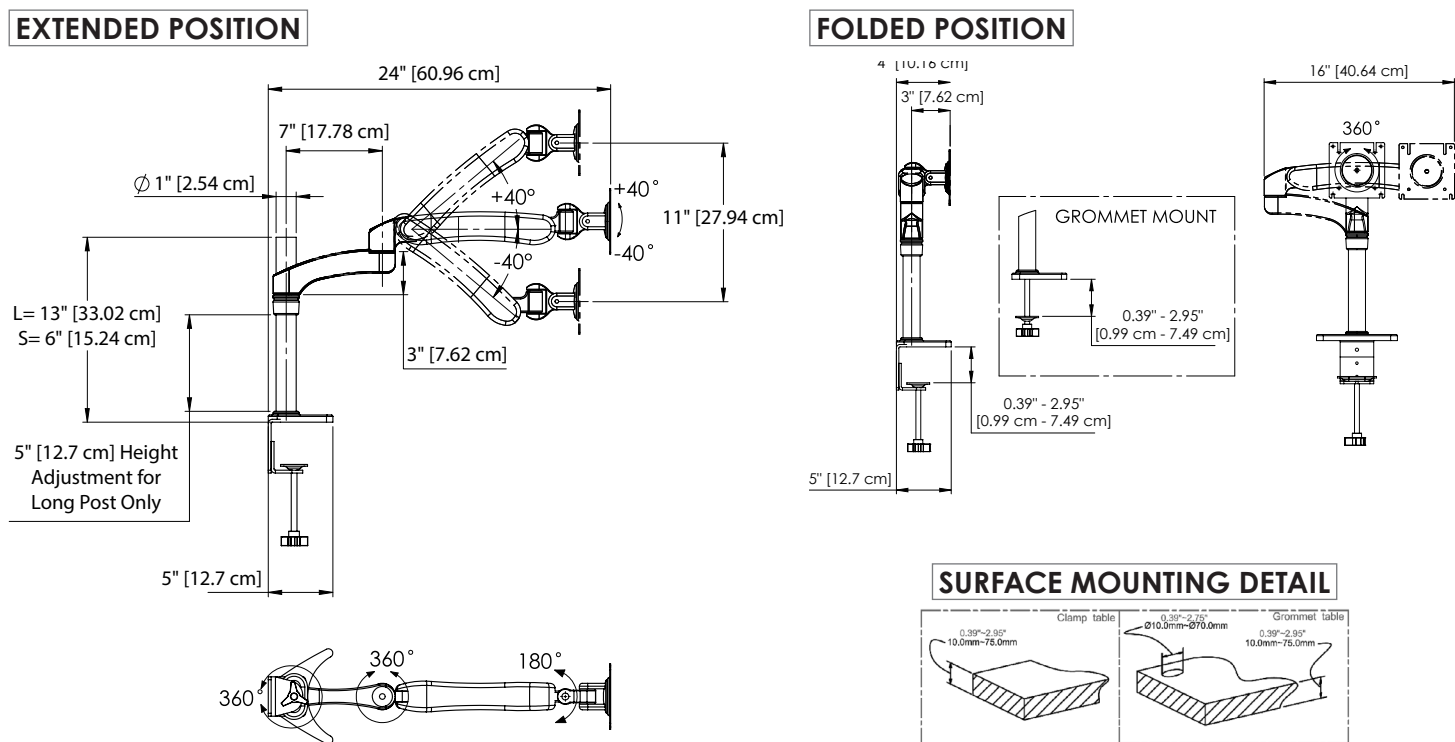
Contents

Section 1: Product Specifications	4
Section 2: Installation Preparation	5
Section 3: Installation on Mounting Platform	
Mounting to MRS (Monitor Rail System)	6
Mounting to VRS (Vertical Rail System)	7
Mounting on the Wall	8
Mounting on the Desk: Clamp Mount Assembly	9-10
Mounting on the Desk: Over Existing Grommet	10-11
Section 4: Device Installation	
Device Configuration Recommendations	12
Cable Management	13
Section 5: Adjustments	14
Section 6: Maintenance And Troubleshooting	
Preventive Maintenance	15
Troubleshooting	15
Cleaning	16
Section 7: Product Classification	17
Warranty	18
Notes	19

SECTION 1: Product Specifications

Features


- Ideal for applications where only occasional adjustment is needed
- Available with or without extension
- Ideal for monitors 8-17 lbs (3.6-7.7 kg)
- Cable management made easy
- Screens can be mounted in landscape or portrait orientation
- Multiple mounting options available





SECTION 2: Installation Preparation


Installation, Tools and Part Requirements


- HEX key sizes: 2.5 mm; 1/8" (3.2 mm), 5 mm; 6 mm
- Philips Head Screwdriver size: #3
- 1/2" (12.7 mm) Socket wrench


 **WARNING** It is the installer's responsibility to ensure all components are properly assembled and installed using the provided instruction manual.


 **WARNING** Using improperly sized screws may damage your display. If spacers are required, be sure to use correctly sized screws. Properly sized screws will easily and completely thread into the display mounting holes.

 **WARNING** Exceeding weight capacities can result in severe personal injury or damage to equipment. It is the installer's responsibility to ensure the combined weight of all components does not exceed the weight capacity of 8-17 lbs (3.6-7.7 kg).


 **WARNING** Allowing any part of the component cables to be caught between movable parts can result in serious personal injury or damage to equipment.

 **WARNING** The arm will spring upward and may cause personal injury or equipment damage when the monitor is removed, due to the change in weight. Secure the arm first by lifting the arm to be in the fully UP position when monitor is removed.


 **WARNING** The mounting platform must be strong and stable enough for supporting the monitor as well as the arm.

 **WARNING** Verify that rails have been installed in accordance with Amico rail installation instructions. Rail failure with mounted devices can cause serious injury and equipment damage.

 **WARNING** Do not position the LMA above a patient.

 **WARNING** It shall be the responsibility of the hospital, its consultants and/or contractors to determine if the mounting surface is adequate to safely mount the specific instrument. This includes the selection of appropriate fasteners and the proper installation, REGARDLESS OF WHAT IS SUPPLIED WITH YOUR LMA. See rail instructions for specific wall channel guideline information.

 **WARNING** DO NOT attempt to mount/remove the LMA from the rail when loaded with any instrument.

 **WARNING** To prevent mounting adapter from sliding down the rail, ensure that all set screws are fastened to the tightest possible position. Serious injuries could result if the set screws are not properly fastened.

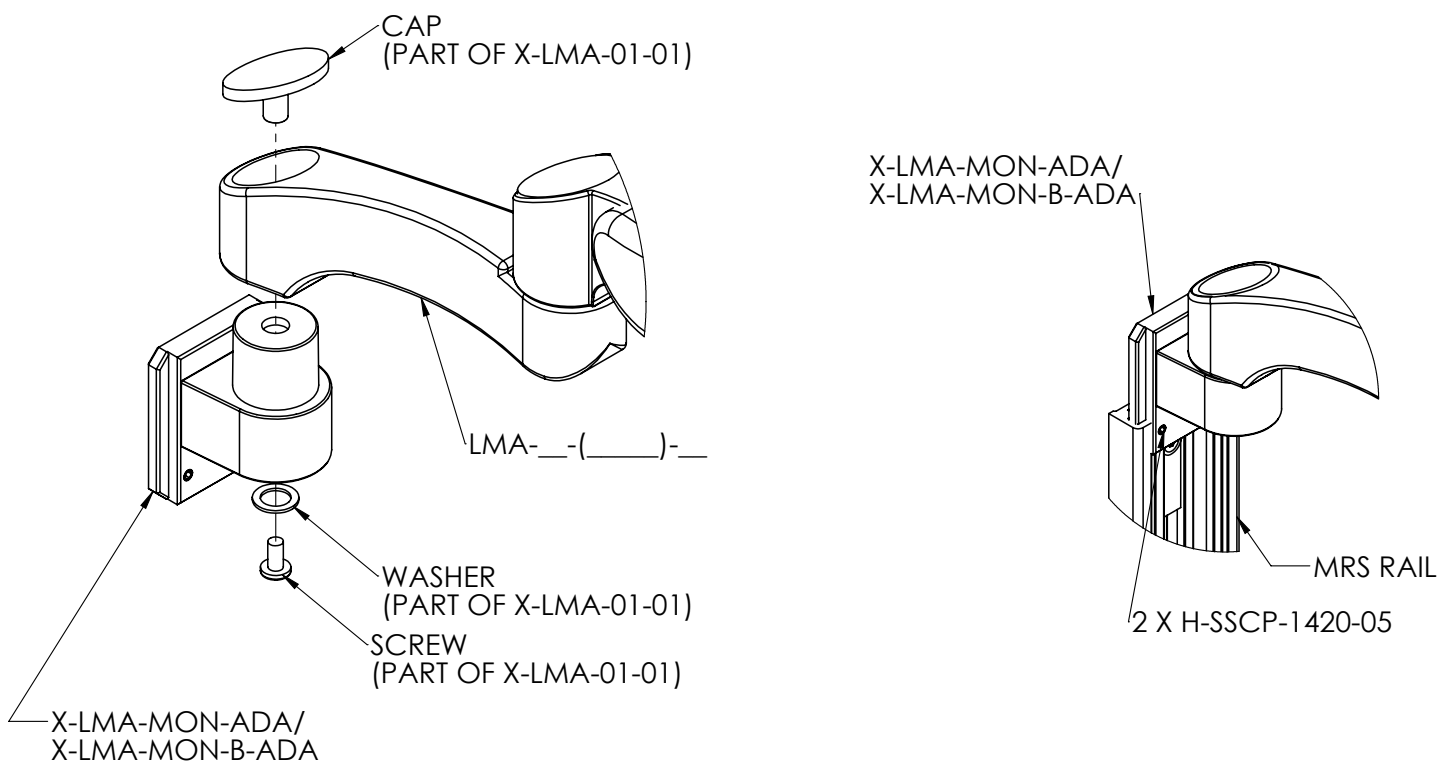
Contact Amico Accessories Inc. to discuss solutions not covered in this manual at 1.877.264.2697

SECTION 3: Installation on Mounting Platform

Mounting to MRS (Monitor Rail System):

1. Assemble LMA to X-LMA-(MON/MON-B)-ADA by placing LMA onto X-LMA-(MON/MON-B)-ADA and securing with the screw through washer, X-LMA-(MON/MON-B)-ADA, LMA, and into cap, using #3 Philips head screwdriver (as shown in the figure on the left below).
2. Slide X-LMA-(MON/MON-B)-ADA into the MRS rail (as shown in the figure on the right below).
3. Once the arm is positioned at the desired height, tighten two of the parts labeled H-SSCP-1420-05 in the diagram below with a 1/8" (3.2 mm) HEX key.

Figure 1



SECTION 3: Installation on Mounting Platform

Mounting to VRS (Vertical Rail System):

1. Remove the top X-GTA-KNOB/X-GTA-KNOB-B and the attached HR-CONV-PIN (**Figure 2**).
2. Place LMA-__-(____)-__ onto X-LMA-VRS-ADA/X-LMA-VRS-B-ADA and secure by inserting screw (part of X-LMA-01-01) through: washer (part of X-LMA-01-01), X-LMA-VRS-ADA/X-LMA-VRS-B-ADA, LMA-__-(____)-__, and into cap (part of X-LMA-01-01) (**Figure 2**).
3. Replace the top HR-CONV-PIN and X-GTA-KNOB/X-GTA-KNOB-B (**Figure 2**).
4. Turn two X-GTA-KNOB-X-GTA-KNOB-B to loosen two HR-CONV-PIN. Tilt and guide the two HR-CONV-PIN into the opening of the VRS rail (**Figure 3**).
5. Ensure the flange on the X-SSM-VERT-ADA is properly aligned with the rail. Position to desired height before tightening two X-GTA-KNOB/X-GTA-KNOB-B (**Figure 3**).
6. Lock the two X-GTA-KNOB/X-GTA-KNOB-B with two H-1420-LNUT-NYL using a 1/2" (12.7 mm) socket wrench and cover with two H-CAP-14-B (**Figure 3**).

Figure 2

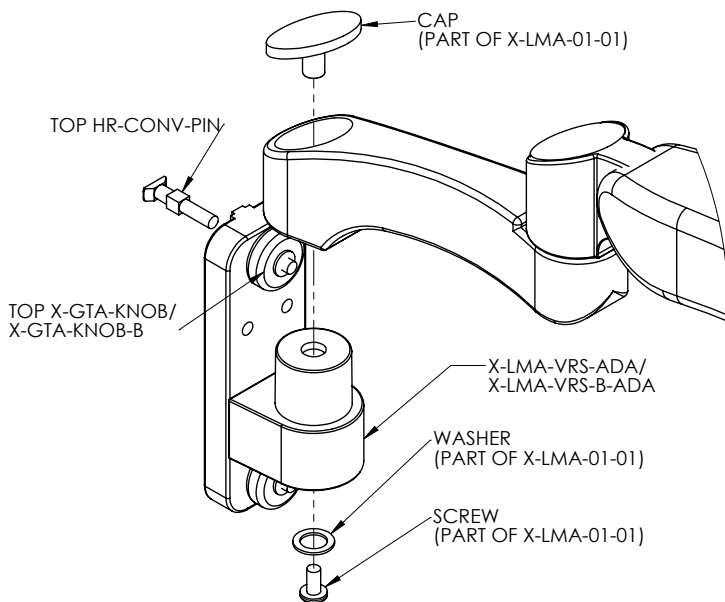
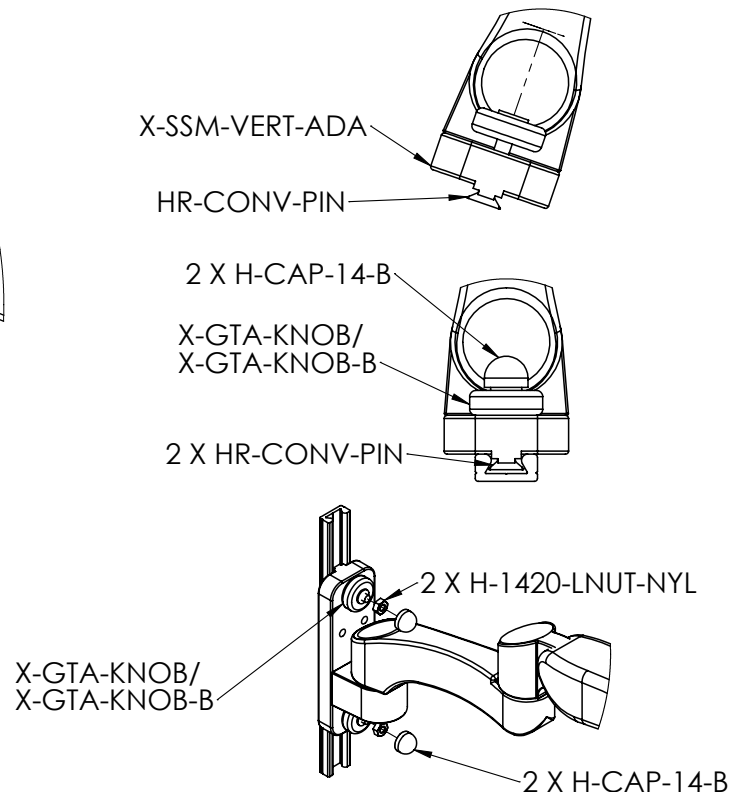


Figure 3



SECTION 3: Installation on Mounting Platform

Mounting on the Wall

1. Drill a 1/2" (12.7 mm) hole at the desired mounting height. Hold metal channel of H-SNPTOG-1420 flat alongside plastic straps and slide channel through hole. Minimum clearance behind the wall is 1-7/8" (47.6 mm). See **Figure 4.1**.
2. Hold ends of straps between thumb and forefinger and pull toward you until channel rests flush behind the wall. Slide plastic cap along straps with other hand until flange of cap is flush with the wall. See **Figure 4.2**.
3. Snap straps at wall by pushing side to side and snapping off straps level with flange of cap. See **Figure 4.3**.

*** Repeat steps 1 to 3 for the other hole on X-LMA-WAL-ADA ***

4. Place X-LMA-WAL-ADA over flange. Insert H-PHMS-1420-212 with #3 Philips head screwdriver and tighten until flush against item, then stop, as shown in **Figure 4.4**.
5. Assemble LMA to X-LMA-WAL-ADA by placing LMA onto X-LMA-WAL-ADA and securing with the screw through washer, X-LMA-WAL-ADA, LMA, and into cap, using #3 Philips head screwdriver (as shown in **Figure 5**).

Figure 4

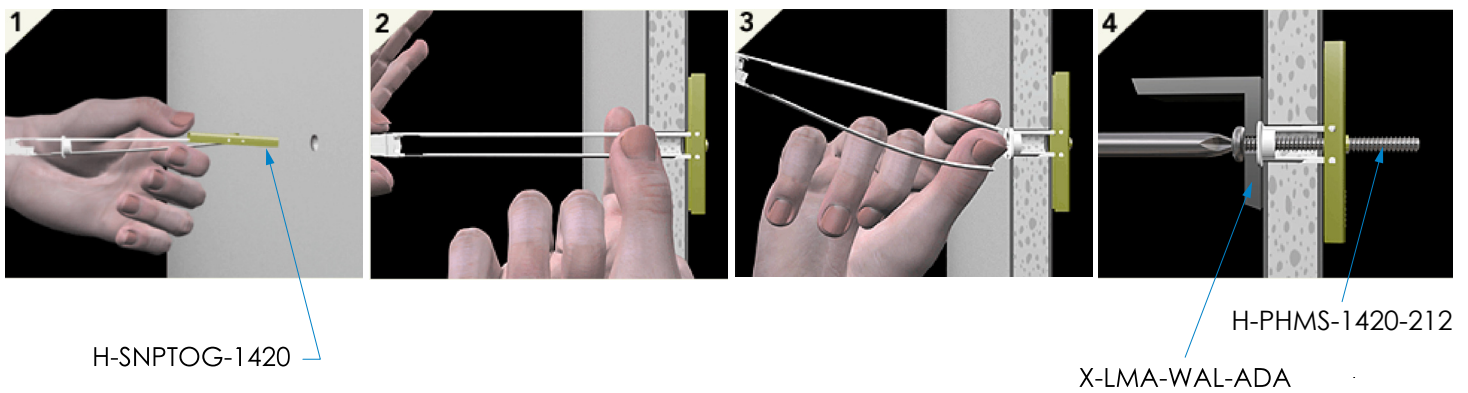
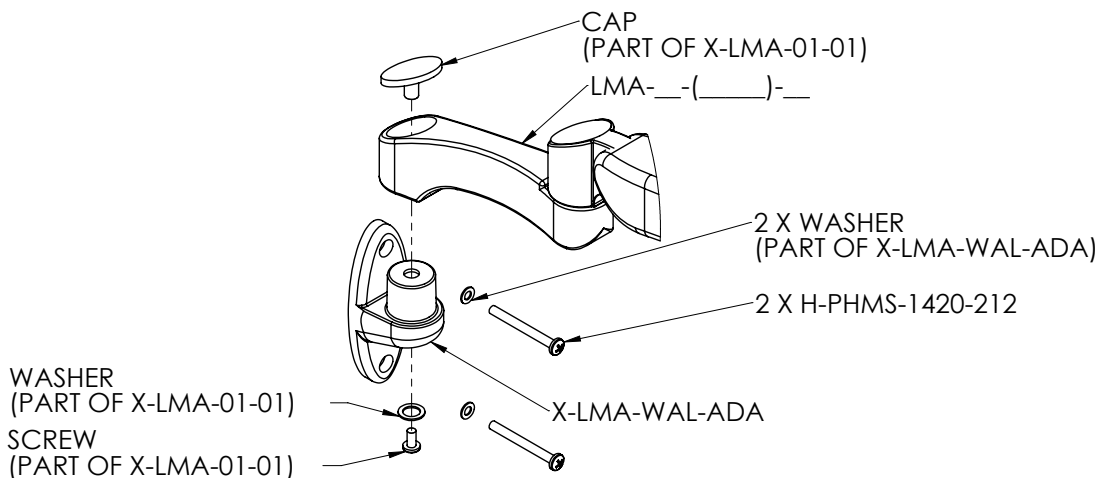



Figure 5



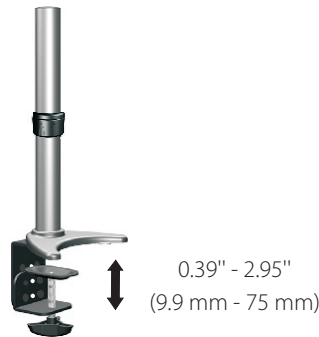
SECTION 3: Installation on Mounting Platform

Mounting on the Desk: Clamp Mount Assembly

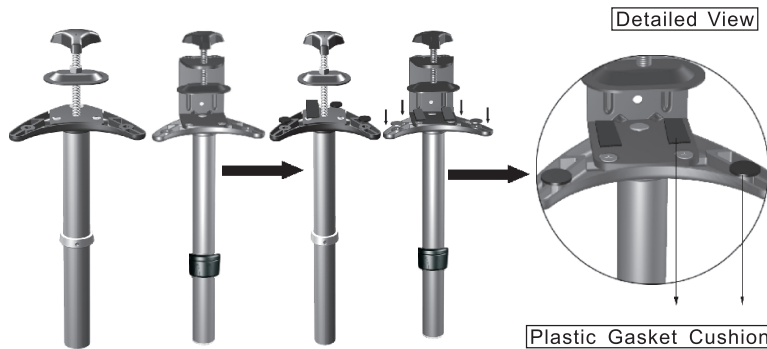
For Use With: LMA-__-DSK-L-__ / LMA-__-DSK-S-__

 **WARNING** It is recommended that the desk clamp be clamped to the side or rear of desktop surface. This assembly is suitable for square edged desks only. It is the user's responsibility to make sure the desk structure to which this clamp is attached can support the combined weight of all components.

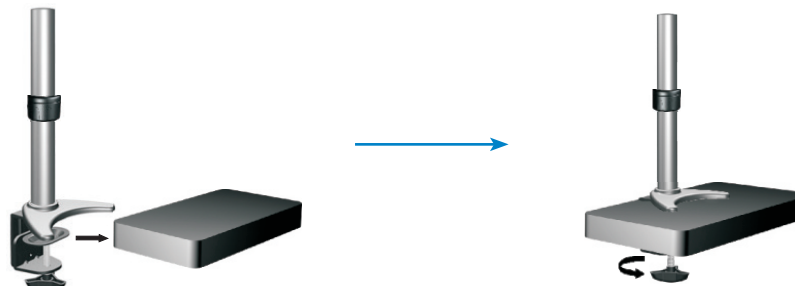
1. Adjust the height of the desk clamp to suit desktop surface.



2. Place the plastic gasket cushion as shown.



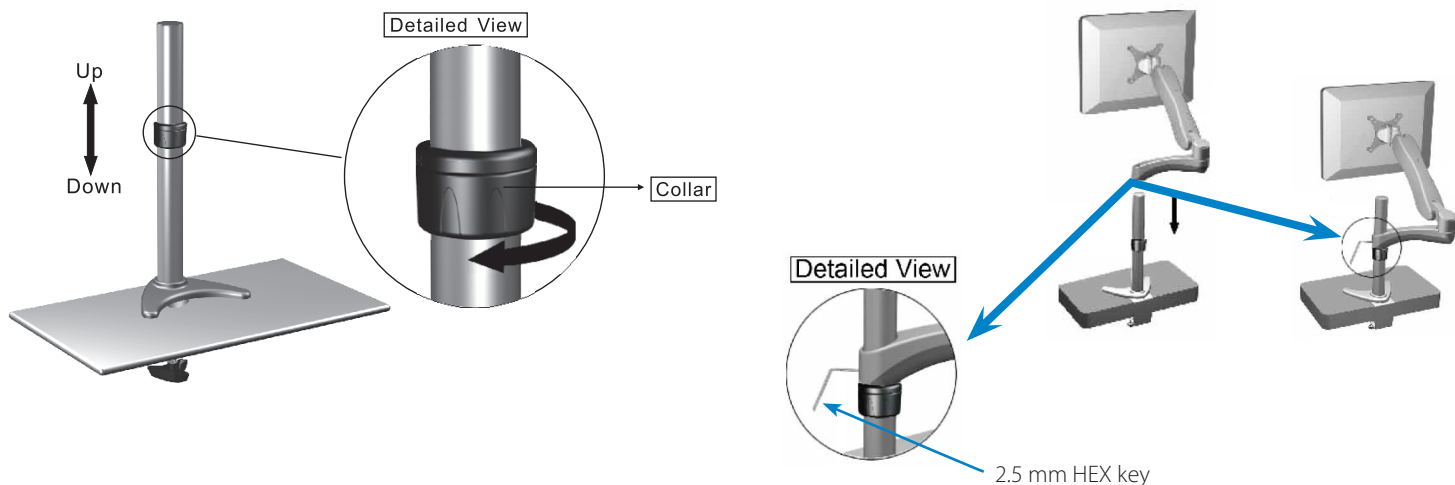
3. Place the desk clamp on top of the desk in the desired position and ensure the clamp opening is facing towards the edge of the desktop. Turn the handle to tighten by hand to ensure that the desk clamp fully contacts the desktop surface and is secure.



SECTION 3: Installation on Mounting Platform

Mounting on the Desk: Clamp Mount Assembly

- Loosen the collar and adjust the height as desired before installing and tightening the Light Monitor Arm.

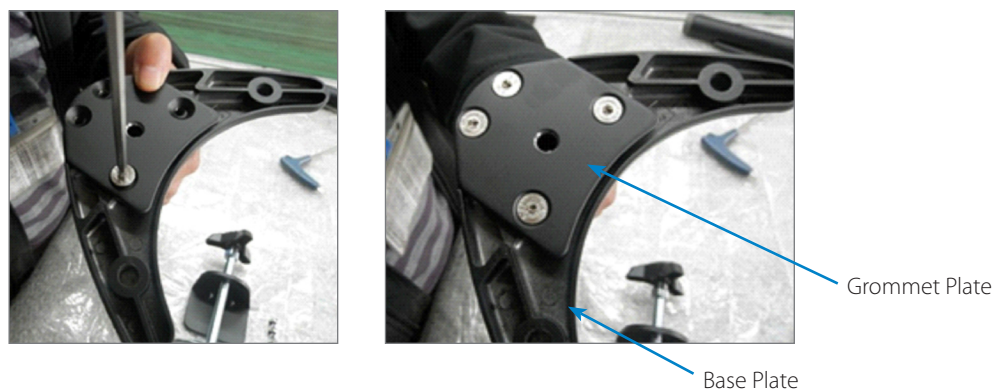


Mounting on the Desk: Over Existing Grommet

- Remove six screws from the existing plate.



- Secure the grommet plate to the base plate with four screws as shown below.



SECTION 3: Installation on Mounting Platform

Mounting on the Desk: Over Existing Grommet

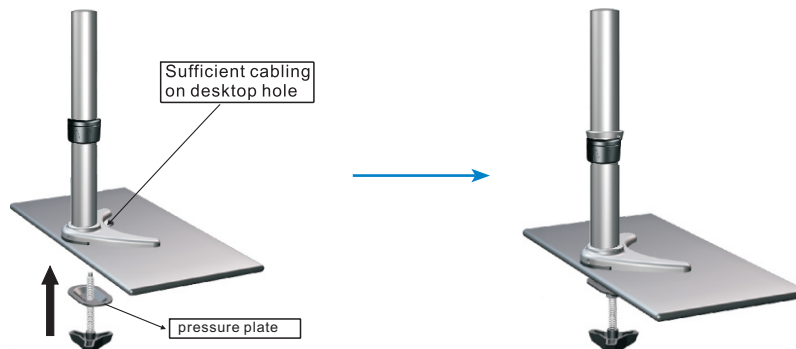
3. Remove the screw from the gripping plate as shown below.



4. Insert the gripping plate into bolt and tighten into base plate as shown below.



5. Unscrew the pressure plate and bolt from the base and sandwich desktop surface as shown. Turn and tighten by hand to ensure that the grommet clamp pressure plate fully contacts the desktop surface and is secure.



6. Refer to "Mounting on the Desk: Clamp Mount Assembly" step 4 on page 10 for collar adjustment and Light Monitor Arm installation

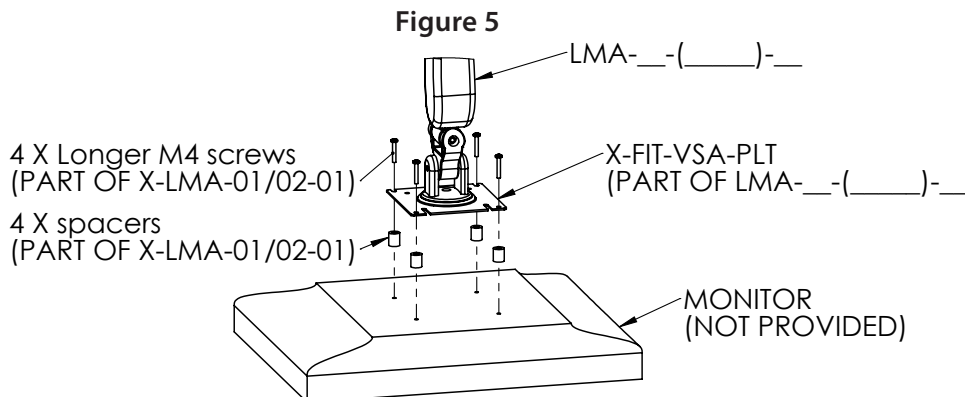
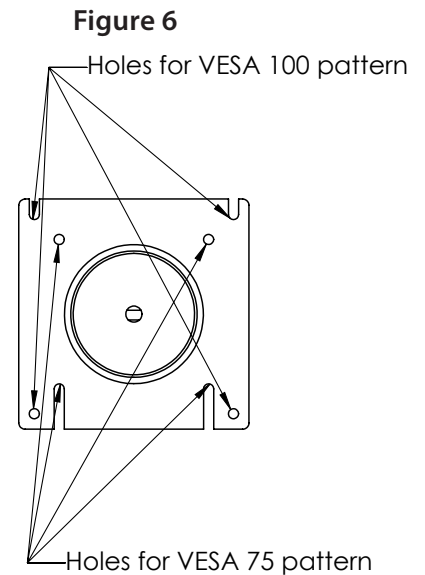
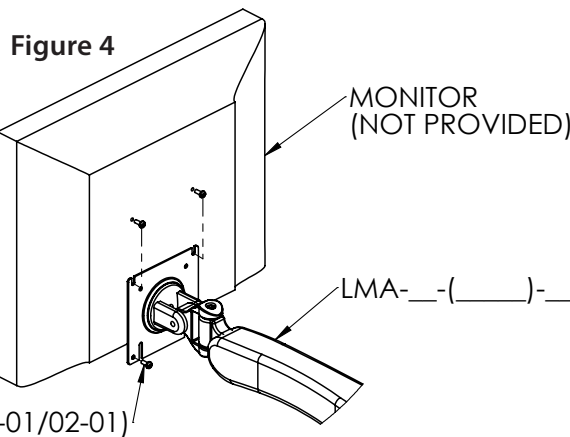
SECTION 4: Device Installation

Device Configuration Recommendations

1. Determine the monitor configuration and if spacers are required. The monitor configuration will be either VESA 75 (75 mm x 75 mm M4 thread) or VESA 100 (100 mm x 100 mm M4 threads).
2. For VESA 100 configuration: two M4 screws are partially threaded into the top two holes at the back of the monitor. The monitor can then be hung up on the X-FIT-VSA-PLT through the two slots at the top. Insert two more screws through the X-FIT-VSA-PLT 100 mounting holes at the bottom and tighten all screws (**Figure 4**).
3. For VESA-75 configuration: Rotate X-FIT-VSA-PLT so the two slots for the VESA-75 configuration are located at the top (**Figure 6**). Partially thread two screws into the top two holes at the back of the monitor. The monitor can then be hung up on the VESA head through the two slots at the top. Insert two more screws through the VESA-75 mounting holes at the bottom and tighten all screws (**Figure 4**).

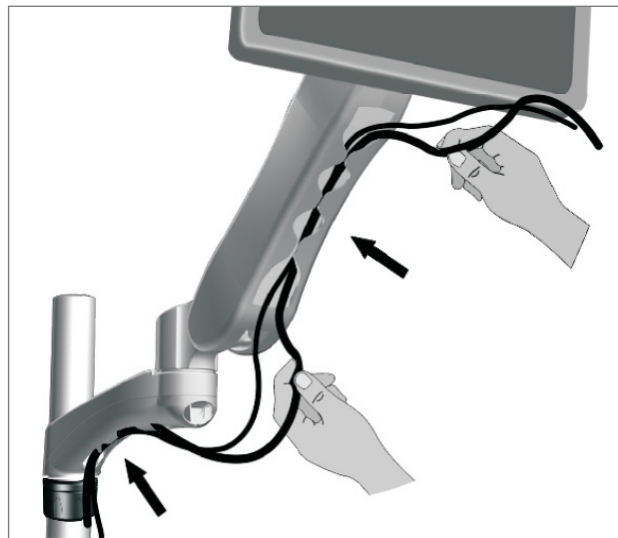
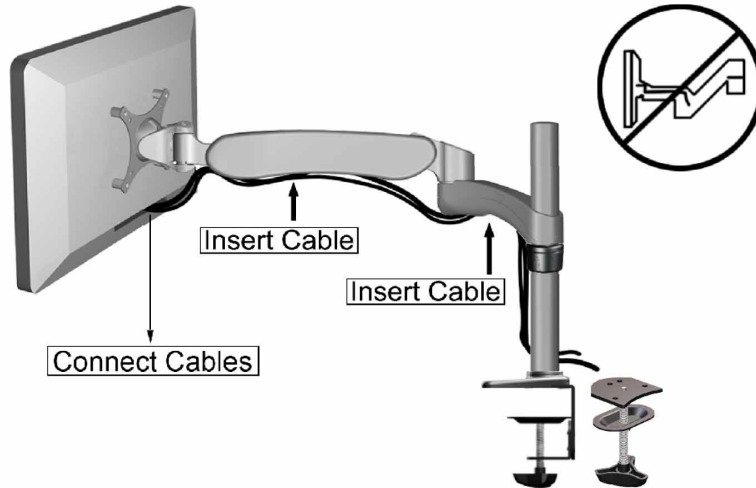
WARNING When removing the monitor, the monitor arm and the monitor should be placed at the highest position. Remove the two bottom screws from the VESA plate, loosen the top two screws and then lift the monitor off the VESA plate.

4. If spacers are required, for both VESA 75 and VESA 100 monitor configurations, place the monitor down on a protective surface. Align and tighten four longer M4 screws through X-FIT-VSA-PLT and spacers into monitor (**Figure 5**).



SECTION 4: Device Installation

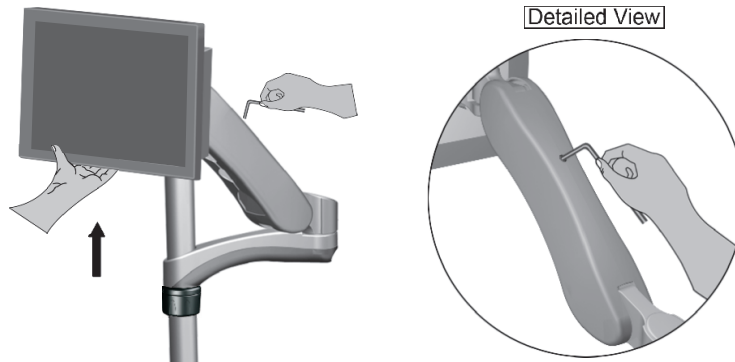
Cable Management



SECTION 5: Adjustments

Adjustment Procedure 1

1. Adjust the screw clockwise for heavier loads and counter-clockwise for lighter loads for counterbalance as shown in the detailed view below, with a 5 mm HEX key.

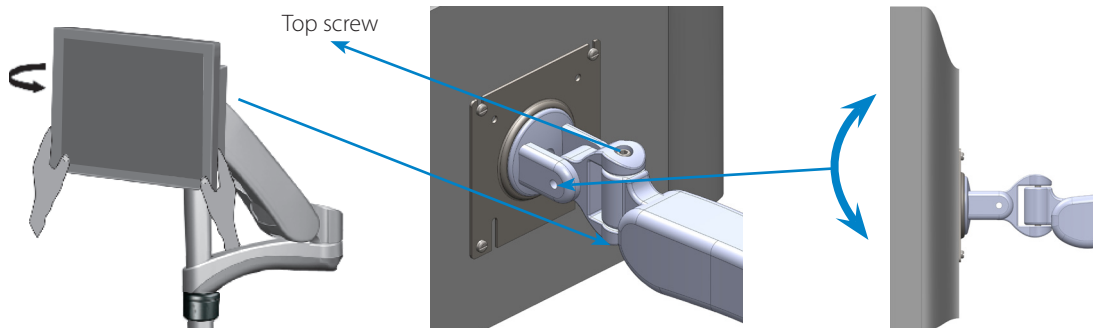


2. Tighten or loosen the appropriate screw as shown below to adjust the monitor's position accordingly. For swivelling, use a 5 mm HEX key. For tilting, use a 6 mm HEX key.



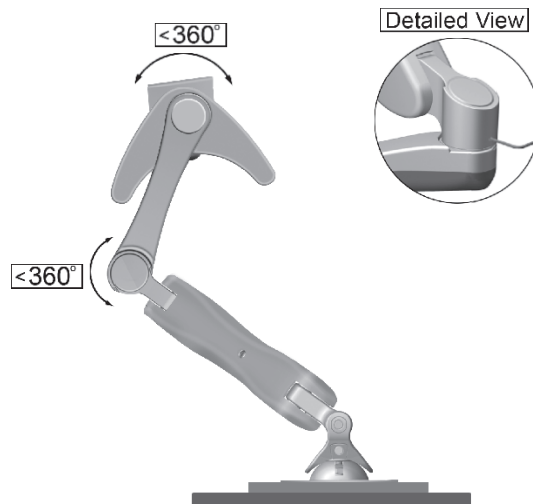
WARNING

Do not loosen top screw. Doing so may cause the head assembly to fall off.




Adjustment Procedure 2


1. To adjust the tension on the movement of the arm, tighten or loosen the screw in the appropriate joints as shown in the detailed view below using a 2.5 mm HEX key.



SECTION 6: Maintenance and Troubleshooting

Preventive Maintenance

 **WARNING** LMA requires periodic inspection and maintenance to perform optimally and achieve maximum operation life.

 **WARNING** The intervals shown are recommended. Maintenance schedules should be more frequent for higher use areas.

Area	Maintenance	Period (Month)
1	VESA Adapter <ul style="list-style-type: none"> • Check if the adapter plate and the monitor are securely attached. Ensure the four screws on the mounting plate(s) are fastened to the tightest possible position. • Visually inspect for any signs of grinding and gapping. 	4
2	MRS Rail Mount Adapter <ul style="list-style-type: none"> • Ensure the two set screws on the channel are fastened to the tightest possible position. 	1
3	Swivel Joint <ul style="list-style-type: none"> • Ensure screw on bottom of joint is fastened to the tightest possible position using a #3 Philips head screwdriver. • Ensure set screw at back of joint is tightened. Use a 2.5 mm HEX key to tighten as needed. 	1


Troubleshooting


Symptom	Possible cause	Solution
Too easy or too difficult to tilt the monitor up and down	<ul style="list-style-type: none"> • Excessively loosened or tightened hardware 	<ul style="list-style-type: none"> • Adjust respective screws to control the correct movement
Too easy or too difficult to utilize the portrait/landscape feature	<ul style="list-style-type: none"> • Weight of the monitor is not compatible with the arm 	<ul style="list-style-type: none"> • Please contact Amico Accessories Inc.
The entire arm is rocking slightly when in use	<ul style="list-style-type: none"> • Damaged hardware 	<ul style="list-style-type: none"> • Please contact Amico Accessories Inc.
Length of the extension arm is at an angle	<ul style="list-style-type: none"> • Loosened/damaged hardware 	<ul style="list-style-type: none"> • Perform preventive maintenance • Check all screws are secured • Please contact Amico Accessories Inc.
Extension arm is not secure or it is rocking slightly		
Arm is too difficult to maneuver with the monitor	<ul style="list-style-type: none"> • Damaged extension arm • Weight of the monitor exceeds the load rating 	<ul style="list-style-type: none"> • Please contact Amico Accessories Inc.
Arm falls to the lowest position on its own when monitor is attached	<ul style="list-style-type: none"> • Counterbalance is not adjusted properly for devices 	<ul style="list-style-type: none"> • Adjust for the correct counterbalance • See section 4: adjustment procedure
Excessive gapping or angling at joints of arm	<ul style="list-style-type: none"> • Damaged hardware or other physical damage • Equipment is too heavy 	<ul style="list-style-type: none"> • Check device mounted for weight compatibility. If problem persists contact Amico Accessories Inc.

If the above solutions do not solve your symptoms or you are in need of parts/hardware, please contact Amico Accessories, 1.877.264.2697

SECTION 6: Maintenance and Troubleshooting

Cleaning

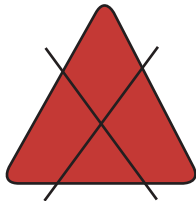
 **WARNING:** The cleaning chemicals and methods below are not meant for controlling any infections. It shall be the responsibility of the hospital or the hospital's infection control officer to sanitize the equipment.

 **WARNING:** Please do not spray any chemical directly onto the arm. Apply onto a soft cloth and wipe clean to prevent chemicals getting into the internal components of the arm.

The mounting assembly may be cleaned with most mild, non-abrasive solutions commonly used in the hospital environment (e.g. diluted bleach, ammonia, or alcohol solutions). The surface finish will be permanently damaged by strong chemicals and solvents such as acetone and trichloroethylene. Steel wool or other abrasive material should never be used.

Damage caused by the use of unapproved substances or processes will not be warranted. It is recommended that you test any cleaning solution on a small area of the LMA that is not visible to verify compatibility.

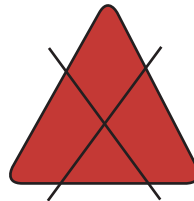
Never submerge the LMA and do not allow liquids to enter it. Wipe any cleaning agents off the LMA immediately using a water-dampened cloth. Dry the arm thoroughly after cleaning.



Acetone

No Acetone

Acetone is a colorless, mobile, flammable liquid



Trichloroethylene

No Trichloroethylene

Trichloroethylene is a chlorinated hydrocarbon commonly used as an industrial solvent.

SECTION 7: Product Classification

LMA - - - -01



01

With 7" (177.8 mm)
Extension

02

Without Extension



DSK-S

Grommet/Desk Clamp Mount, Short
6" (152.4 mm)



DSK-L

Grommet/Desk Clamp Mount, Long
13" (330 mm)



WAL

Direct Wall Mount



MON

Monitor Channel



VRS

Amico Vertical Direct Mount



Warranty Policy

Amico Accessories Inc. warrants all mounting accessories to be free from defects in material and workmanship for a period of twelve (12) months from the date of shipment. Within this period Amico Accessories Inc. will repair or replace any part which is proven to be defective.

Amico Accessories Inc. will warrant its materials to be free from defect for an additional period of four (4) years, five (5) years from the date of shipment. Within this period, Amico Accessories Inc. will replace any part at no charge, which is proven to be defective. Shipping and Installation costs after the first twelve (12) months will be borne by the customer.

This warranty is valid only when the product has been properly installed according to Amico Accessories Inc. specifications, used in a normal manner and serviced according to factory recommendations. It does not cover products that are not manufactured by Amico Accessories Inc. It does not cover failures due to damage which occurs in shipments or failures which resulted from accidents, misuse, abuse, neglect, mishandling, alteration, misapplication or damage that may be attributable to acts of God.

Amico Accessories Inc. shall not be liable for incidental or consequential damages resulting from use of equipment.

All claims for warranty must first be approved by Amico Accessories Inc. A valid Return Goods Authorization (RGA) number must be obtained from Amico Accessories Inc. prior to commencement of any service work. Warranty work, which has not been pre-authorized by Amico Accessories Inc., will not be reimbursed.

AMICO ACCESSORIES INC. DOES NOT HONOR VERBAL STATEMENTS CONCERNING THE WARRANTY.

The distributor and/or dealer are not sanctioned to create verbal warranties about the product described in this agreement. Any statements will not be honored or be made part of the agreement of sale. This document is the final complete and exclusive terms of the agreement.

THIS WARRANTY IS INCLUSIVE AND REPLACES ALL OTHER WARRANTIES.

Amico Accessories Inc. shall not, under any circumstances be liable for incidental or consequential damages including, but not limited to, profit, loss of sales or injuries to person(s) or property. Correction of noncompliance as noted above will result in completion of all liabilities of Amico Accessories Inc., whether based on agreement, neglect or changed materials, designs or specifications without notice.

All claims for warranty must first be approved by Amico Accessories Inc. Service Department: accessories@amico.com or 1.877.264.2697). A valid Return Goods Authorization number must be obtained from Amico Accessories Inc. prior to commencement of any warranty claim.

Notes

www.amico.com

Amico Accessories Inc. | www.amico.com

85 Fulton Way, Richmond Hill
Ontario, L4B 2N4, Canada

71 East Industry Court, Deer Park
NY 11729, U.S.A.

Toll Free Tel: 1.877.264.2697

Toll Free Fax: 1.866.440.4986

Tel: 905.763.7778

Fax: 905.763.8587

Email: info@amico.com