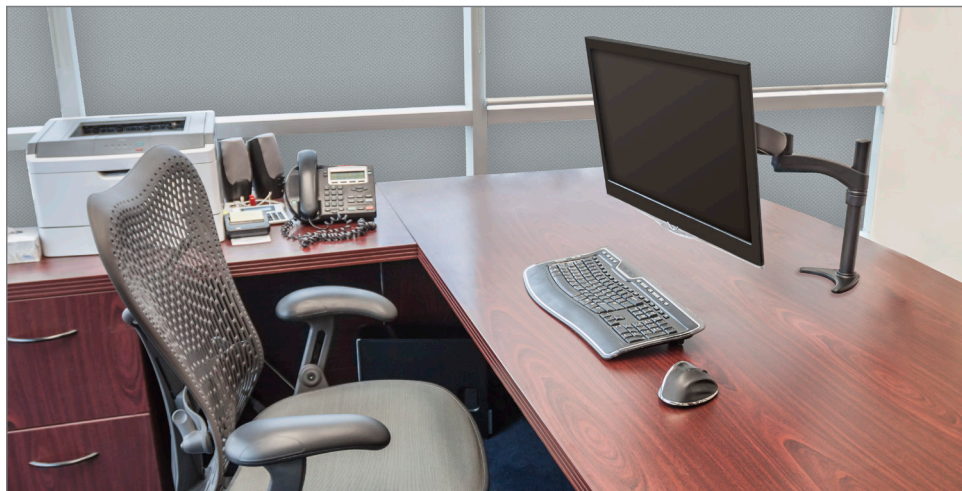


Monitor Arms



Light-duty Monitor Arm

Adjustable Height



Features:

- Ideal for applications where only occasional adjustment is needed
- With or without extension available
- Ideal for monitors 8-17 lbs (3.6-7.7 kg)
- Cable management made easy
- Screens can be mounted in landscape or portrait orientation
- Multiple mounting options: rail mount, channel mount and two desktop mounting options: clamp style or grommet mounted

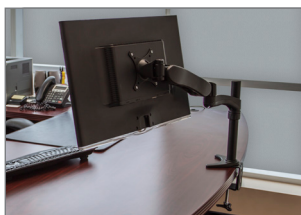
Part Number: LMA-01-DSK-L01



Rotation	Pan	Screen Size	Height Adjustment	Tilt
360°	180°	8-17 lbs (3.6-7.7 kg) 75x75 mm, 100x100 mm (2.95"x2.95", 3.94"x3.94")	11" (28 cm)	40°

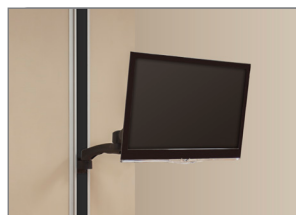
Mounting Options

Desktop Clamp Mount



- Clamping provides a secure, temporary attachment for LCD monitors to a desktop

MRS Channel Mount



- Mount to wall tracks, horizontally or vertically

Desktop Grommet Mount



- Permanent attachment of monitor arm to a desktop

Direct Headwall Mount



- Can be mounted to vertical rails on Amico headwalls

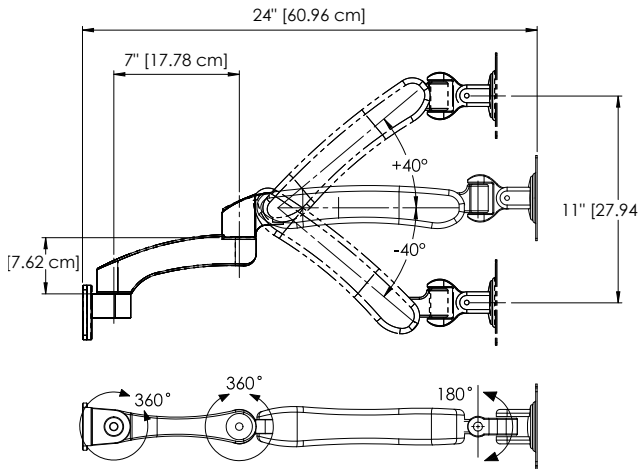
Dual Monitor Bracket



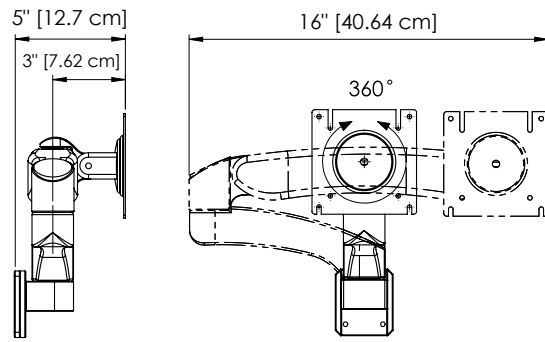
- Can hold 2 LMA arms on one central mounting adapter
- Can be added to any of the above mounting adapters

Schematic Drawings

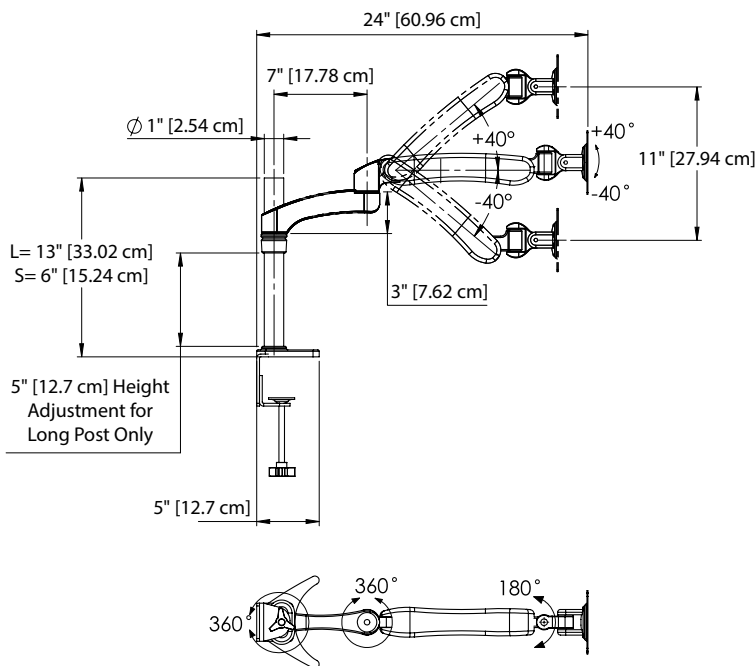
EXTENDED POSITION



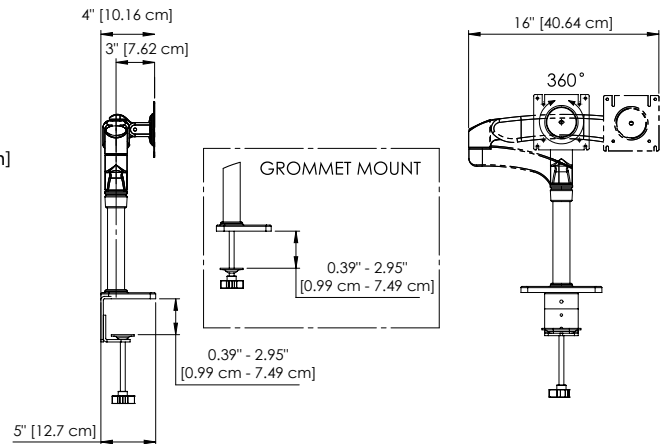
FOLDED POSITION



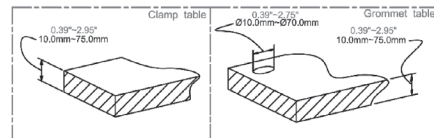
EXTENDED POSITION



FOLDED POSITION



SURFACE MOUNTING DETAIL



Please visit www.amico.com for all technical specifications, installation instructions, detailed AutoCAD drawings and more Mounting Solutions.



Distributed By:

