

## LSM Large Screen Mount **Adjustable**



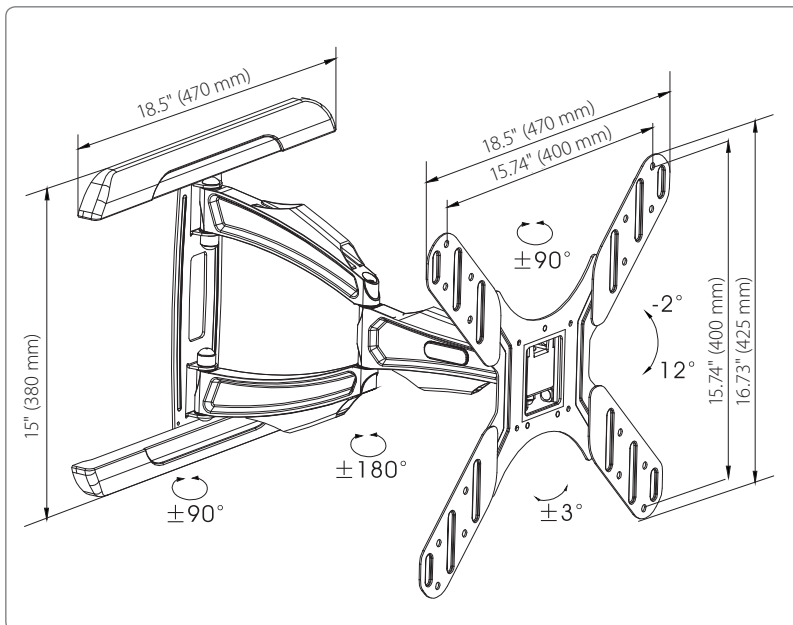
LSM-IC-3247

### Features:

- Durable construction makes it ideal for medical and clean room environments
- Quick and easy to install
- Can rotate and/or tilt to achieve optimal viewing angle
- Articulating arms to position TV/screen
- Integrated cord management
- Comes with extension plates for larger screens (shown)
- Decorative caps on wall plate for a finished look

### Specifications:

- Vesa 400 x 400
- Distance from the wall (folded to extended): 1.6" - 18.9" (40 mm - 480 mm)
- Product dimensions (folded): 18.5" x 16.7" x 1.6" (470 mm x 425 mm x 40 mm)
- Weight capacity: 66 lbs (30 kg)
- Tilt angle: -2° ~ 12°
- Swivel angle: -180° ~ +180°
- Colors available: black



### Distributed By:



Please visit [www.amico.com](http://www.amico.com) for all technical specifications, installation instructions, detailed AutoCAD drawings and more Mounting Solutions.

