

## Technical Specifications

### Display Mount

- Maximum recommended screen size 24" (61 cm) (without exceeding Worksurface width)
- Maximum screen weight (including VESA accessories) 22 lbs (10 kg)
- VESA MIS-D: 75 mm and 100 mm (optional adapter plates for other sizes) - slotted for easy installation

### Workflow

- Modular and flexible to accommodate changing workflows
- Compact size to accommodate limited space for storage
- Integrated keyboard, Worksurface, and base light for night-time use
- Wheels/Casters: 2x Free-moving, 1x Steering Assist, 1x Locking)
- Ergonomic design for reduced clinician fatigue

### Maintenance

- Designed to meet infection control and prevention standards using non-porous, easy to clean materials (Aluminum, steel, ABS plastic, Nylon)
- Use Caviwipes or other disinfectant wipes (no abrasives, solvents, or trichloroethylene)

### Ergonomics

- Independent display height adjustment, with tilt, pan, and rotate (**Figures 6-8**)
- Independent Worksurface height adjustment (**Figures 1 & 2**)
- Slide-out Keyboard Tray with Left/Right mouse, (**Figures 9 & 10**) or Ergonomic Keyboard Tray with Left/Right mouse, side-to-side, tilt, and height adjustment (**Figures 11-14**)
- Facilitates easy travel with ergonomic handles, low center of gravity, and 4x 5" (12.7 cm) casters (2x Free-moving, 1x Steering Assist, 1x Locking)

### Worksurface

- Large size, hard Worksurface, suitable for charting and medication preparation
- Spill guard capacity: 8 fl oz (236.6 ml)
- RFID integration with support for various protocols (optional)
- 2x Auxiliary USB 2.0 ports
- PC compartment fan (optional)
- Secure CPU storage section (**Figure 4**)
- Customizable surface label (optional)
- Sit-to-stand height adjustment range 13" (33 cm) (**Figures 1 & 2**)
- Programmable user settings (requires Electric Lift and Advanced Control Interface)
- Keyboard Light
- Worksurface Light (requires Advance Control Interface)

### Movement Ranges

- Display: Tilt +/-15° | Pan 180° | Rotate +/- 90°
- Display: Independent height adjustment: 6.5" (16.5 cm)
- Worksurface: Height range: 13" (33 cm)
- Worksurface: Height min: 35" (88.9 cm) | Height max: 48" (121.9 cm)
- Slideout Keyboard: In and Out 7" (17.8 cm)
- Ergonomic Keyboard: Tilt +20°/-10° | Pan 180° | Height 7.5" (19.1 cm) | In and Out 10" (25.4 cm)

### Control Interface - Standard

- Capacitive touch
- Controls workstation lights
- Indicates connection to power supply status

### Loads

- Display Mount including VESA accessories: 22 lbs (10 kg)
- Lift Column: 10 lbs (4.5 kg) - 50 lbs (22.7 kg) (optional capacities)

### Key Dimensions

- Maximum screen size: 24" (61 cm) (LCD models)
- Worksurface: 19.9" (50.5 cm) W x 14.5" (36.8 cm) L (**Figure 3**)
- Secure PC/Laptop compartment:
  - Section A: 9.5" (24.1 cm) W x 8.5" (21.6 cm) L x 2.6" (6.6 cm) H (**Figure 4**)
  - Section B: 4.5" (11.4 cm) W x 8.5" (21.6 cm) L x 3.2" (8.1 cm) H (**Figure 4**)
- Footprint: 20.3" (51.4 cm) W x 20.3" (51.4 cm) L (**Figure 5**)
- Ground clearance: 1.6" (4.1 cm)
- Wheels: 4 x 5" (12.7 cm) casters

### Storage Capacity

- Perch Storage Rail: 18" (45.7 cm) Width\*
  - Bump Storage Rail: 18" (45.7 cm) Width\*
  - Vertical Rail Column: 13" (33 cm) H rail on right and left side\*
- \*Consult with sales rep for load limits based on accessory and storage mounting requirements

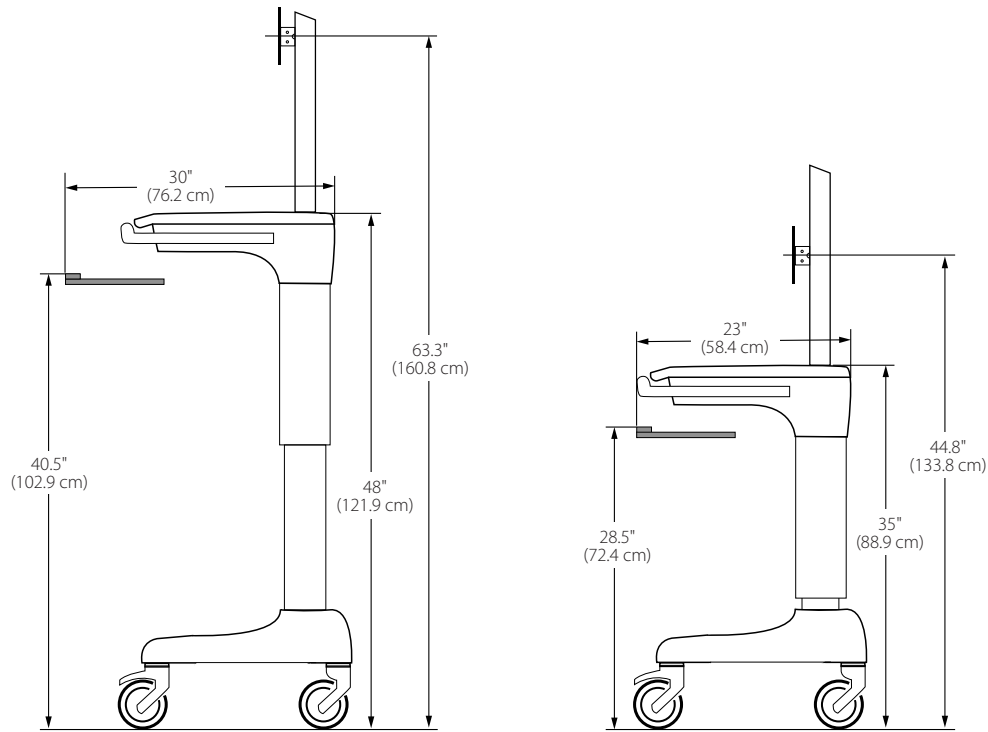
### Dimensions and Weights

- Shipped Dimensions: 24" (61 cm) x 24" (61 cm) x 60" (152.4 cm)
- Shipped Weight: 95 lbs (43.1kg)
- Actual Weight: 68.6 lbs (31.1 kg)

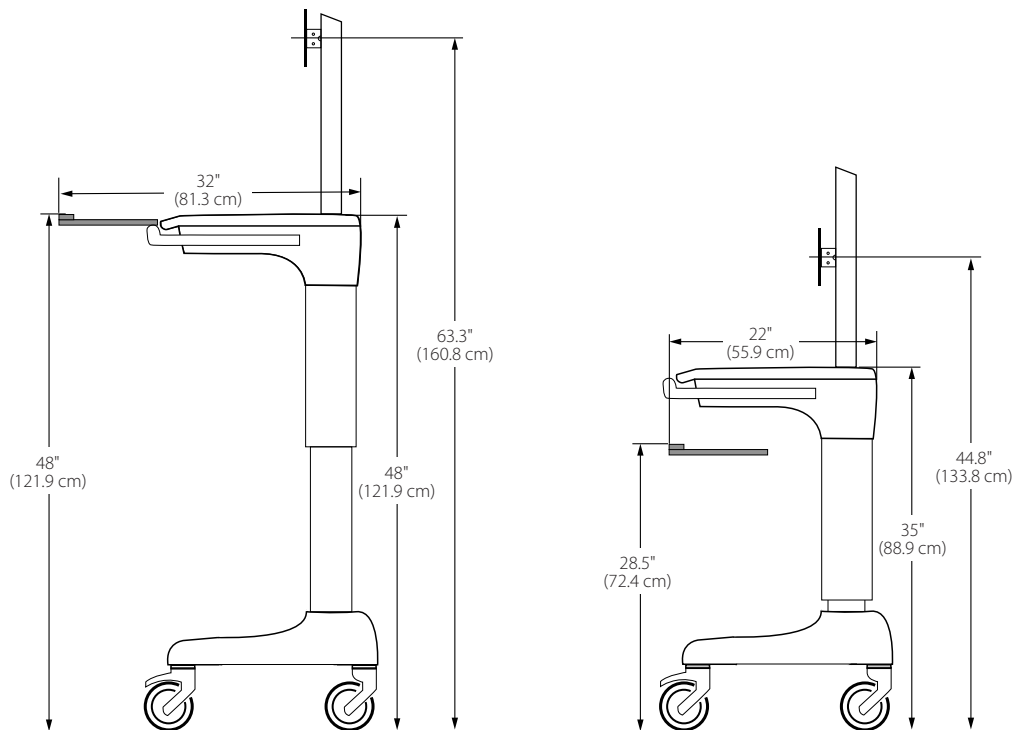
### Warranty

- 5-Year Warranty (excludes battery and power system)

# Dimensions and Movement Range

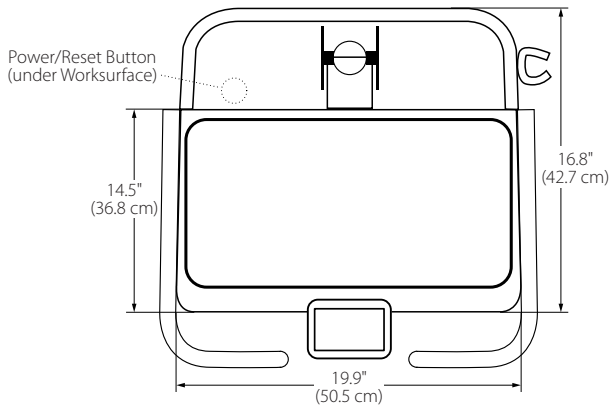


**Figure 1**  
Minimum and Maximum Positions with Slideout Keyboard

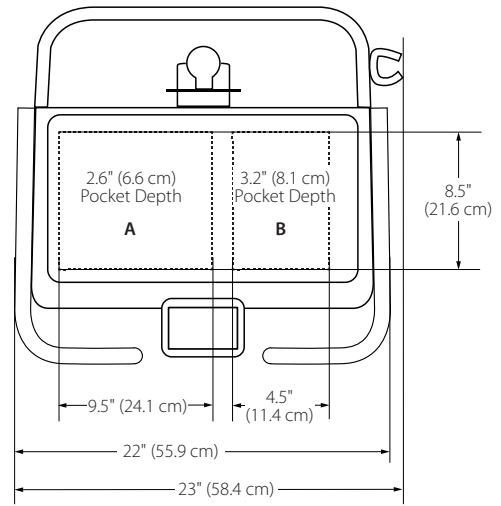


**Figure 2**  
Minimum and Maximum Positions with Ergonomic Keyboard

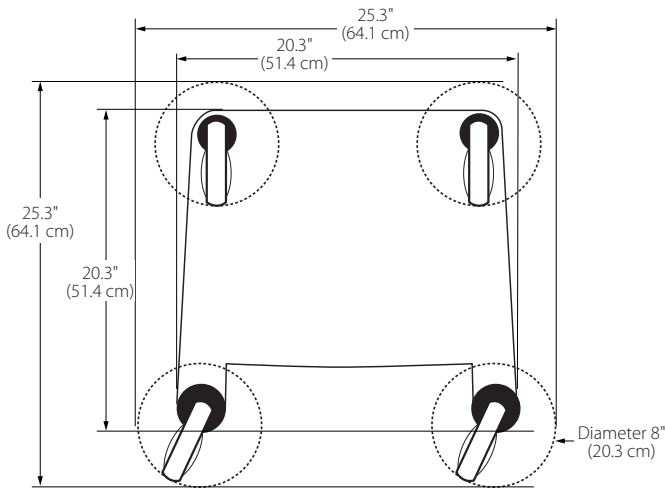
# Dimensions and Movement Range



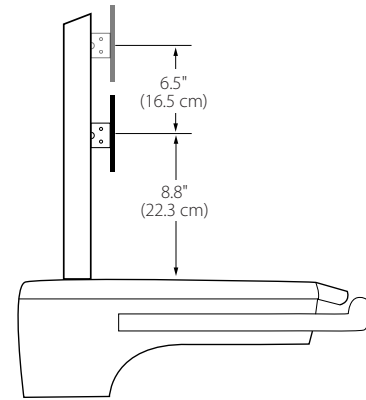
**Figure 3**  
Worksurface - Worksurface Area



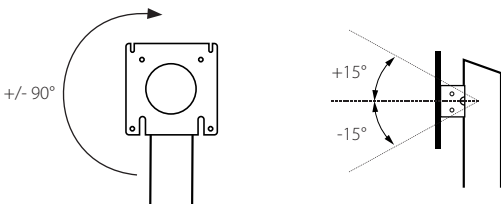
**Figure 4**  
PC/Laptop Compartment Area



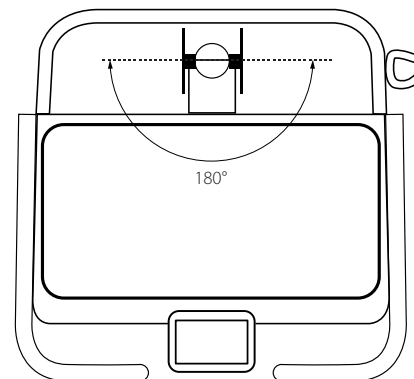
**Figure 5**  
Wheelbase



**Figure 6**  
Display - Independent Height Adjustment (LCD/AIO Models)



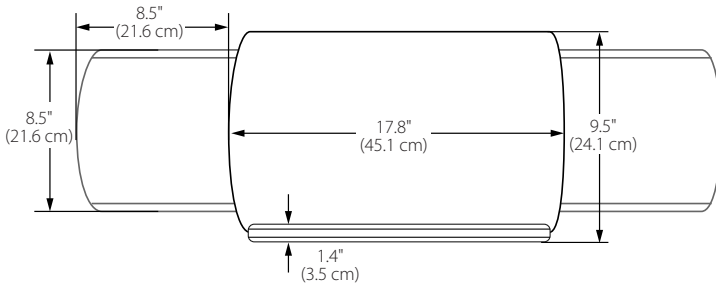
**Figure 7**  
Display - Tilt and Rotate (LCD/AIO Models)



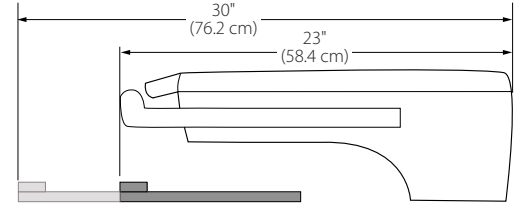
**Figure 8**  
Display - Pan (LCD/AIO Models)

# Dimensions and Movement Range

## Slideout Keyboard Tray

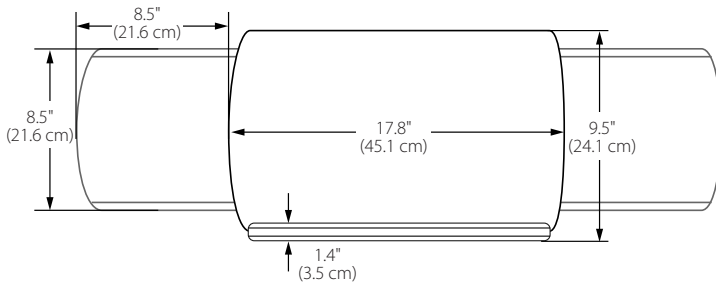


**Figure 9**  
Dimensions

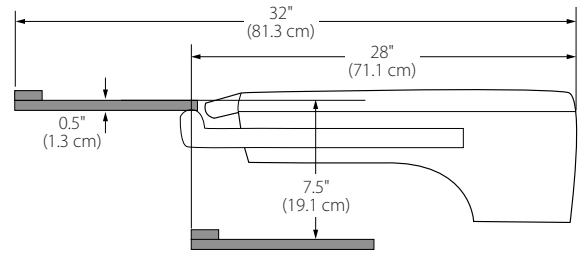


**Figure 10**  
In/Out Range

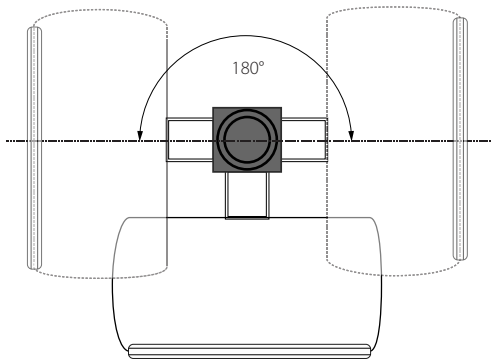
## Ergonomic Keyboard Tray



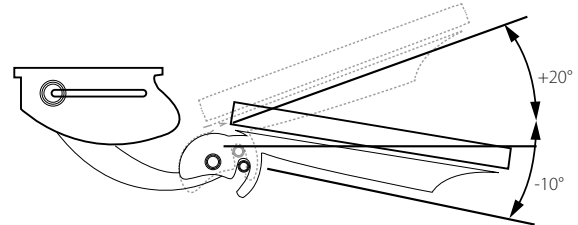
**Figure 11**  
Dimensions



**Figure 12**  
In/Out and Height Range



**Figure 13**  
Pan



**Figure 14**  
Tilt



Please visit [www.amico.com](http://www.amico.com) for all technical specifications, installation instructions, and to learn more about other great Amico products and equipment. Detailed CAD drawings available upon request.