



# Hummingbird Lite

Medical Workstation on Wheels



Laptop



Non-Powered



Manual Lift



Designed by Nurses  
Delivered by

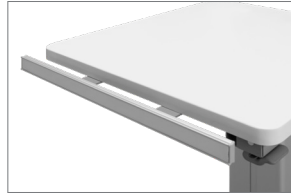
**A**mico

# Standard Equipment



### Work Surface

Infection-control friendly work surface  
Dimensions 20" x 20" (50.8 cm x 50.8 cm)



### Steering Handles

Steer your cart with ease with comfortably located handles at the front of the work surface



### Mouse Tray

Slideout surface for mouse tray (left and right side)



### Manual Lift

Go from sitting to standing in seconds with our heavy-duty pneumatic lift: 15" (38 cm) worktop height adjustment range



### Power Supply Holder

Securely strap in your device's power supply under the work surface on left or right side



### Accessory Rails

Integrated rails on both sides of the column to easily mount your storage accessories



### Legroom

U-Shape base saves your shins while traveling and gives users enough legroom while sitting



### Effortless Rolling

5" (12.7 cm) casters make travel effortless, including locking casters to stop movement



### Save on Shipping

Ships with minimal assembly requirements, optimized to save you money on shipping

# Options



### Cable Lock Point

Secure laptop using your cable lock. Includes Cord Holder. (see Accessories)



### Integrated Security Bracket

Adjustable, key-lock securement, with integrated cable management



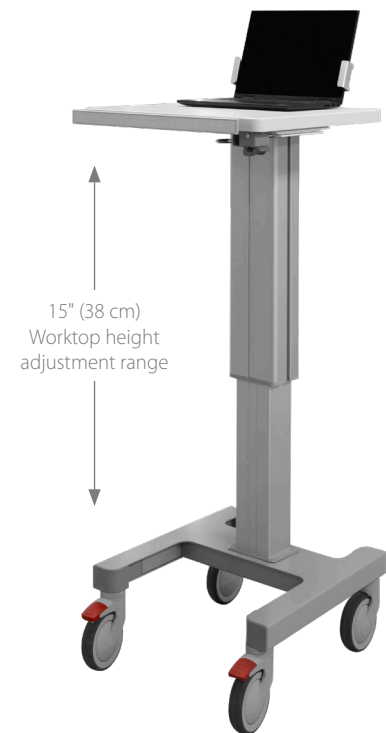
### Directional Caster

Swap one braking caster for a directional caster to make steering your cart even easier



### Quick Install Shipping

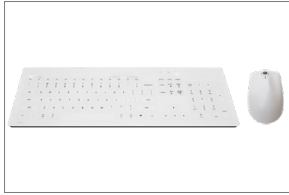
Cart ships fully assembled. Mount your tech and accessories for fast deployment on site



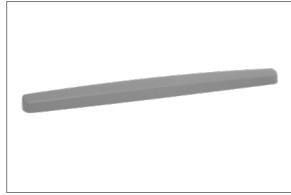
15" (38 cm)  
Worktop height  
adjustment range

*Shown with Integrated Security Bracket*

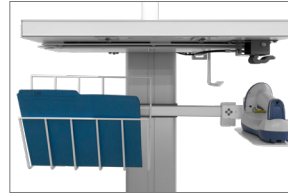
# Accessories



**Antimicrobial Keyboard and Mouse**  
Antimicrobial keyboard and mouse (ask sales rep for options)



**Wrist Rest**  
Antimicrobial, comfort wrist rest and Virox friendly



**Ergonomic Accessory Rail**  
Mount frequently used items close at hand



**Barcode Hook**  
Hook for your wired barcode scanner



**Barcode Scanner Mount**  
Horizontal mounting plate for your barcode scanner dock



**Cord Holder**  
Neatly store your power supply cord on the side of the cart



**Chart Holder**  
Locate your charts close at hand, beneath the worktop



**Printer Shelf**  
Shelf to accommodate a range of printers and peripherals  
12" x 20" (30.5 cm x 50.8 cm)



**Printer Mount**  
Mounting plate accommodates commonly used small printers including Zebra QL220



**Universal Sharps Holder**  
Adjustable mount to accommodate common sharps containers



**Glovebox Holder**  
Storage for boxes of gloves (works with tissue boxes too)



**Hand Sanitizer Holder**  
Securely store your sanitizer pump



**Equipment Wipes Holder**  
Mounting bracket for your equipment wipes dispenser



**Baskets**  
Sterilizable wire baskets  
10" x 6" x 9" (25.4 cm x 15.2 cm x 22.9 cm)  
10" x 10" x 4" (25.4 cm x 25.4 cm x 10.2 cm)  
5" x 5" x 4" (12.7 cm x 12.7 cm x 10.2 cm)



**Cuff Basket**  
Sterilizable Wire Basket 13" x 9" x 7"  
(33.02 cm x 22.9 cm x 17.8 cm)



**Power Bar**  
Provide power to multiple devices on the cart - all international power types available (power cord included)

# Patient



Improved Communication



Increased Treatment Compliance



Enhanced Security



Stronger Outcomes

# Practitioner



Increased Workflow Efficiency



Fewer Mistakes



Less Pain



Reduced Fatigue

# Technician



Maximal Uptime



Minimal Maintenance



Fleet Management



Multi-Level Support

# Management



Reduced Liability



Better Patient Outcomes



Increased Practitioner Productivity



Superior Management and Integration