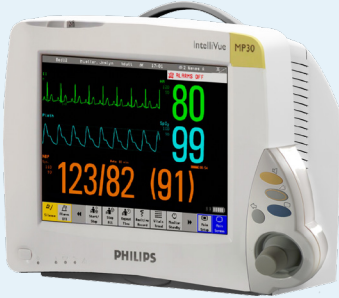
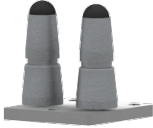








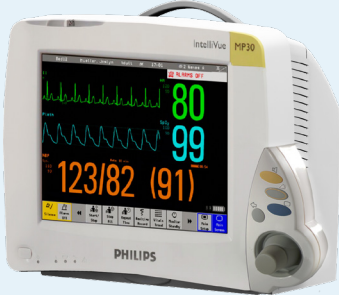







Philips Ordering Guide Reference Chart



| Device | Mounting Kit | Mounting Platform | Restrictions | Add-ons |
|---|--|---|--------------|--|
|  <p>Philips IntelliVue MP20/30 13.4 lbs (6 kg)*</p> |  <p>N/A (Philips supplied Table Top Mounts)</p> |  <p>AHM-053</p> | N/A |  <p>Multi-Measurement Module (MMS)</p>  <p>Cable and Patient Leads</p> |
| | |  <p>SSM-053</p> | N/A | |
| | |  <p>TTM-05-453-A00</p> | N/A | |
| | |  <p>RS6-423-PKG</p> | N/A | |







Philips Ordering Guide Reference Chart



| Device | Mounting Kit | Mounting Platform | Restrictions | Add-ons |
|--|--|--|--------------|---|
|  <p>Philips IntelliVue MP20/30 13.4 lbs (6 kg)*</p> |  <p>N/A (Philips supplied M8045A Docking Station with Table Top Mount has VESA 100 x 100) 6 lbs (2.7 kg)*</p>  <p>MON-VESA-ADA</p> |  <p>AHM-050</p> | N/A |  <p>Multi-Measurement Module (MMS)</p>  <p>Cable and Patient Leads</p> |
| |  <p>SSM-050</p> | N/A | | |
| |  <p>TTM-05-050</p> | N/A | | |
| |  <p>RS6-420-PKG</p> | N/A | | |
| |  <p>N/A (Philips supplied M1026A/B, M1013A, or M1019A Anesthetic Gas Module) M1026A/B: 18 lbs (8.2 kg)* M1013A: 12 lbs (5.5 kg)* M1019A: 12 lbs (5.5 kg)*</p> |  <p>AHM-053 (Philips supplied Table Top Mounts)</p> | N/A | |

Philips Ordering Guide Reference Chart



| Device | Mounting Kit | Mounting Platform | Restrictions | Add-ons |
|--|--|--|---|---------|
|  <p>Multi-Measurement Module (MMS) 1.4 lbs (0.7 kg)*</p> | N/A (Mounts to the back of the MP20/30) | N/A | N/A | N/A |
|  <p>Cable and Patient Leads</p> |  <p>CRDHLDL</p> |  <p>AHM-053</p> | Mounts below with primary device on AHM/SSM | N/A |
| | |  <p>SSM-053</p> | | |
| |  <p>101004-MON-BB</p> | N/A | Mounts on MRS rail with AHM/SSM | N/A |

*Weight provided to help approximate mounting capacity. For reference only.