






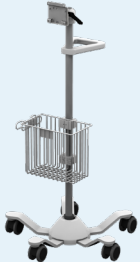







Spacelabs Ordering Guide Reference Chart



Device	Mounting Kit	Mounting Platform	Restrictions	Add-ons
 <p>Spacelabs Qube 9 lbs (4.1 kg)*</p>	N/A	 <p>AHM-05S</p>	N/A	 <p>Capno Pod</p>  <p>Patient Leads</p>  <p>Power Supply</p>
		 <p>SSM-05S</p>	N/A	
		 <p>TTM-05-45S-A00</p>	N/A	
		 <p>RS6-42S-PKG</p>	N/A	


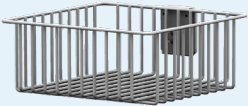



Spacelabs Ordering Guide Reference Chart



Device	Mounting Kit	Mounting Platform	Restrictions	Add-ons
 <p>Spacelabs Qube with Capno Pod Qube - 9 lbs (4.1 kg)* Capno Pod - 0.5 lbs (0.2 kg)*</p>	<p>N/A</p>	 <p>AHM-05S</p>	<p>(Mount to the back of the Spacelabs Qube)</p>	<p>N/A</p>
		 <p>SSM-05S</p>		
		 <p>TTM-05-45S</p>		
		 <p>RS6-42S-PKG</p>		

Spacelabs Ordering Guide Reference Chart



Device	Mounting Kit	Mounting Platform	Restrictions	Add-ons
 <p>Patient Leads</p>	N/A	 <p>101004-MON-BB</p>	Mounts on MRS rail with AHM/SSM	N/A
 <p>Power Supply 1.5 lbs (0.9 kg)*</p>	N/A	 <p>PWRHLD-MON</p>	Mounts on MRS rail with AHM/SSM	N/A
		 <p>PWRHLD-R125</p>	Use R125 adapter when mounting on Roll Stand or TTM	

*Weight provided to help approximate mounting capacity. For reference only.