

# Monitor Arms



## SSM Application on Mobile Cart



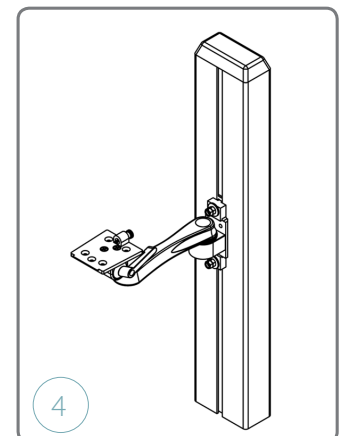
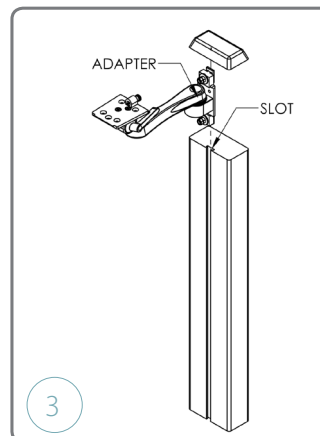
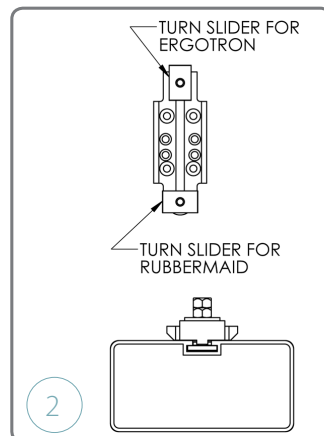
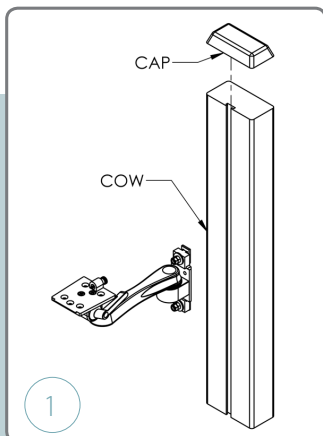
Part Number: SSM-052-COW

### Features:









- 9" or 12" (23 cm or 30 cm) single arm length
- 9" x 9" (23 cm x 23 cm) double arms length
- Compatible with Ergotron and Rubbermaid computer carts
- Swivel arm provides lateral functionality
- Tilt and swivel adjustments
- 20 lbs (9 kg) arm rating
- Integrated cable management
- Color options available (white is standard)



### Easy to Install



# SSM Application on Mobile Cart

PART NUMBER MATRIX				
	DINAMAP	WELCH ALLYN 300 SERIES	MINDRAY VS-800	Philips MP Series
 <p><b>Flush Options</b> AS SHOWN FOR DINAMAP SSM4-12UF125-COW</p>	SSM4-12UF125-COW	SSM-45W-COW	MR-VS800-SSM4-COW	SSM-453-COW
 <p><b>Single Pivot Arm</b> 9" (22.9 cm) AS SHOWN FOR LCD Monitors NM-2120-SSM2-COW</p>	SSM2-12UF125-COW	SSM-25W-COW	MR-VS800-SSM2-COW	SSM253-COW
 <p><b>Single Pivot Arm</b> 12" (30.5 cm) AS SHOWN FOR MINDRAY VS-800 MR-VS800-SSM0-COW</p>	SSM0-12UF125-COW	SSM-05W-COW	MR-VS800-SSM0-COW	SSM-053-COW
 <p><b>Double Pivot Arm</b> 9"x9" (22.9 cm x 22.9 cm) AS SHOWN FOR WELCH ALLYN 300 SERIES SSM-35W-COW</p>	SSM3-12UF125-COW	SSM-35W-COW	MR-VS800-SSM3-COW	SSM-35W-COW

Other manufacturers available on request


## Part Numbers for Accessories

**Power Holder**  
  
PWRHLD-COW

**Wire Basket**  
  
050504-COW-BB

**Cord Hooks**  
  
CRDHLD-COW

**Sharps Holder**  
  
SHARPSHLD-COW

**Bar Code Scanner Holder**  
  
Call for part number

Please visit [www.amico.com](http://www.amico.com) for all technical specifications, installation instructions, detailed AutoCAD drawings and more Mounting Solutions.



## Distributed By:

