

Side-to-Side Monitor (SSM) Arm

Quick Installation and Adjustment Instructions



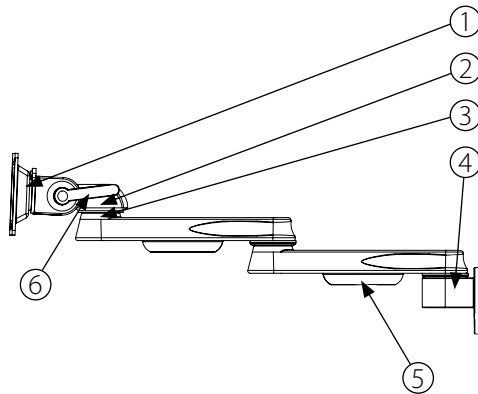
Medical Facility Responsibility



WARNING: It is the responsibility of the end user to ensure all aspects of the installation are covered by following the full manual at: <https://www.amico.com/sites/default/files/product/downloads/amico-aa-ssm-side-to-side-patient-monitor-arm-manual.pdf>

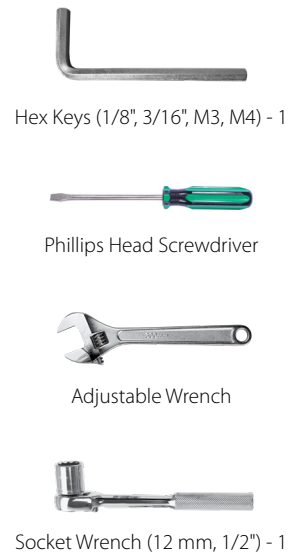
Installation Reference

- 1. Monitor Mounting Adapter**
VESA LCD mount shown, other options available.
- 2. Monitor Head - Rotation**
Monitor rotation adjustment.
- 3. SSM Joint**
Rotates the monitor head to the desired position.
- 4. Mounting Adapter**
MON adapter shown for MRS rail.
- 5. Cable Management**
Manages the cables of the monitor for better organization.
- 6. Monitor Head - Tilt**
Tilt adjustment handle.



Installation Tools

Not provided by Amico



1. Installation to Structure

WARNING: Never attempt to mount or remove the *SSM ARM* from the *MRS RAIL* when a *MONITOR* is installed.

WARNING: Support *SSM ARM* until the *SET SCREWS* are tightened, *SSM ARM* can slide down when *SET SCREWS* are not tightened.

2. Installation to Monitor

* LCD mount shown, for other monitor styles, refer to manual.

Side-to-Side Monitor (SSM) Arm Quick Installation and Adjustment Instructions



3. Rotation (SSM Side to Side)

1/2" BOLT

ROTATION TENSION POINT

HEAD ROTATED

TO ROTATE AT FIRST ARM

TO ROTATE AT SECOND ARM

END POINT

MIDWAY POINT

FIRST ARM ROTATED

SECOND ARM ROTATED

⚠ WARNING: It is not recommended to adjust the *ROTATION TENSION BOLT*. If you do, be sure not to unfasten the *BOLT* too much or the head will disassemble from the *SSM ARM*.

⚠ WARNING: Both arms have a 180° rotation. Ensure the proper clearance around the *SSM ARM(s)* to avoid collision.

4. Head Tilt

TO LOOSEN

TO TIGHTEN

4 mm HEX KEY TO LOOSEN HANDLE

12 mm HEX NUT FOR HEAVY DUTY OR TAMPER-PROOF APPLICATIONS

LOOSEN LEVER

ADJUSTMENT LEVER

⚠ WARNING: Never attempt to tilt without first loosening the *HANDLE*.

⚠ WARNING: Be sure to support the *MONITOR* if adjusting the tilt angle while the *MONITOR* is mounted.

4. Cable Management

CABLE COVER

BOTTOM OF THE SSM ARM

ⓘ NOTE: A cable guide is provided to facilitate routing of cables along the bottom of the *SSM ARM*.