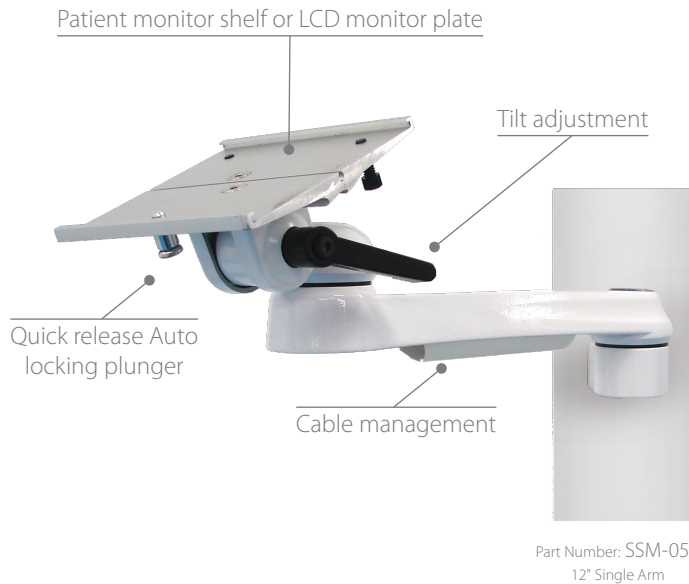


Monitor Arms

SSM Monitor Arm

Side to Side



Features

- 180° side to side motion
- Can be mounted directly to any equipment rail or wall channel
- Integrated cable management
- Color options available (white is standard)
- 9" or 12" (23 cm or 30 cm) single and dual arm lengths available
- Swivel arm provides lateral functionality
- Tilt and swivel adjustments
- 30 lbs (13.6 kg) single arm rating
- 15 lbs (6.8 kg) extension arm rating

NOTE: Channel covers are not standard, available as an upgraded option

Monitor Compatibility

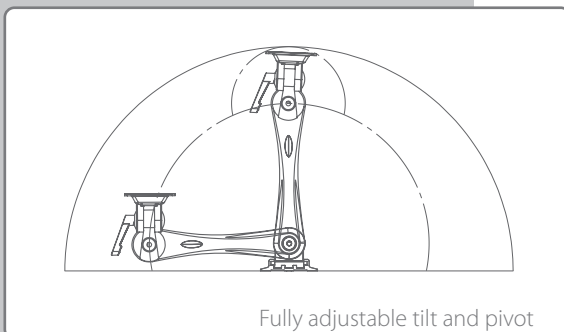
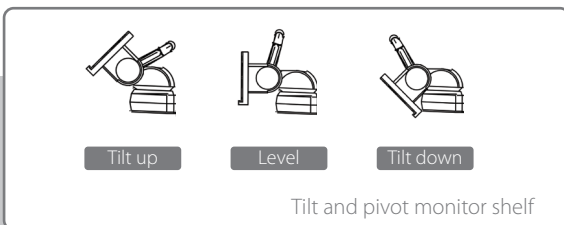
PATIENT MONITORS

- | | | |
|-----------------|---------------|-----------|
| • Draeger | • Welch Allyn | • GE |
| • Spacelabs | • Datascope | • Invivo |
| • Fukuda Denshi | • Philips | • Mindray |
| • Nihon Kohden | • Criticare | • Masimo |
| • Datex Ohmeda | • Infinium | |

LCD MONITORS

- | | | |
|-----------|-------------|-------|
| • Toshiba | • Gateway | • NEC |
| • Sony | • Advantech | • LG |
| • Samsung | • DELL | |

Options available for other manufacturers
please specify model when ordering



Mounting Options for SSM Models

Channel Mount Options

Channel to **Wall**



- Channel mounts directly to the wall

Part Number: SSM-150

Channel to **Power Column**



- SSM mounts directly to existing monitor channel on power column or flatwall

Part Number: SSM-150

Channel to **Headwall**



- Channel mounts directly to existing rail on headwall
- Channel can be mounted anywhere along length of headwall

Part Number: SSM-150

MRS Channel to **Equipment Rail**



- Channel mounts directly to equipment rails
- Channel can be mounted anywhere along length of rail

Part Number: SSM-150

Direct Rail Mount Options

Benefits of **Direct Rail Mounting**

- Eliminates the need for a monitor channel
- Cleaner, more aesthetically pleasing look
- Increases flexibility for location of monitor
- 40 lbs (18 kg) maximum weight rating (less for some models)
- Compatible with various headwall, flatwall, equipment booms, and rail systems

Direct to **Power Column**



- Mounts directly to existing vertical rail, on power column or flatwall

Part Number:
SSM-050-V

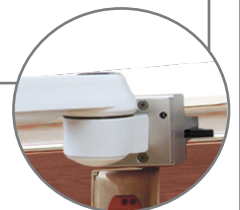


Direct to **Headwall**



- Mounts directly to existing horizontal rail on headwall

Part Number:
SSM-050-A



Direct to **Equipment Rail**




- Mounts directly to equipment rail

Part Number: SSM-LCD-45-ARS

Mounting options are available for both AHM and SSM Arm Models

SSM Models (Side to Side Motion)


Flush Mount



- 4.5" (11.4 cm) profile
- 30 lbs (13.6 kg) single arm rating
- 15 lbs (6.8 kg) dual arm rating
- Back mount devices only
- Quick release auto locking plunger

Part Number: SSM-456

LCD Flush Mount



- 4.5" (11.4 cm) profile
- 30 lbs (13.6 kg) single arm rating
- 15 lbs (6.8 kg) dual arm rating
- VESA 75/100 plates included
- Portrait and landscape viewing

Part Number: SSM-LCD-45



 <p>SSM 9" Single (22.9 cm)</p> <p>13" (33 cm) reach*</p> <p>Part No: SSM-25X</p>	 <p>SSM 12" Single (30.5 cm)</p> <p>15" (38 cm) reach*</p> <p>Part No: SSM-05X</p>
---	---

 <p>LCD SSM 9" Single (22.9 cm)</p> <p>12" (30.5 cm) reach*</p> <p>Part No: SSM-LCD-25</p>	 <p>LCD SSM 12" Single (30.5 cm)</p> <p>15" (38 cm) reach*</p> <p>Part No: SSM-LCD-05</p>
---	--

*30 lbs (13.6 kg) max. per arm

*30 lbs (13.6 kg) max. per arm

 <p>SSM 9"x 9" Double (22.9 cm x 22.9 cm)</p> <p>18" (45.7 cm) reach**</p> <p>Part No: SSM-35X</p>	 <p>SSM 12"x 12" Double (30.5 cm x 30.5 cm)</p> <p>24" (61 cm) reach**</p> <p>Part No: SSM-15X</p>
--	---

















 <p>LCD SSM 9"x 9" Double (22.9 cm x 22.9 cm)</p> <p>19" (48.3 cm) reach**</p> <p>Part No: SSM-LCD-35</p>	 <p>LCD SSM 12"x 12" Double (30.5 cm x 30.5 cm)</p> <p>24" (61 cm) reach**</p> <p>Part No: SSM-LCD-15</p>
--	--

**15 lbs (6.8 kg) max. per arm

**15 lbs (6.8 kg) max. per arm










SSM Monitor Arm Part Matrix

SSM-XXX-(Z)



 <p>25 Single 9" (22.9 cm) SSM Arm</p>	 <p>0 5" (12.7 cm) Shelf w/ 30° tilt limit</p>	 <p>MON Standard Channel Adapter</p>
 <p>35 Dual 9" (22.9 cm) SSM Arm</p>	 <p>2 6" (15.2 cm) Drop on shelf</p>	 <p>V Amico Vertical Rail Adapter</p>
 <p>05 Single 12" (30.5 cm) SSM Arm</p>	 <p>3 Philips IntelliVue Shelf</p>	 <p>V Amico Vertical Rail Adapter</p>
 <p>15 Dual 12" (30.5 cm) SSM Arm</p>	 <p>4 Accessory add on top</p>	 <p>G Hill-Rom Vertical Rail Adapter</p>
 <p>45 Flush Mount</p>	 <p>6 5" (12.7 cm) Shelf for back mounts</p>	
	 <p>7 5" (12.7 cm) Shelf w/ slide-in VESA 75/100 Plate</p>	
	 <p>8 3" (7.6 cm) Shelf w/ 30° tilt limit</p>	

LCD SSM Monitor Arm Part Matrix

SSM-LCD-XX-(Z)

 <p>25 Single 9" (22.9 cm) SSM Arm</p>	 <p>MON Standard Channel Adapter</p>
 <p>35 Dual 9" (22.9 cm) SSM Arm</p>	 <p>V Amico Vertical Rail Adapter</p>
 <p>05 Single 12" (30.5 cm) SSM Arm</p>	 <p>V Amico Vertical Rail Adapter</p>
 <p>15 Dual 12" (30.5 cm) SSM Arm</p>	 <p>G Hill-Rom Vertical Rail Adapter</p>
 <p>45 Flush Mount</p>	


Standard Plates Provided:

 <p>VESA 75</p> <p>Side View</p>	 <p>VESA 100</p> <p>Side View</p>
--	--

Monitor Arm Accessories

Side Monitor Specific Peripheral Mounts Available to Side

Power **Bar**



- Hospital grade, 4 power outlets
- 120 VAC, 60 Hz

Part Number: PWRBAR4-MON

Power **Holder**



- Holds most power adapters for PCs, patient monitors and LCDs

Part Number: PWRHLD-MON

Cord **Hook**



- Manage cables, cords and other hanging wires
- Attach to the bottom of any monitor arm

Part Number (2 hooks): CRDHLDLDR
Part Number (4 hooks): CRDHLDLR2

Bar Code Scanner **Holder**



- Universal bar code scanner holder

Call for part number.


LCD **Handle**



- Ergonomic handles can be added to any Amico LCD mount
- Knuckle guard protects walls and user's hands

Part Number: MON-LCD-HANDLE


Cord **Wrap**



- Ideal for managing wires and cords

Part Number: CORDWRAP

Monitor **Channel**



- Standard wall channel 34" (86.3 cm)
- Meets seismic requirements
- Custom lengths are welcome

Part Number: MRS-S034

Channel **Covers**



- Easy way to hide wires
- Available in patterns and colors to match any decor

Call for part number.

Monitor **Handle**



- Easy grab handle

Part Number: AH-HAND-00

Wire **Baskets**

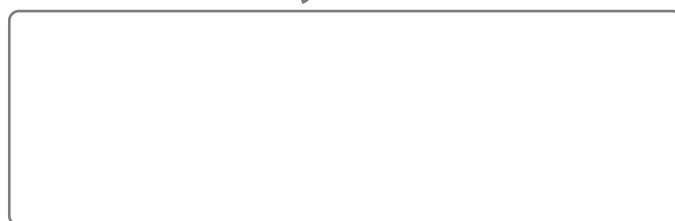
	<p>10" W x 10" D x 4" H (25.4 cm x 25.4 cm x 10.16 cm) White wire basket Part No: 101004-MON-BB</p>		<p>10" W x 06" D x 09" H (25.4 cm x 15.24 cm x 22.86 cm) White wire basket Part No: 100609-MON-BB</p>		<p>13" W x 09" D x 07" H (33.02 cm x 22.86 cm x 17.78 cm) White wire basket Part No: 130907-MON-BB</p>		<p>13" W x 09" D x 07" H (33.02 cm x 22.86 cm x 17.78 cm) BP cuff basket Part No: CUFBASK-MON</p>
--	---	--	---	--	--	--	---

All baskets can be sterilized

CPU **Mounts**

	<ul style="list-style-type: none"> • Available Sizes: 1.5" - 3" (3.81 cm - 7.62 cm) Part No: CPUMNT1-MON 1.5" - 7" (3.81 cm - 17.78 cm) Part No: CPUMNTA-MON 7" - 9.5" (17.78 cm - 24.13 cm) Part No: CPUMNT4-MON 		<ul style="list-style-type: none"> • Thin client mount behind LCD 10" x 10" x 1.75" (25.4 cm x 25.4 cm x 4.45 cm) 10" x 10" x 3" (25.4 cm x 25.4 cm x 7.62 cm) 		<ul style="list-style-type: none"> • Enclosed CPU Mount 		<ul style="list-style-type: none"> • Tangent Rugged Mini mount
--	---	--	---	--	--	--	---

Distributed By:



Please visit www.amico.com for all technical specifications, installation instructions, detailed AutoCAD drawings, and more Mounting Solutions.

