

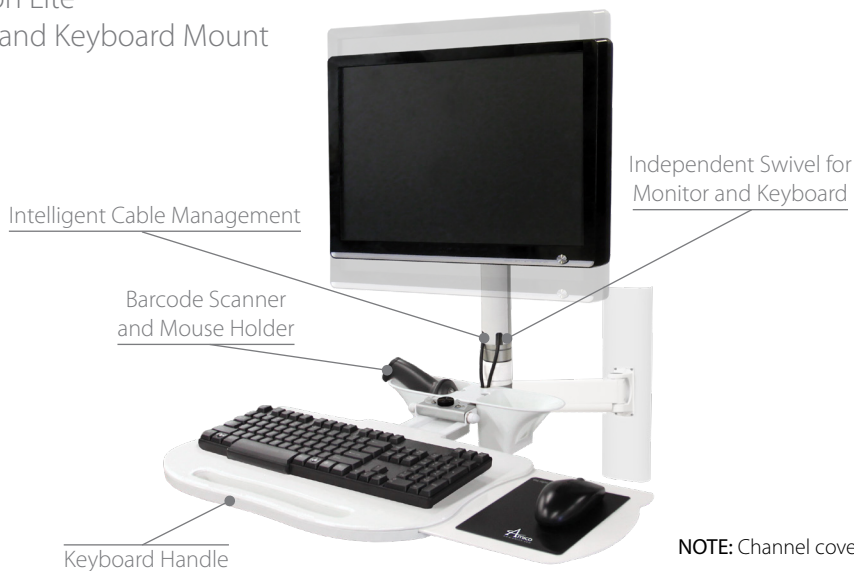
Computer Mounting Side to Side Falcon™ Lite with Sidekick



LCD & Keyboard Mount with Secondary Surface



Falcon Lite
LCD and Keyboard Mount



Features

- 6.5" (16.51 cm) Independent LCD height adjustment
- Entire system easily folds back less than 9" (22.9 cm) from wall for storage when not in use
- Includes both 75/100 VESA mounting options with easy installation slots
- Intelligent cable management systems on arm, wall channel, and post
- Optional CPU mounts available
- Negative tilt keyboard adjustment
- Completely sealed keyboard tray for better infection control
- Easy access to barcode scanner and mouse holders
- Conveniently and ergonomically position your monitor and keyboard for maximum productivity, comfort, and patient-to-caregiver eye contact
- Durable aluminum construction

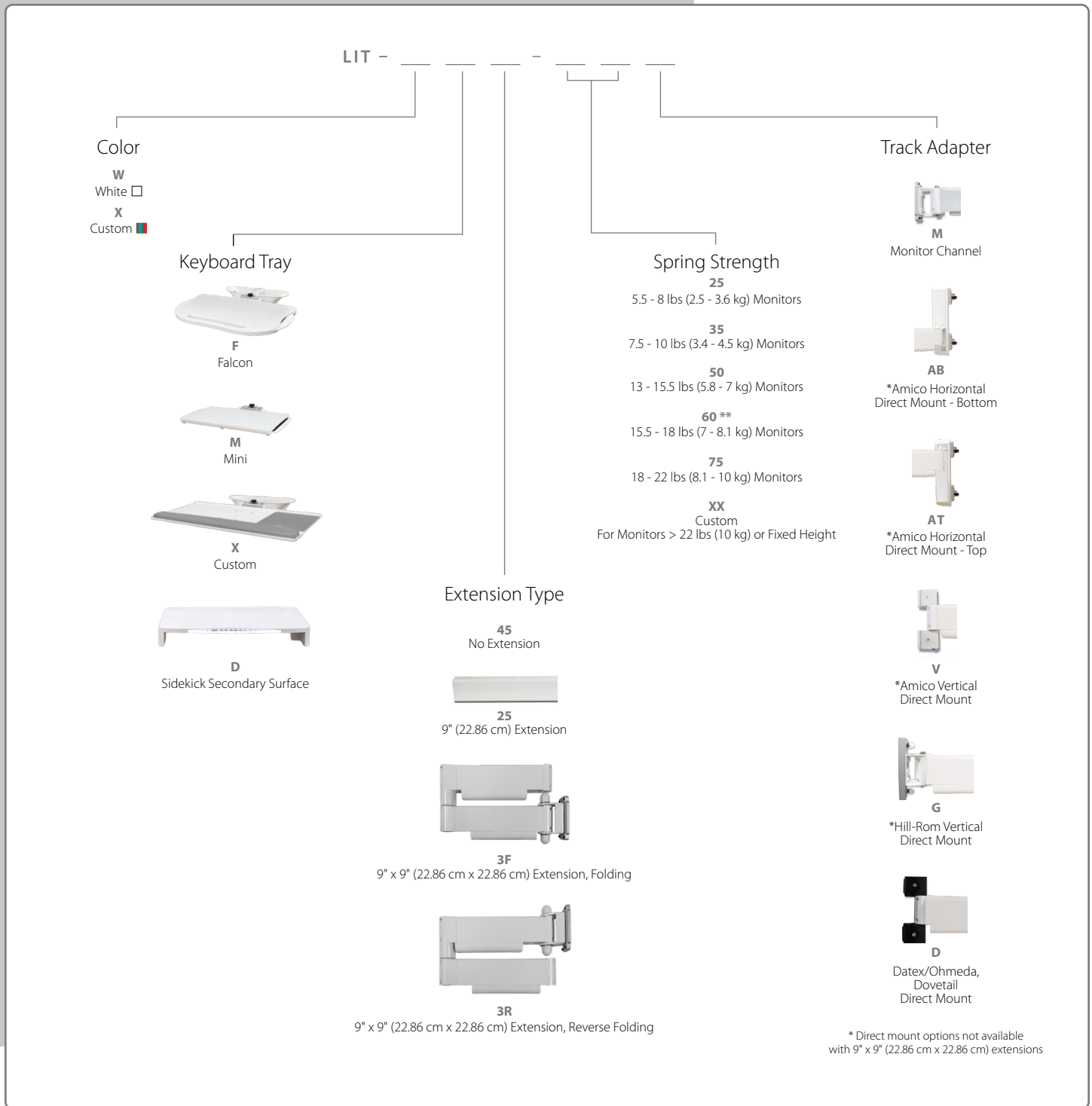
Sidekick Features

- Integrated LED light with switch
- Large work surface with spill guard edge
- Magnetic whiteboard surface
- Single hand adjustment
- Optional integrated RFID reader

NOTE: Channel covers are not standard, available as an upgraded option



Falcon™ Lite Part Matrix



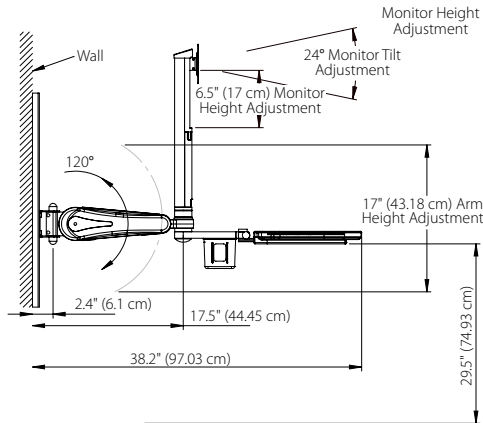
NOTE: All dimensions are not exact.

** Use MON-LCD-HANDLE for displays between 10 - 13 lbs (4.5 - 5.8 kg).

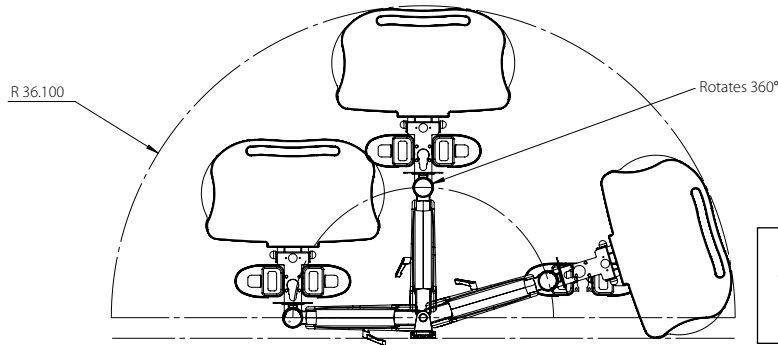
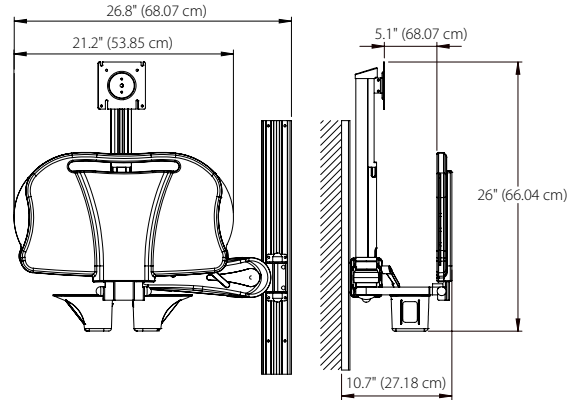
Schematic Drawings

Shown without Sidekick

EXTENDED POSITION

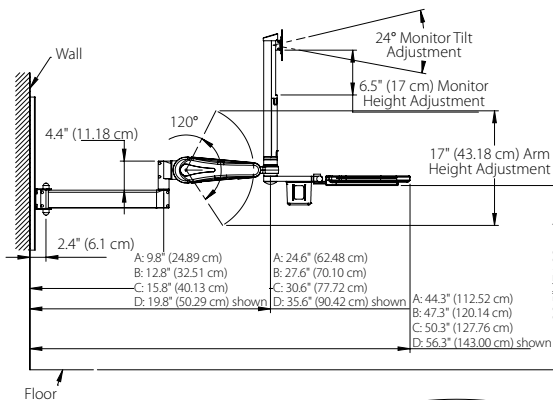


FOLDED POSITION

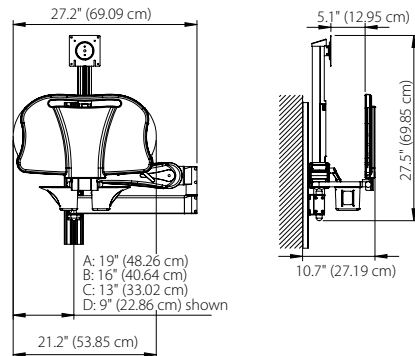


NOTE: Mouse tray may add 7" (17.78 cm) on either side when extended. All measurements are made with the arm in horizontal position.

EXTENDED POSITION

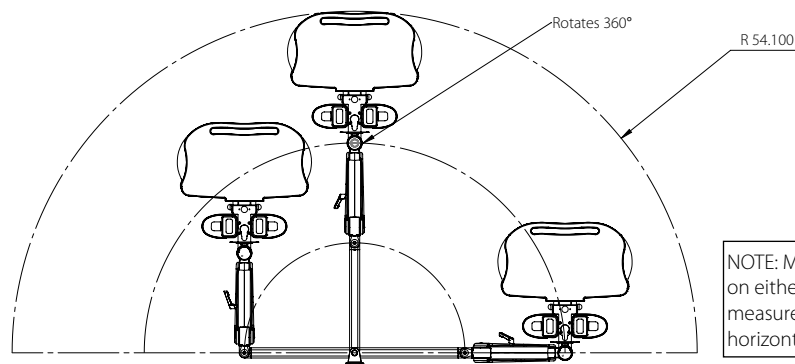


FOLDED POSITION



EXTENSIONS

- A: 6" (15.24 cm)
- B: 9" (22.86 cm)
- C: 12" (30.48 cm)
- D: 16" (40.64 cm)




NOTE: Mouse tray may add 7" (17.78 cm) on either side when extended. All measurements are made with the arm in horizontal position.

NOTE: All dimensions are not exact.

Computer Mounting Accessories


Power Bar



- Hospital grade, 4 power outlets
- 120 VAC, 60Hz

Part Number: PWRBAR4-MON


Power Holder



- Holds most power adapters for PCs, patient monitors, and LCDs

Part Number: PWRHLD-MON


Cord Wrap



- Ideal for managing wires and cords

Part Number: CORDWRAP


LCD Handle



- Ergonomic handles can be added to any Amico LCD mount
- Knuckle guard protects walls and user's hands
- Weight: 4.3 lbs (1.9 kg)

Part Number: MON-LCD-HANDLE

Monitor Channel



- Standard wall channel 34" (86.3 cm)
- Seismic options are available and custom lengths are welcome

Part Number: MRS-S034

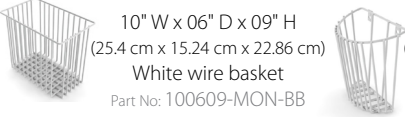
Channel Covers



- Easy way to hide wires
- Available in patterns and colors to match any decor

Call for part number.


Wire Baskets



<p>10" W x 06" D x 09" H (25.4 cm x 15.24 cm x 22.86 cm) White wire basket Part No: 100609-MON-BB</p>	<p>13" W x 09" D x 07" H (33.02 cm x 22.86 cm x 17.78 cm) BP cuff basket Part No: CUFBASK-MON</p>
---	---

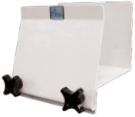



All baskets can be sterilized.

Printer Mounts



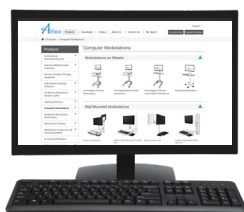
- Mounts most portable printers to conveniently print at the bedside

CPU Mounts

 <ul style="list-style-type: none"> • Available Sizes: 1.5" - 3" (3.81 cm - 7.62 cm) Part No: CPUMNT1-MON 1.5" - 7" (3.81 cm - 17.78 cm) Part No: CPUMNTA-MON 7" - 9.5" (17.78 cm - 24.13 cm) Part No: CPUMNT4-MON 	 <ul style="list-style-type: none"> • Thin client mount behind LCD 10" x 10" x 1.75" (25.4 cm x 25.4 cm x 4.45 cm) 10" x 10" x 3" (25.4 cm x 25.4 cm x 7.62 cm) 	 <ul style="list-style-type: none"> • Enclosed CPU Mount 	 <ul style="list-style-type: none"> • Tangent Rugged Mini mount
---	---	---	---

NOTE: All dimensions are not exact.

Please visit www.amico.com for all technical specifications, installation instructions, detailed AutoCAD drawings, and more Mounting Solutions.



Distributed By:

