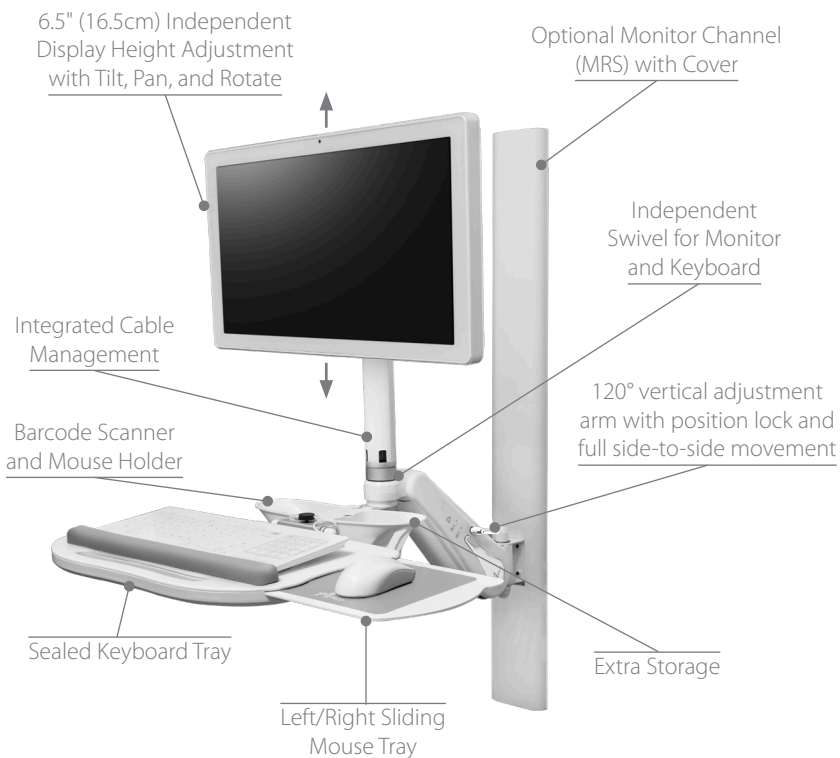


Falcon™ Computer Workstation



Features:

- Independent LCD height adjustment 6.5" (16.5 cm)
- Entire workstation folds back to as little as 9" (22.9 cm) from wall for storage when not in use
- Includes both 75/100 VESA mounting options with easy installation slots
- Intelligent cable management systems on arm, wall channel, and post
- Optional CPU mounts available
- Negative tilt keyboard adjustment
- Completely sealed keyboard tray for better infection control
- Easy access to barcode scanner and mouse holders
- Conveniently and ergonomically position your monitor and keyboard for maximum productivity, comfort, and patient to caregiver eye contact
- Can easily adjust from sitting to standing in one smooth motion
- 120° vertical arm adjustment with position lock and full side-to-side movement
- Overall vertical adjustment range can accommodate users of any height 17" (43.2 cm)
- Counterbalanced to provide effortless movement
- Durable aluminum construction

Sidekick Features:

- Integrated LED keyboard light with touch switch
- Large work surface with spill guard edge
- Magnetic whiteboard surface
- Lightweight, flip up with one hand

Falcon with SideKick Secondary Surface



Optional Folding Extensions

- 6" (15.2 cm) extension**
Entire system extends up to 44" (111.8 cm) from wall
- 9" (22.9 cm) extension**
Entire system extends up to 47" (119.4 cm) from wall
- 12" (30.5 cm) extension**
Entire system extends up to 50" (127 cm) from wall
- 16" (40.6 cm) extension**
Entire system extends up to 54" (137.2 cm) from wall

NOTE: Dimensions are accurate to within 0.5" (1.2 cm)

Falcon Ordering Guide



AHM-FIT

Color



W
White



X
Custom

Keyboard Tray



F
Falcon



M
Mini



X
Custom



D
Sidekick Secondary Surface

Additional Extension Length

0

No Extension



7

6" (15.2 cm) Extension



3

9" (22.9 cm) Extension



1

12" (30.5 cm) Extension



5

16" (40.6 cm) Extension

Extension Type



F
Folding



R
Reverse Folding

5

N/A (No Extension)

Device Load/Weight

25

5.5-8 lbs (2.5-3.6 kg) Load on VESA Mount

35

7.5-10 lbs (3.4-4.5 kg) Load on VESA Mount

50

13-15.5 lbs (5.8-7 kg) Load on VESA Mount

60

10-13lbs (5.8kg) Load on VESA Mount + requires purchase of **MON-LCD-HANDLE**

15.5-18 lbs (7.6-8.1 kg) Load on VESA Mount (Total weight of monitor, keyboard, mouse, & accessories is LESS than 18 lbs [8.2 kg])

65

15.5-18 lbs (7.6-8.1 kg) Load on VESA Mount (Total weight of monitor, keyboard, mouse, & accessories is GREATER than 18 lbs [8.2 kg])

75

18-22 lbs (8.1-10 kg) Load on VESA Mount

FH

Fixed Height VESA mount, total weight of monitor, keyboard, mouse, and accessories up to 30 lbs (13.6 kg)

Track Adapter



M
Monitor Channel



AB
*Amico Horizontal Direct Mount - Bottom



AT
*Amico Horizontal Direct Mount - Top



V
*Amico Vertical Direct Mount



G
*Hill-Rom Vertical Direct Mount



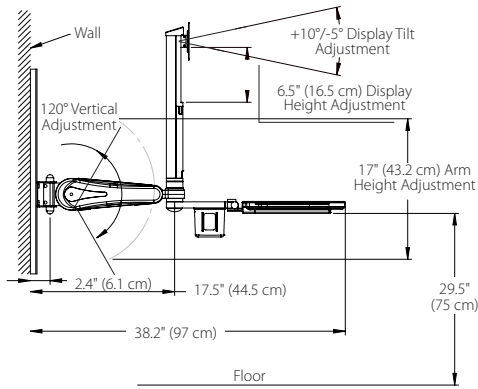
D
Datex/Ohmeda, Dovetail Direct Mount

* Direct mount options not available with extensions.

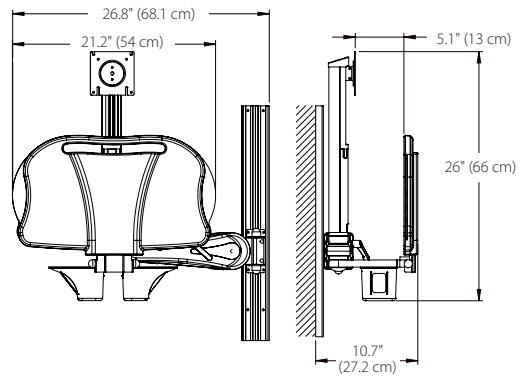
See page 4 for Accessories

Falcon Dimensions and Movement Range

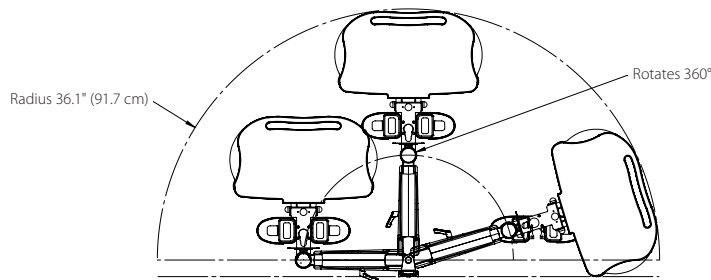
With No Extension



Extended Position

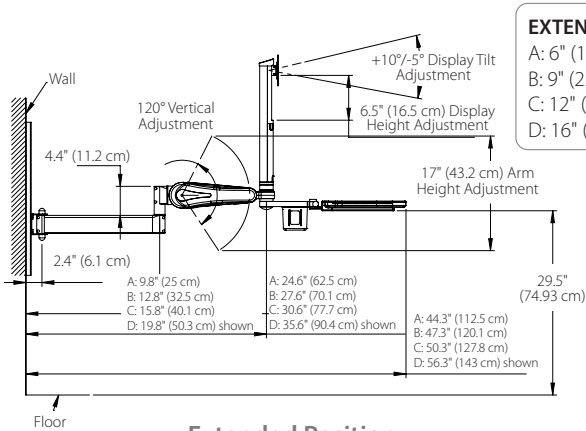


Folded Position

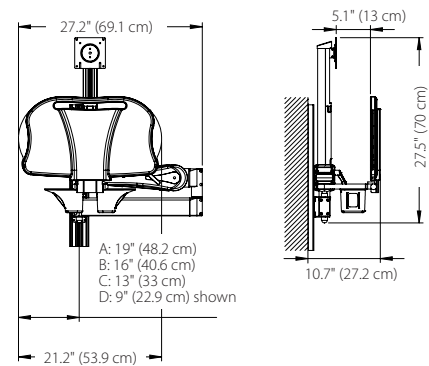


NOTE: Mouse tray may add 7" (17.8 cm) on either side when extended. All measurements are made with the arm in horizontal position.

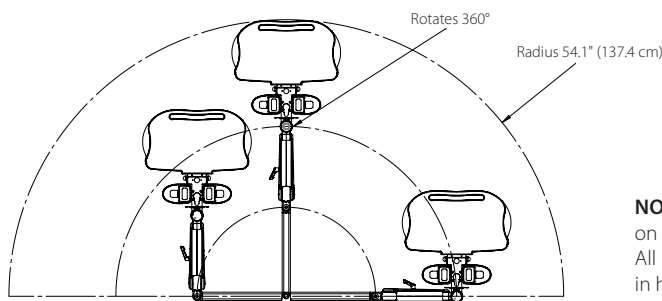
With Optional Extensions



Extended Position



Folded Position



NOTE: Mouse tray may add 7" (17.8 cm) on either side when extended. All measurements are made with the arm in horizontal position.

NOTE: All dimensions are not exact.

Falcon Accessories

Power Bar



- Hospital grade, 4 power outlets
- 120 VAC, 60Hz
- MON Adapter

Part Number: PWRBAR4-MON

Power Holder



- Holds most power adapters for PCs, patient monitors, and LCDs
- MON Adapter

Part Number: PWRHLD-MON

Cord Wrap



- Ideal for managing wires and cords

Part Number: CORDWRAP

LCD Handle



- Ergonomic handles can be added to any Amico LCD mount
- Knuckle guard protects walls and user's hands
- Weight: 4.3 lbs (2 kg)

Part Number: MON-LCD-HANDLE

Monitor Channel



- Standard wall channel 34" (86.4 cm)
- Seismic options and custom lengths available (ask sales rep for details)

Part Number: MRS-S034

Custom Channel Cover



- Easy way to hide wires
- Available in patterns and colors to match any decor

Call for part number.

Wire Baskets



10" W x 06" D x 09" H
(25.4 cm x 15.2 cm x 22.9 cm)
White wire basket
MON Adapter
Part No: 100609-MON-BB



13" W x 09" D x 07" H
(33 cm x 22.9 cm x 17.8 cm)
BP cuff basket
MON Adapter
Part No: CUFBASK-MON

All baskets can be sterilized

Printer Mounts



- Mounts most portable printers to conveniently print at the bedside

CPU Mounts



Adjustable

1.5" - 3" (3.8 cm - 7.6 cm)
Part No: CPUMNT1-MON

1.5" - 7" (3.8 cm - 17.8 cm)
Part No: CPUMNTA-MON

7" - 9.5" (17.8 cm - 24.1 cm)
Part No: CPUMNT4-MON



Thin Client Mount behind LCD

10" x 10" x 1.75"
(25.4 cm x 25.4 cm x 4.4 cm)

10" x 10" x 3"
(25.4 cm x 25.4 cm x 7.6 cm)



Enclosed CPU Mount



Tangent Rugged Mini Mount

NOTE: All dimensions are not exact.
* Includes MON Adapter.

Please visit www.amico.com for all technical specifications, installation instructions, detailed AutoCAD drawings, and more Mounting Solutions.



Distributed By:



Amico Accessories Inc. 85 Fulton Way, Richmond Hill, ON L4B 2N4, Canada
Toll Free Tel: 1.877.264.2697 | Tel: 905.763.7778 | Fax: 905.763.8587 | Email: accessories@amico.com

www.amico.com