

Ceiling Mounted Service Column Manual Retractable



Features

- The column is offered with the choice of a Nitrogen Control Panel (for US orders only).
- The Manual Retractable ceiling column provides a modern efficient method of supplying gas and electrical services in surgery or special care areas.
- For use in anesthetizing locations, the gas outlets are bottom mounted. Units for specialized care areas have side mounted outlets to facilitate the use of secondary equipment.
- When not in use, retract the telescopic section to avoid possible accidental contact with medical personnel.
- When required, the face of the column can be lowered to facilitate hook-up of services.

General Specifications

The Manual Retractable ceiling column shall be an Amico Alert-1 series.

The Manual Retractable ceiling column shall consist of an upper section for rigid mounting at the ceiling level and a telescopic lower section capable of being extended to a maximum of 18" [457 mm].

The retractable section of the column is activated by a coiled spring mechanism and can be lowered or raised to any position by rotation of the handle. With the aid of an internal tracking system, the movement of the telescopic portion will glide freely up or down.

The upper and lower section shrouds are made of 16 gauge 304 stainless steel with a #4 satin finish and are complete with:

- Removable access panel
- Stainless steel ceiling collar
- A heavy gauge steel mounting plate, equipped with console gas outlets for all medical gas connections above the ceiling line

All devices are factory installed on either sides or on the bottom of the column housing by means of flexible hoses and flexible metal conduit. All threaded connections comply with NFPA, CSA and DISS recommendations preventing interchanging of connections.

All services are pre-assembled and factory tested. Standard dimensions are 13-9/16" X 13-9/16" [345 mm x 345 mm] for the upper section and 12" X 12" [305 mm x 305 mm] for the lower section. Electrical devices are pre-wired, unless otherwise stated.

NOTE: Select applicable ceiling height for column from the Approval and Installation booklet.

The Retractable Ceiling Column accommodates:

- Up to 10 gas service outlets (10 bottom, 2 side mounted) in any desired sequence.
- Electrical outlets can be added on to any of the four sides of the column.

NOTE: Carbon Dioxide outlets are only available in DISS, Ohmeda and Chemetron. Nitrogen outlets are only available in DISS.

Any combination of ground jacks, computer outlets, communication devices, slides and I.V. hooks can also be mounted on the side panels.

The Ceiling Column is UL Listed to U.S. and Canadian safety standards.

Amico products comply with The National Fire Protection Association (NFPA-99 current edition), National Electrical Code (NEC), Canadian Standards Association (CSA) and Canadian Electrical Code (CEC).

Ceiling Mounted Service Column Manual Retractable

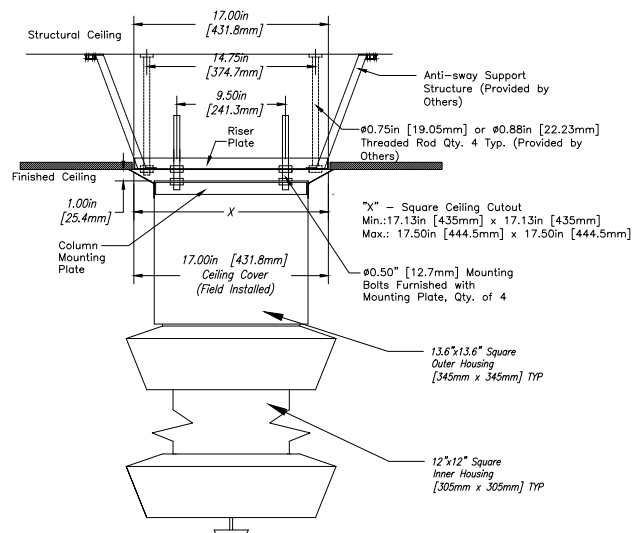
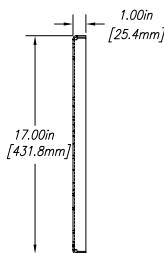
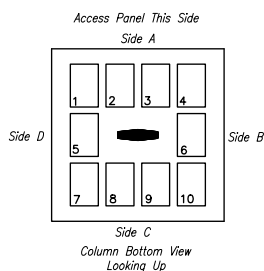
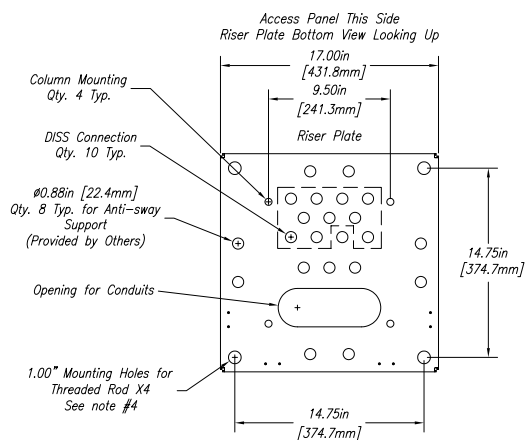


NOTES:

- All labour and material for installation of Riser to Mounting Structure supplied by others.
- General Contractor has final responsibility for the strength and stability of the mounting structure that is supplied by others.
- Riser plate to be mounted flush with the finished ceiling.
- Mounting of column unit to riser plate by (4) 1/2" threaded rods, provided by Amico.
- Space between top of Riser Plate and structural ceiling must be minimum 10" [254 mm].
- Riser Pipe(s) extend 8" [203.2 mm] above riser plate.
- Pre-ship of the riser assembly is available upon customer's request.

Technical Specifications

inch
[mm]



NOTE:

- Riser plate to be installed in ceiling with appropriate mounting structure and anti-sway support. The methods of support shown are provided for reference only.

NOTE: The manual retractable ceiling column is only available in the listed height configurations.

Customer Order Information:

Amico requires a signed, approved copy of all specifications before fabrication can begin. For further information please ask for our Approval & Installation Booklet (C-MANU-ENG).

Distributed By:

Model Numbers

C-COL-MAN-CH-RR

The Letters "CH" Define the Nominal Column Height:

- 30 = 30 inches [762 mm]
- 36 = 36 inches [914 mm]
- 42 = 42 inches [1067 mm]

The Letters "RR" Define the Nominal Retraction* Distance:

- 16 = 16 inches [406 mm]
- 18 = 18 inches [457 mm]

Optional Gas Control Panels (to be ordered separately)

Single Nitrogen Control Panel	C-CONP-S-NIT
-------------------------------	--------------

*Available Retractions:

- 30 inches [762 mm] = 16 inches
- 36 inches [914 mm] = 18 inches
- 42 inches [1067 mm] = 18 inches