

Ceiling Mounted Service Column Rigid (Stationary)



Features

- The column is offered with the optional choice of a Nitrogen Control Panel (for US orders only).
- The Rigid ceiling column provides a modern efficient method of supplying gas and electrical services in surgery or special care areas.
- For use in anesthetizing locations, the gas outlets are bottom mounted. Units for specialized care areas have side mounted outlets to facilitate the use of secondary equipment.
- This compact ceiling suspended unit may be equipped with isolated power centers, grounding and electrical receptacles, I.V. hooks, computer and communication outlets.

General Specifications

The Rigid ceiling column shall be an Amico Alert-1 series.

The Rigid ceiling column shall be a 12" x 12" [305 x 305 mm] square column. The length of the column shall be determined by the finished ceiling height.

The column is supported by a heavy gauge steel mounting plate which shall be attached to the structural (provided by others) ceiling by means of four 1/2" [13 mm] threaded rods (supplied by others).

The shroud is made of 16 gauge 304 stainless steel with a #4 satin finish and includes a full length access panel. All required surface fasteners are stainless steel.

The medical gas piping (type L) terminates 8" [203 mm] above the ceiling. Nitrogen uses (type K) only.

A stainless steel ceiling collar (made from 4 sections) is supplied with the unit.

All devices are factory installed on the sides and bottom of the column. Electrical devices are pre-wired, unless otherwise stated.

NOTE: Ceiling height is to be determined by the customer.

The Rigid Ceiling Column accommodates:

- Up to 12 gas service outlets in any desired sequence.
- Electrical outlets can be added on either of the four sides of the column.

NOTE: Carbon Dioxide outlets are only available in DISS, Ohmeda and Chemetron. Nitrogen outlets are only available in DISS.

Any combination of ground jacks, computer outlets, communication devices, slides and I.V. hooks can also be mounted on the side panels.

The Ceiling Column is UL Listed to U.S. and Canadian safety standards.

Amico products comply with The National Fire Protection Association (NFPA-99 current edition), National Electrical Code (NEC), Canadian Standards Association (CSA) and Canadian Electrical Code (CEC).

Ceiling Mounted Service Column Rigid (Stationary)

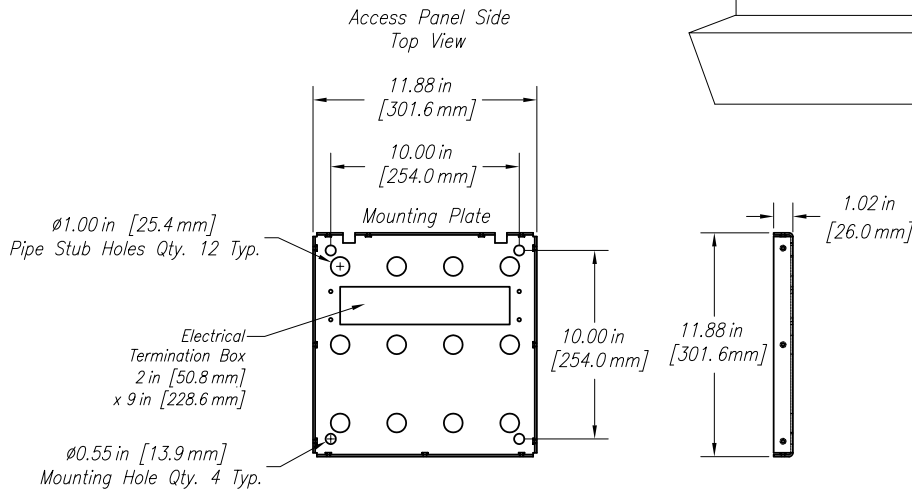
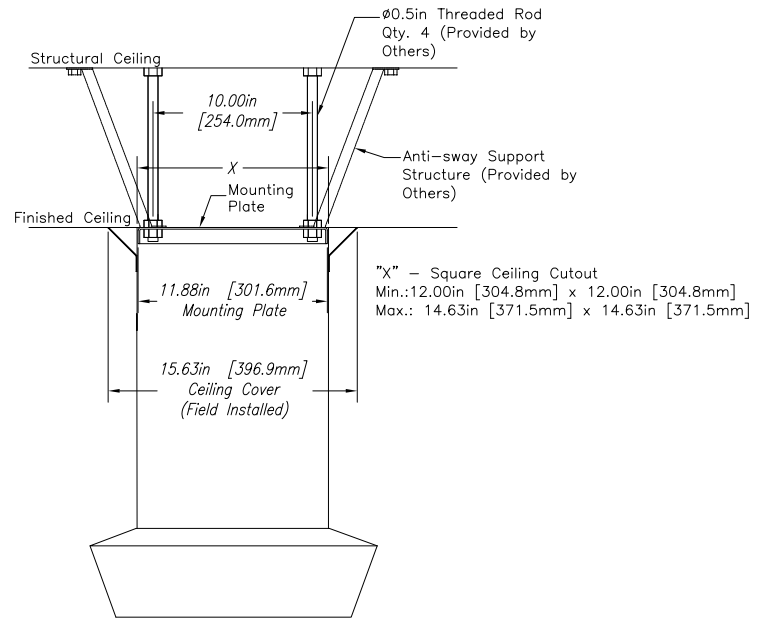


Technical Specifications

inch
[mm]

NOTES:

- All labour and material for installation of mounting plate to mounting structure supplied by others.
- Installer has final responsibility for the strength and stability of the mounting structure that is supplied by others.
- Mounting plate is an integral part of the column and cannot be pre-shipped.
- Mounting plate to be mounted flush with finished ceiling.
- Gas piped extend 8" above the column.



Customer Order Information:

Ceiling columns are custom manufactured to customer specifications. Amico requires a signed, approved copy of all specifications before fabrication can begin. For further information please ask for our Approval Booklet (C-RIGID-ENG).

Model Numbers

C-COL-RIGID-CH

The Letter "D" Defines the Finish:

D = Stainless Steel
P = Painted Stainless Steel

The Letters "CH" Define the Nominal Column Height:

30 = 30 inches [762 mm]
36 = 36 inches [914 mm]
42 = 42 inches [1067 mm]

Distributed By:

Optional Gas Control Panels (to be ordered separately)	
Single Nitrogen Control Panel	C-CONP-S-NIT