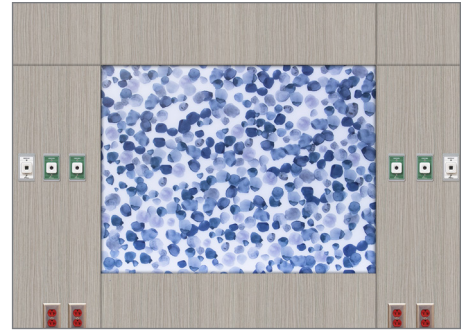




# LED Light Panel Installation Instructions



## A) LED Light Panel Installation (Surface Unit Mount)

1. Install the Termination Box (containing power supply) into the ceiling, in the vicinity of the LED light section.

**i** **NOTE:** Locate the power supply in the ceiling within 4 feet away from the light area.

**!** **IMPORTANT:** Before working on the lights, cut the power to room circuits via breaker panel(s) and make sure everything is safe.

2. Place LED Light Panel in location and use the pre-drilled hole locations to mount it to the tracks/studs provided on Amico panel wall (**Figure 1**), using screws provided by Amico (**Hardware 1**).

**!** **IMPORTANT:** To avoid the light panel pattern showing through 3form, make sure the light panel is flat and it is not flexed or bent.

**!** **IMPORTANT:** To avoid damages, do not use bigger screws for LED light panel.

**!** **IMPORTANT:** To avoid the LED light panel from cracking or getting damaged, do not overtighten the screws.

3. Attach the LED light panel to the adapter box using "Y" connector, and connect it to the power supply.

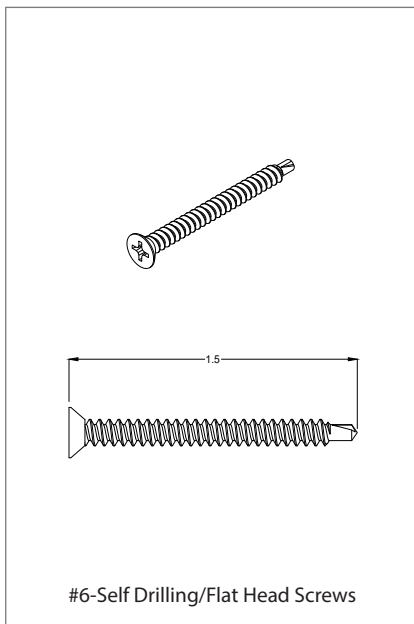
**i** **NOTE:** Low voltage cables are 10 feet long and will run through the frame on top of drywall.

4. (If applicable) Install J-Trim on the Acrylic Panel.

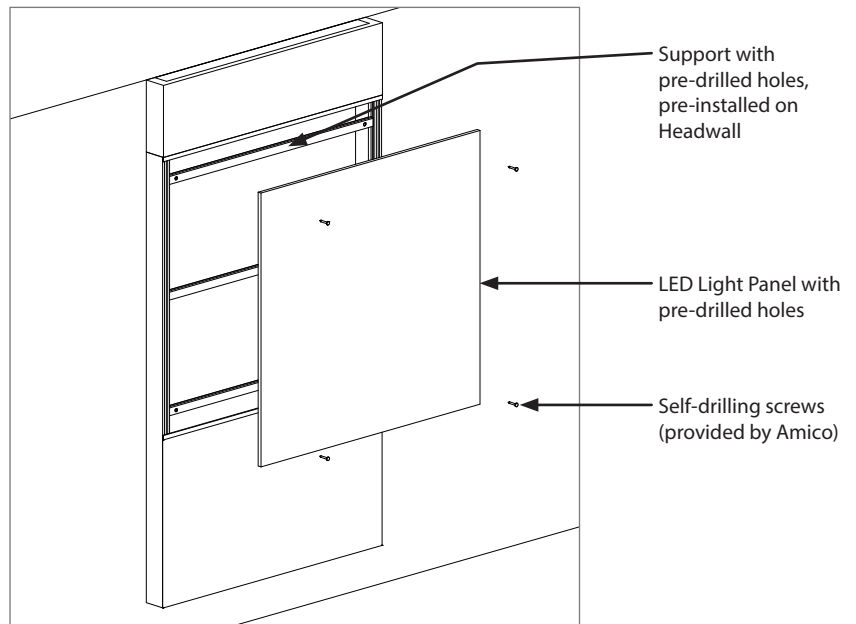
5. Insert Acrylic Panel using "lift and drop" or "standoff" methods, prior to installing the right frame (**Figure 3**).

**!** **IMPORTANT:** Please use extra care while inserting J-Trim on Acrylic Panel and when inserting the LED Light Panel in the frame because the back of these panels can scratch easily.

**Hardware 1**

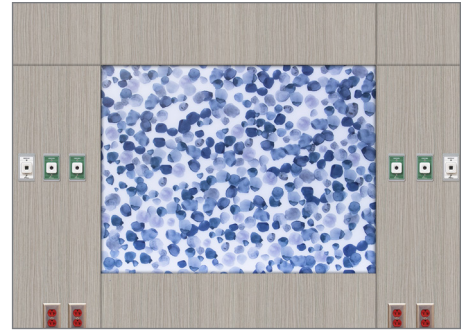


**Figure 1**

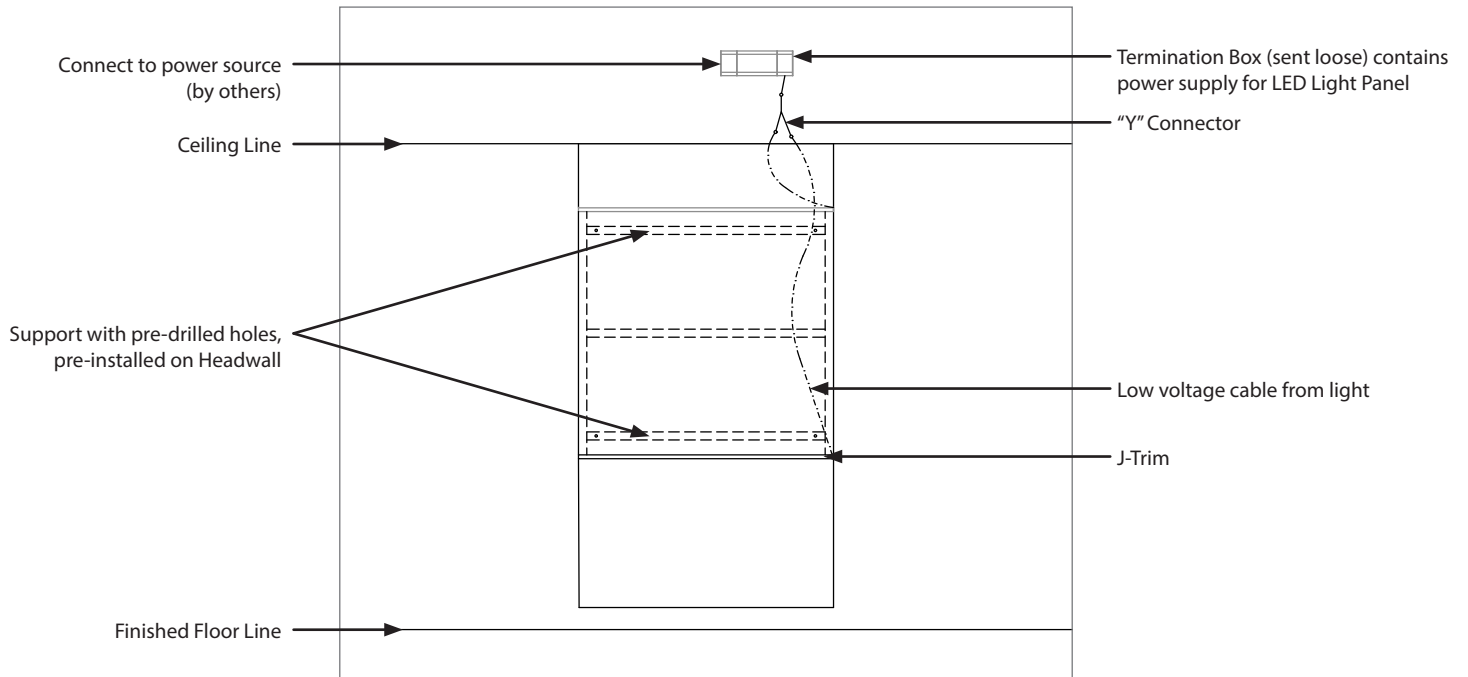


# LED Light Panel

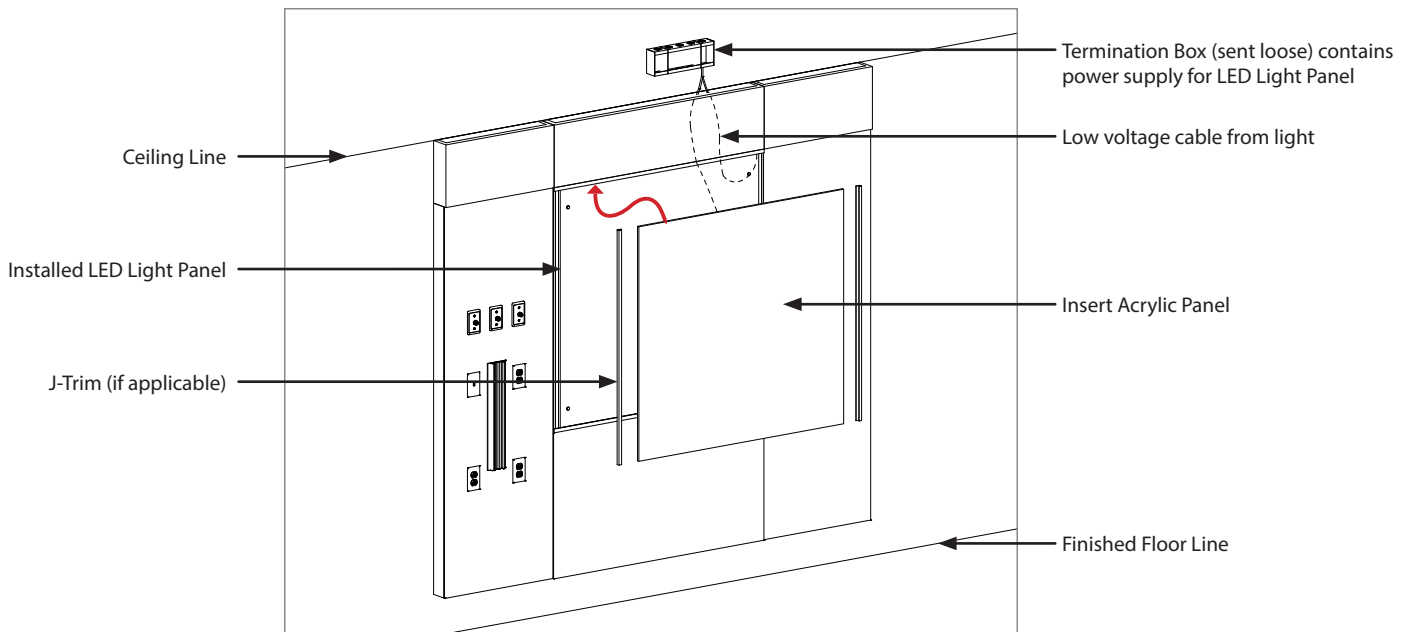
## Installation Instructions



**Figure 2**



**Figure 3**



**Acrylic Panel Installation**

# LED Light Panel

## Installation Instructions



### B) LED Light Panel Installation (NuLook Skeleton, Recessed)

1. Install the Termination Box (containing power supply) into the ceiling, in the vicinity of the LED light section.

**i** **NOTE:** Locate the power supply in the ceiling within 4 feet away from the light area.

**!** **IMPORTANT:** Before working on the lights, cut the power to room circuits via breaker panel(s) and make sure everything is safe.

2. Place LED Light Panel in location and mount to the drywall using hardware provided by others.

**!** **IMPORTANT:** To avoid the light panel pattern showing through 3form, make sure the light panel is flat and it is not flexed or bent.

**!** **IMPORTANT:** To avoid damages, do not use bigger screws for LED light panel.

**!** **IMPORTANT:** To avoid the LED light panel from cracking or getting damaged, do not overtighten the screws.

3. Attach the LED light panel to the adapter box using “Y” connector, and connect it to the power supply.

**i** **NOTE:** Low voltage cables are 10 feet long and will run through the frame on top of drywall.

4. (If applicable) Install J-Trim on the Acrylic Panel.

5. (If applicable) Insert Acrylic Panel using “lift and drop” or “standoff” methods, prior to installing the right frame (**Figure 3**).

**!** **IMPORTANT:** Please use extra care while inserting J-Trim on Acrylic Panel and when inserting the LED Light Panel in the frame because the back of these panels are prone to scratch easily.

**Figure 4**

