

Installation Instructions

Majestic Series Single Tier



Horizontal Headwall

Note

Headwall installation should conform to local building codes

The installation instructions provided are for the Amico standard products. Slight modifications to the installations may be required. The product shipped to the job site may not be exactly as shown on the installation drawings.

Caution

Please do not lift headwall by the plastic end caps

Before Installation

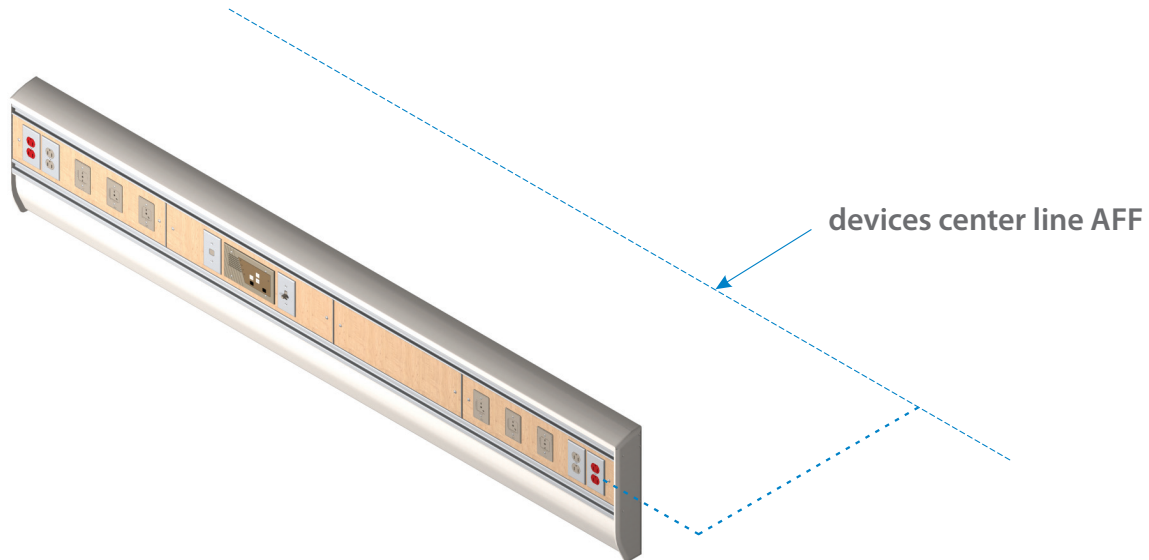
1. Review a copy of the final approved shop drawing(s) and/or submittal package. These documents will provide you with technical information specific to your installation, such as:
 - equipment types and quantities
 - room numbers and location
 - shop drawings of each unit type
 - wiring diagrams and rough-in locations
2. Locate the headwall unit from the shipping boxes that you wish to install. The contents of each shipping box are listed on the shipping document(s).

For Seismic Installation:

See Page 7

Installation

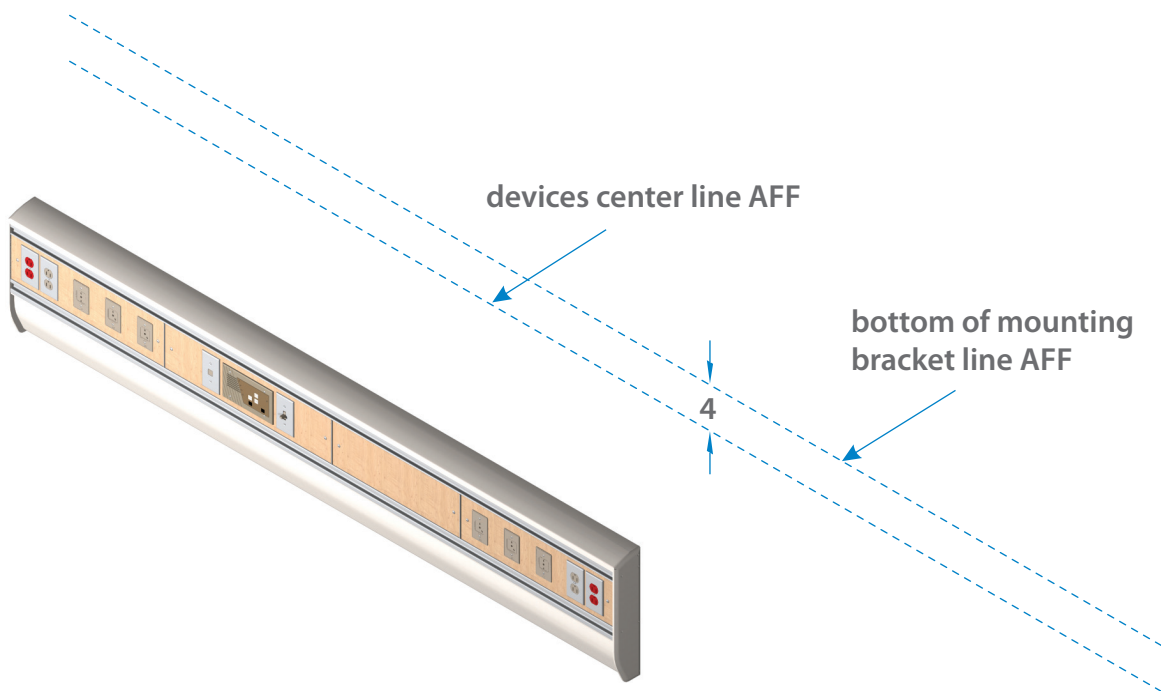
1. Using shop drawings, mark both devices center line AFF (above finished floor) on wall.



Note

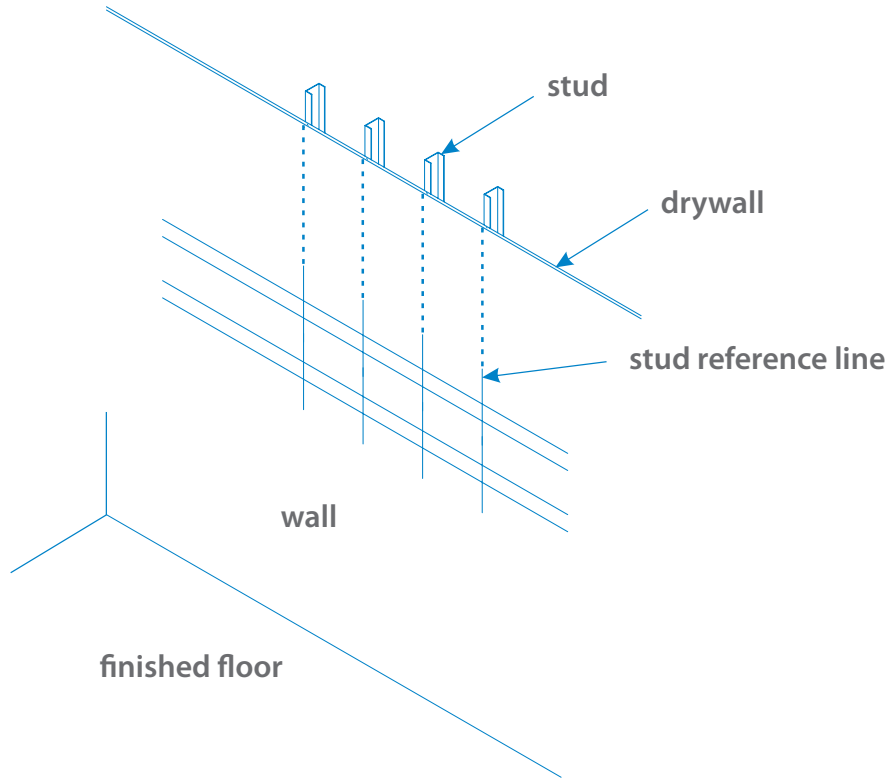
Unit shown for reference only

2. Mark horizontal line for bottom of mounting bracket (to be installed later). This line is to be offset 4" (102 mm) above devices center line.

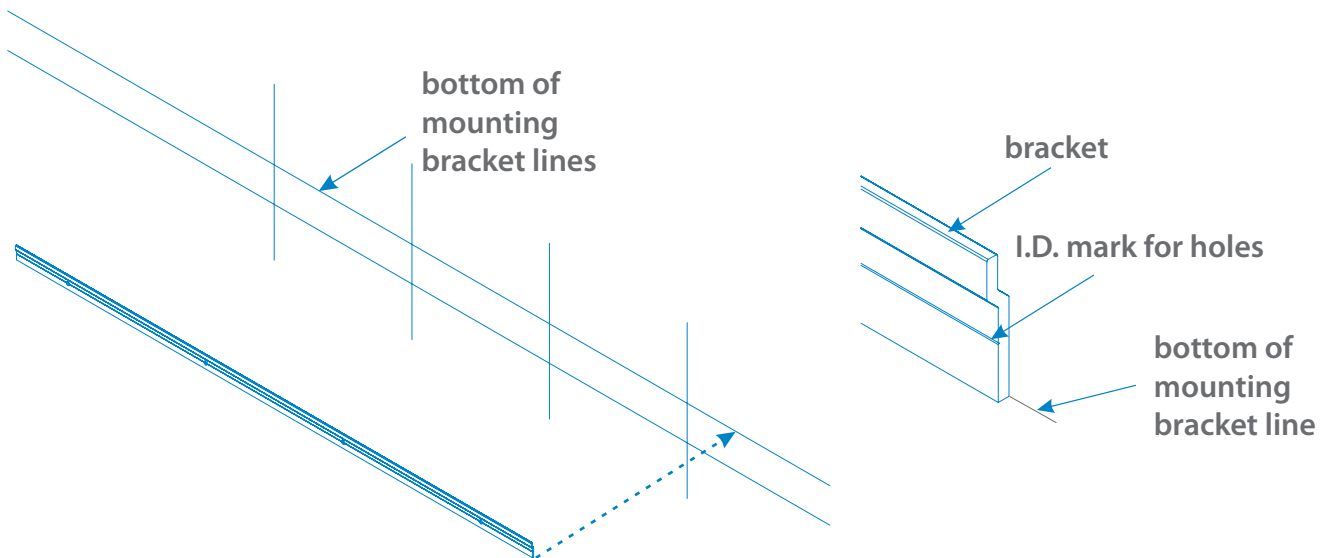


Installation

- Using a stud locator, mark the location of any metal studs in the building wall that intersect the headwall mounting location.

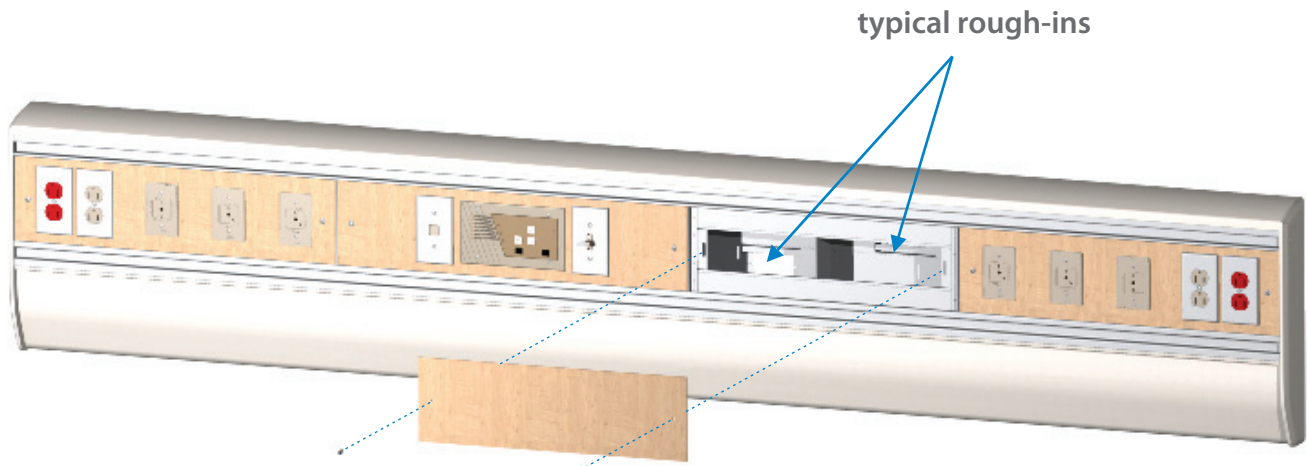


- Mount the bracket(s) on the wall using hardware compliant to local building codes (supplied by others). Align bracket(s) horizontally according to headwall mounting location. Refer to drawings. Bracket includes I.D. Marks for locating holes vertically, which are to be drilled on-site according to location of studs. Remember to align bottom of bracket to "bottom of bracket" line marked in step "2".

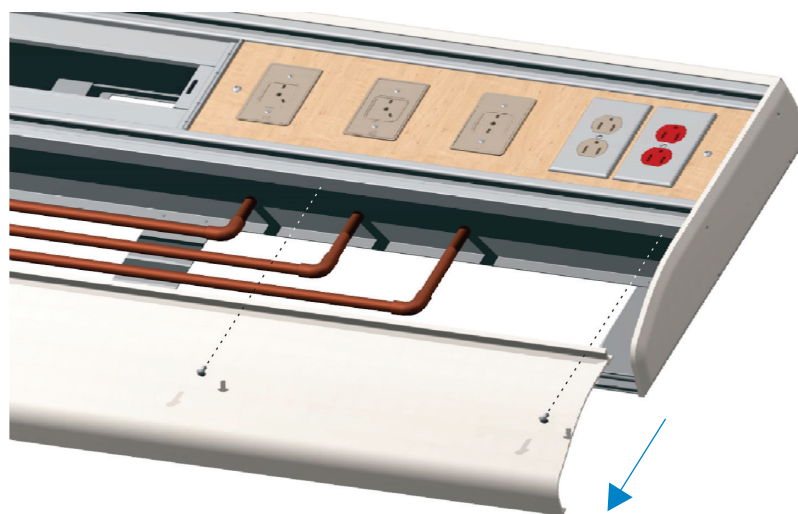


Installation

5. Check rough-in drawing(s) for electrical rough-in locations. Remove any device cover plates preventing removal of fascia, if necessary, then remove fascia panel(s) for access to rough-in locations.



6. Remove center and lower cover of headwall to expose medical gas pipes (on units having gases) and lower mounting area.

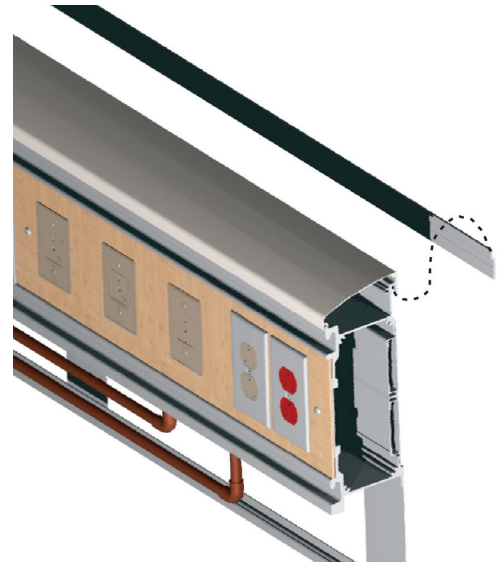


Installation

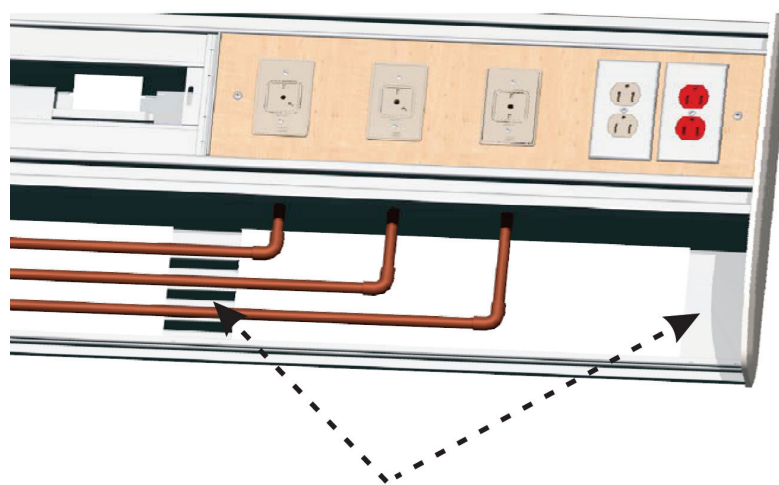
7. Hang the headwall unit on the wall, over the mounting bracket, and center the unit with reference to bed center line. Verify rough-in locations in wall and align with rough-in provisions on headwall.

Note

End plate and cover removed in this view to show detail. Do not remove!



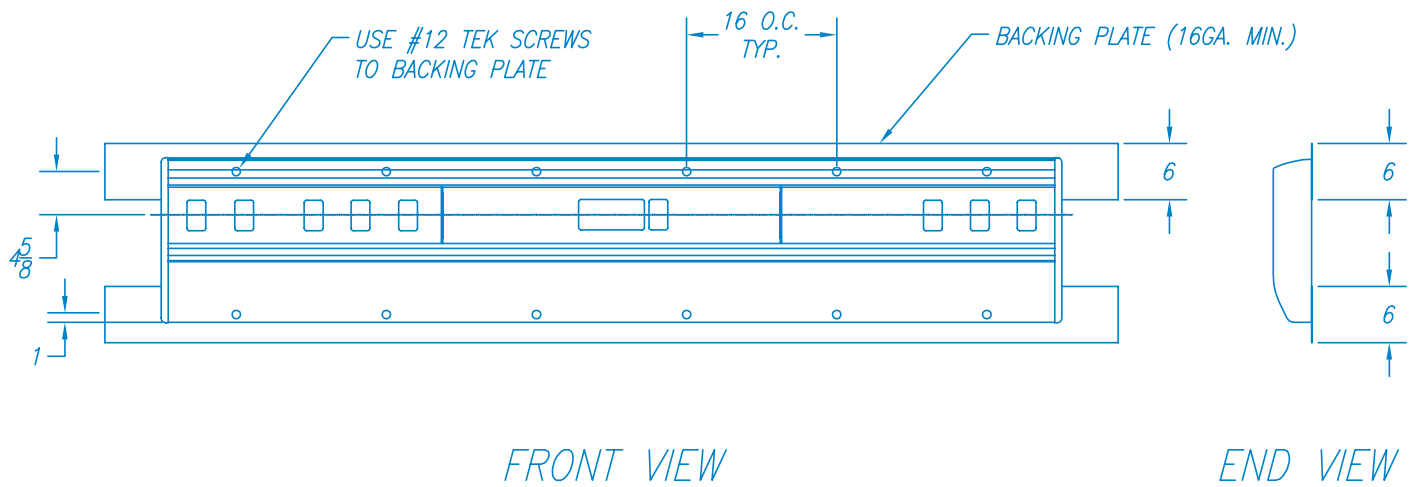
8. Make all necessary medical gas and electrical connections at rough-in locations.
9. Secure headwall to the wall through lower section using hardware compliant to local building codes (provided by others). Lower bracket is to be drilled on-site according to stud location. Replace lower headwall cover when done.



lower mounting locations

10. Replace any fascia panels and covers removed in step 5 and 6.

Seismic Installation



For Seismic Installation

1. Backing plate shall be minimum 16 ga. steel along the full width of headwall, and attached to building structure using #12 tek screws
2. Headwall shall be attached to backing plate using #12 tek screws at 16" o.c.

www.amico.com

Amico Corporation | 85 Fulton Way, Richmond Hill, ON L4B 2N4, Canada
600 Prime Place, Hauppauge, NY 11788, USA
Toll Free Tel: 1.877.462.6426 | Tel: 905.764.0800 | Fax: 905.764.0862
Email: info@amico.com | www.amico.com

