

Installation Instructions

Majestic Series



Recessed Horizontal Headwall
Double Tier



User Responsibility


The installation instructions provided are for the Amico standard products. Slight modifications to the installations may be required. The product shipped to the job site may not be exactly as shown on the installation drawings. See additional sheets for project specifics where required.


IMPORTANT: PLEASE READ CAREFULLY PRIOR TO START


- Review and understand all instructions before commencing work.
- Recessed Horizontal Headwall installation should conform to the local building codes.

All on-site preparations must be done prior to the delivery of the Recessed Horizontal Headwalls. Please contact Amico to confirm and review all information listed below. Failing to do so may result in discrepancies/misalignments during installation.

PLEASE NOTE THESE KEYWORDS AND SYMBOLS:

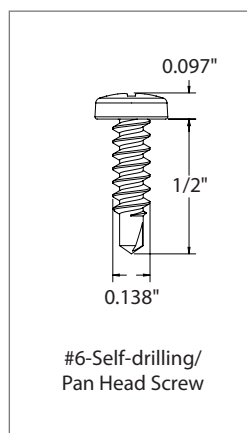
 **WARNING:** Steps where extra care should be taken to prevent injuries and damage.

 **NOTE:** Steps that point out helpful information.

 **IMPORTANT:** Be sure to observe this instruction.

Hardware Provided by Amico

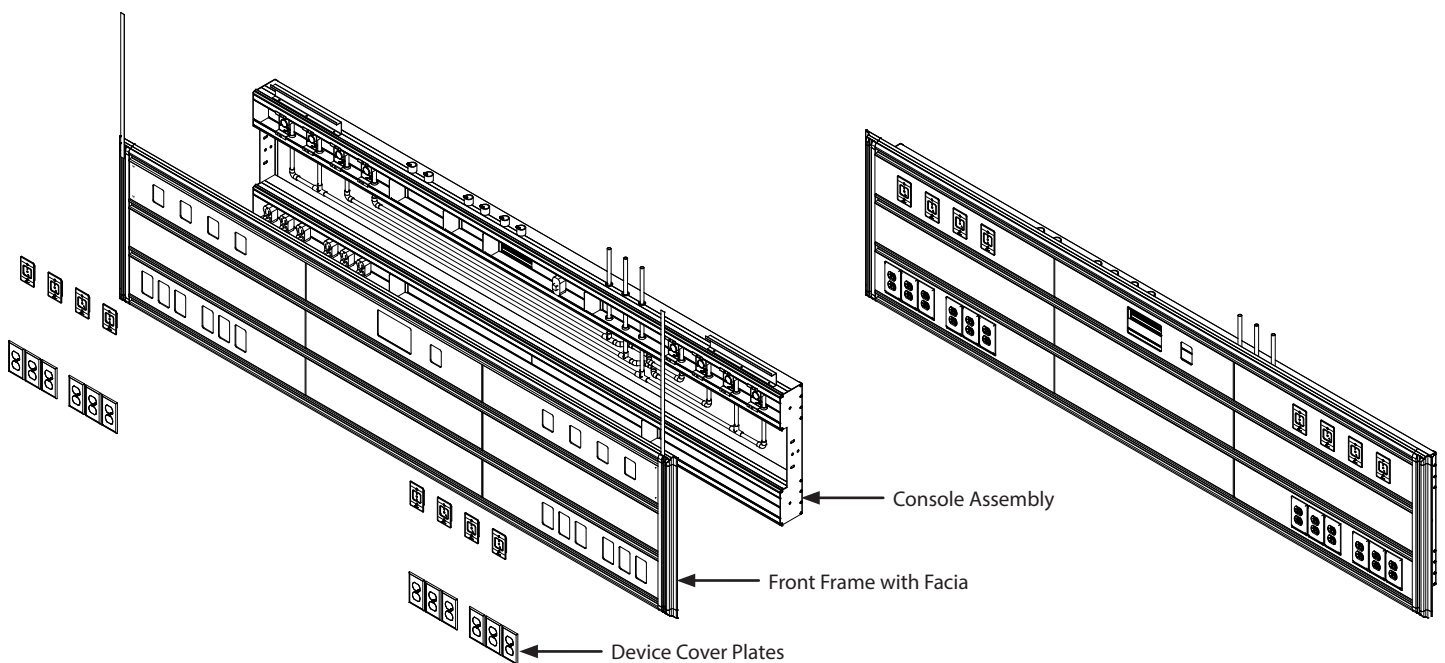
Hardware



Preparation Before Installation

1. Prepare the tools and hardware needed to complete the installation. Some common tools that may be required are:
 - Cordless drill/driver with common drill or drive bits
 - Hand tools (screwdrivers, wrenches, clamps, pliers, etc.)
 - Laser- or Bubble-level
 - Ladder(s)
 - Jigsaw or reciprocating saw
2. Review a copy of the final approved shop drawing(s). These documents will provide you with technical information specific to your installation, such as:
 - Unit types and quantities
 - Room numbers and locations
 - Shop drawings of each unit type
 - Wiring diagrams and rough-in locations
3. During the framing and rough-in stage, frame the opening in the wall to allow for installation of the recessed Headwall. Refer to the shop drawings for your particular headwall dimensions.

! **IMPORTANT:** Framing should provide adequate support for the weight of the headwall, including any accessories that may be mounted on the headwall during use. The weight on each vertical rail shall not exceed 20 lbs. The weight on each horizontal rail shall not exceed 80 lbs.
4. Locate the unit inside the crate that you wish to install. The contents of each crate are listed on the shipping document(s) and crate label.
 - One unit is shipped complete
 - Remaining units are shipped as components



Installation

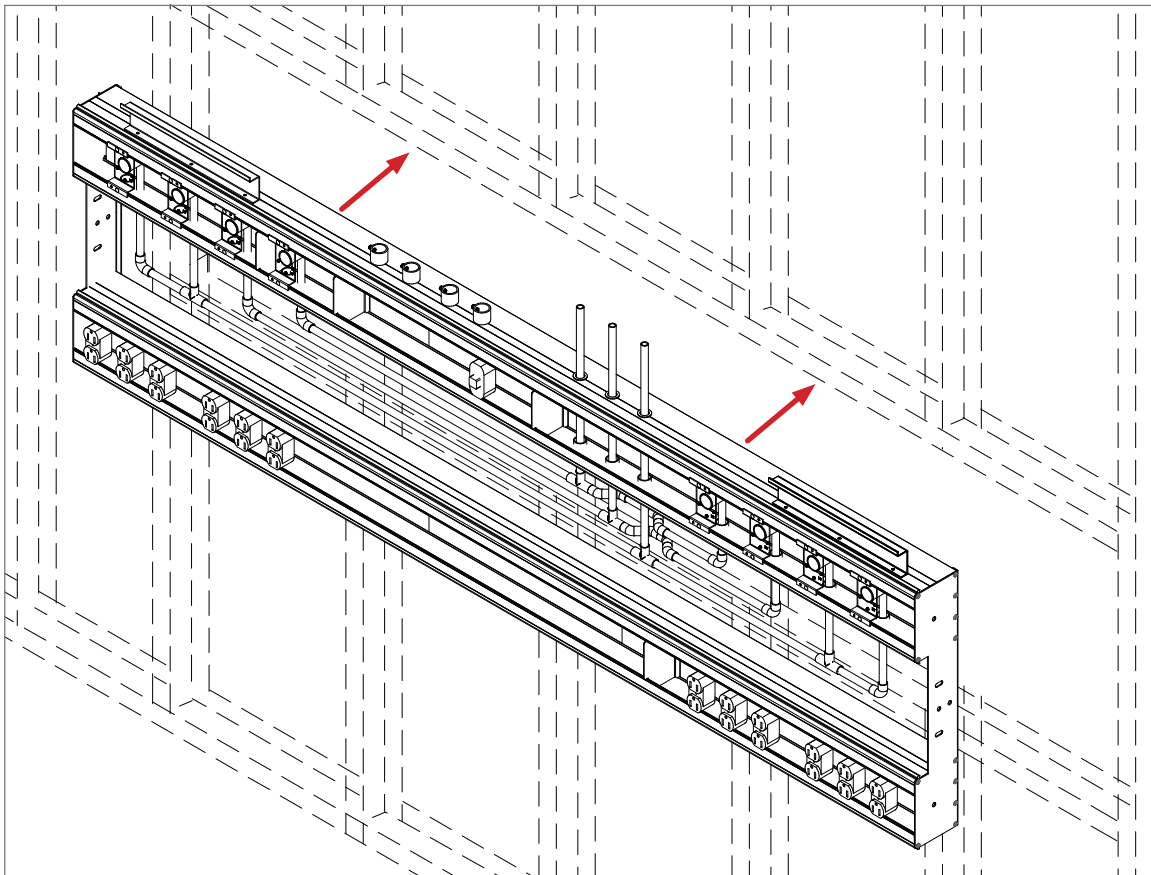
1. Place console assembly on the wall structure (**Figure 1**).

! **IMPORTANT:** Allow gap between console assembly to stud faces for project specific drywall thickness to be attached later.

- See **Figure 2** for 5/8" [16 mm] single drywall setup
- See **Figure 3** for 1-1/4" [16 mm] double drywall setup

i **NOTE:** Ensure that the mounting location, corresponds to the on-site rough-in locations for medical gas and electrical rough-ins.

Figure 1



2. Once the console assembly is in the correct position, attach the console assembly to the studs (hardware provided by others) using the holes on the side of the console assembly.

i **NOTE:** Hardware used to secure console assembly to the building studs should be compliant to the local building code.

Installation

! IMPORTANT: The console assembly should be mounted in such a way that, once drywall is installed, the frame will protrude 5/8" (16 mm) out of the wall (**Detail A, Detail B**)

Figure 2

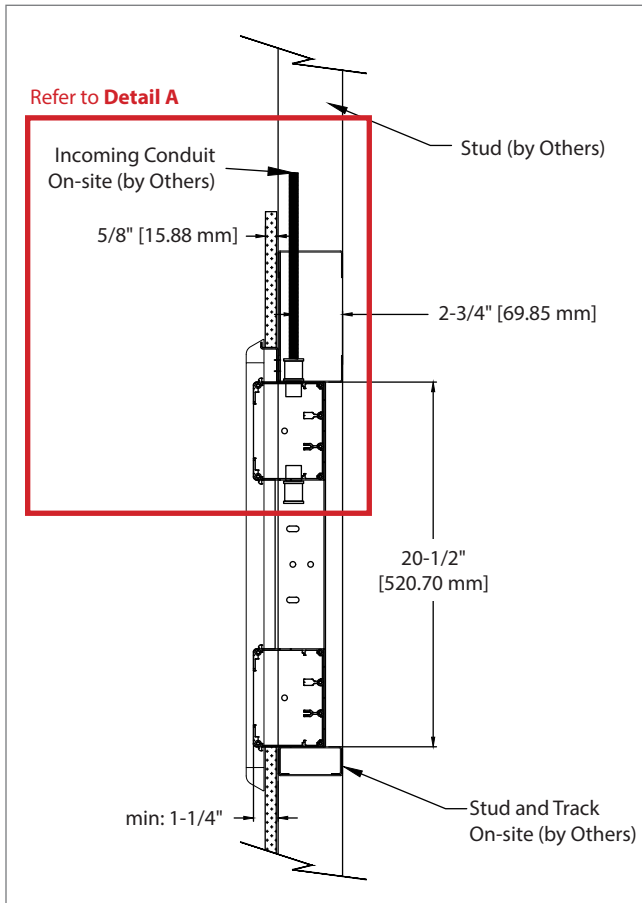
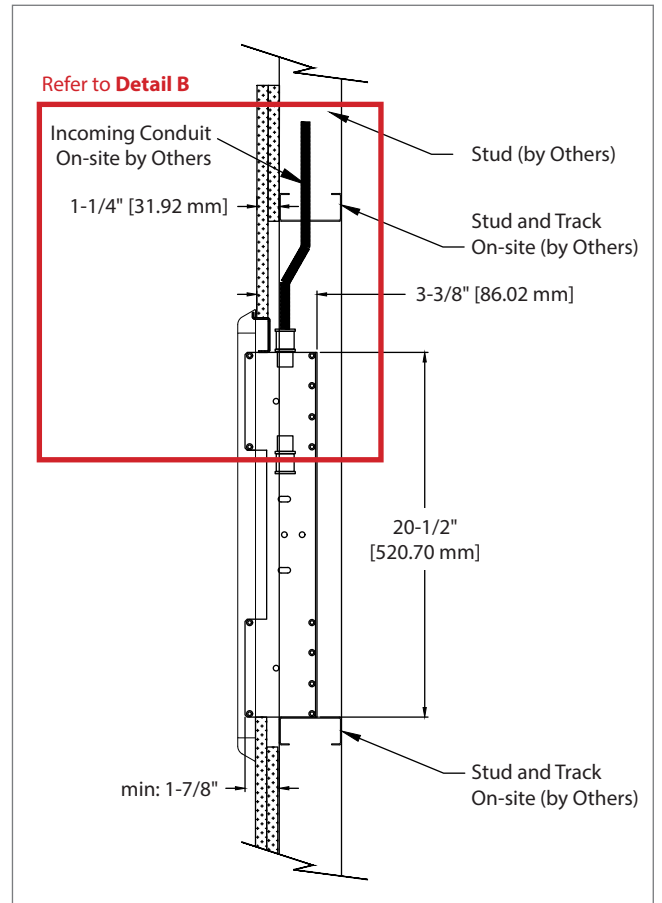
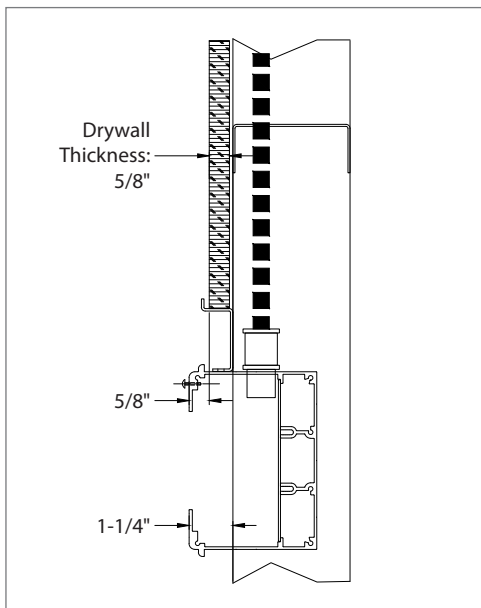


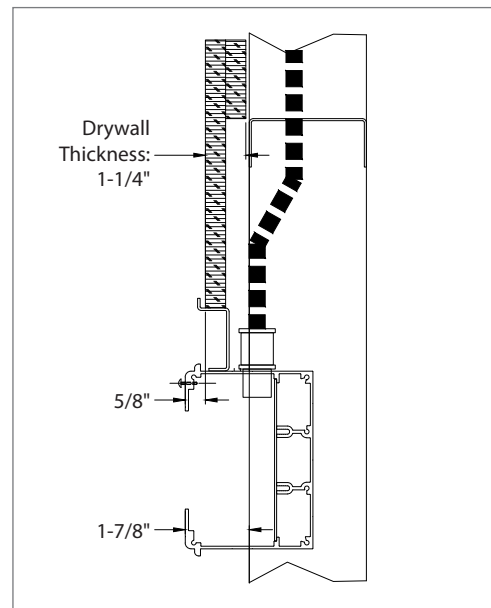
Figure 3



Detail A



Detail B



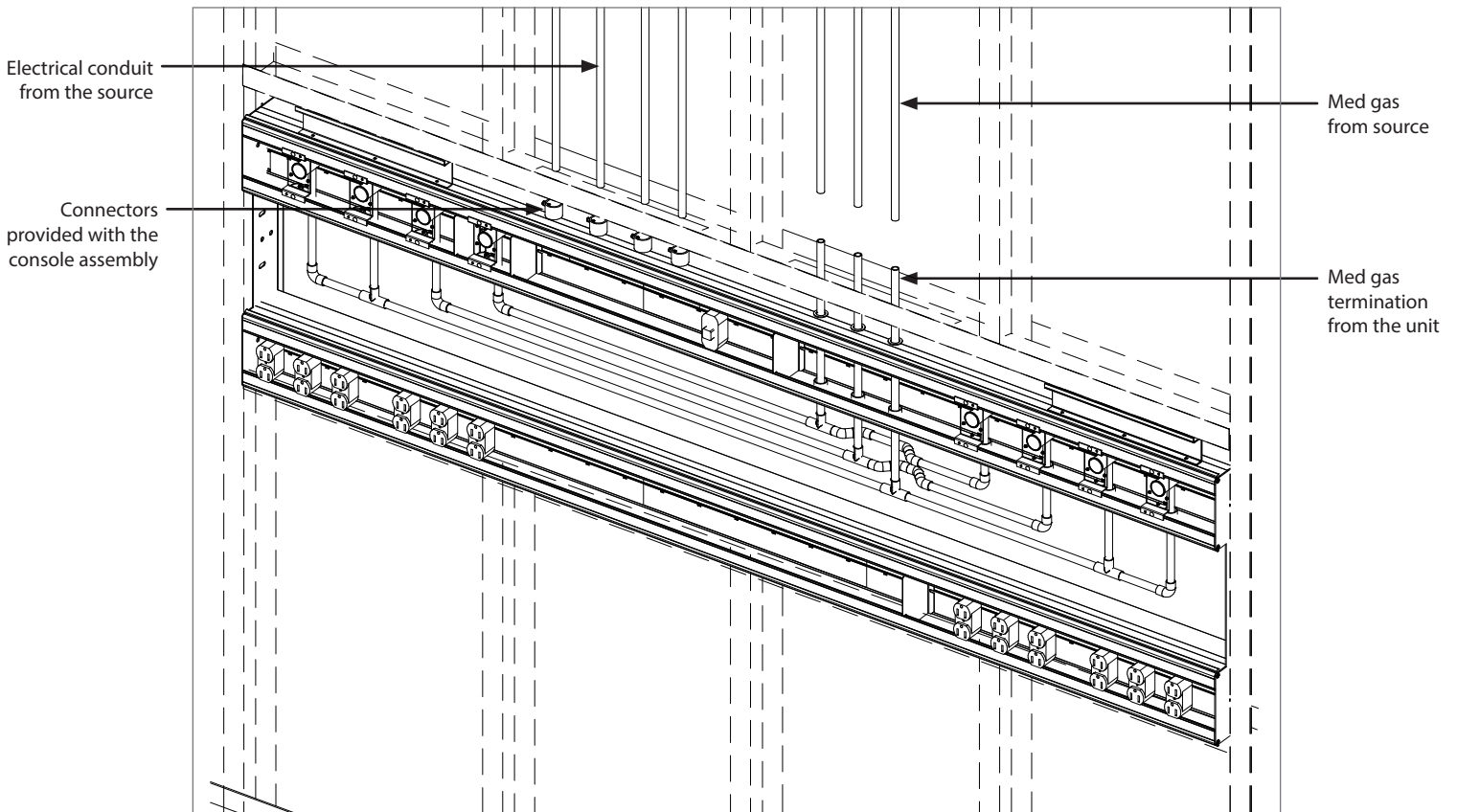
Installation

3. Connect on-site medical gas and electrical sources to the unit as per local building codes (**Figure 4**).

(i) NOTE: The Headwall is manifolded for a single point of connection for each medical gas.

(i) NOTE: Electrical devices are terminated at junction locations at the top of the unit. See project specific rough in drawings for exact rough-in locations.

Figure 4



(i) NOTE: The Med gas pipes from the source shown above is for single layer drywall. Please refer to **Figure 3** for the double layer drywall configuration.

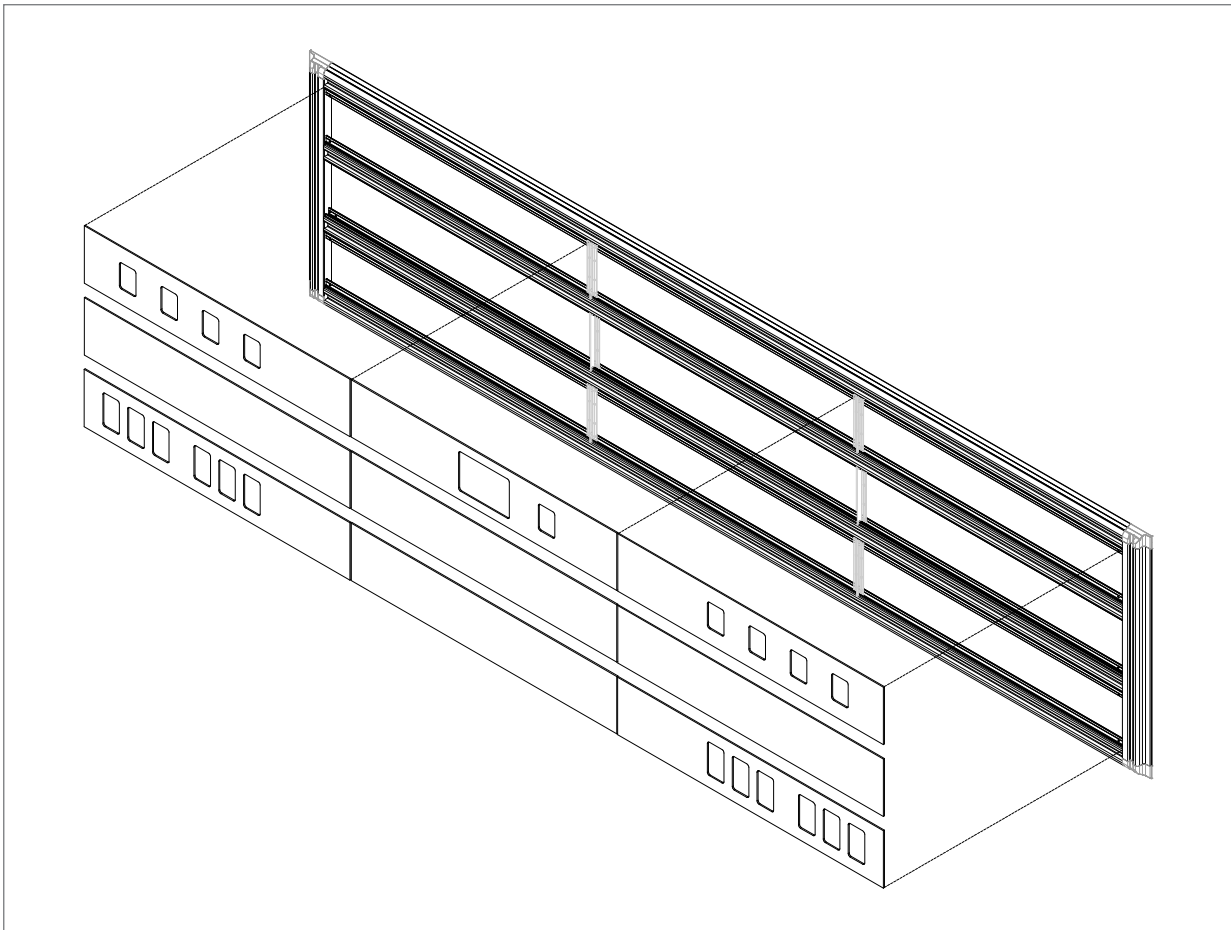
Installation

4. Cut and install drywall as needed around the console assembly. Tape and paint.

Front Frame Installation

1. Remove the facia by lifting the panels and pulling out of the assembly (**Figure 5**).

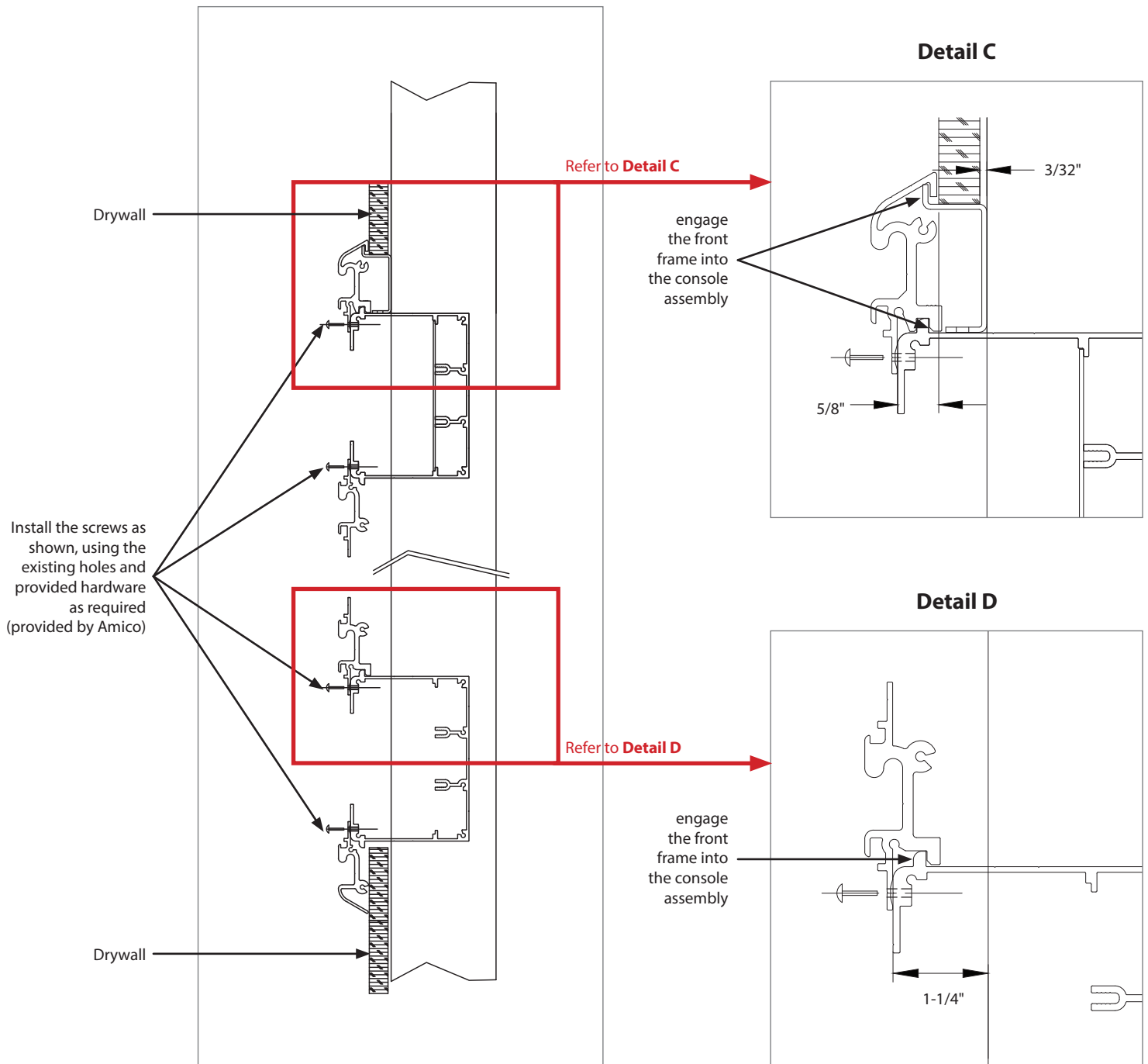
Figure 5



Front Frame Installation

2. Install the front frame into the console assembly using hardware provided (**Figure 6, Hardware 1**).

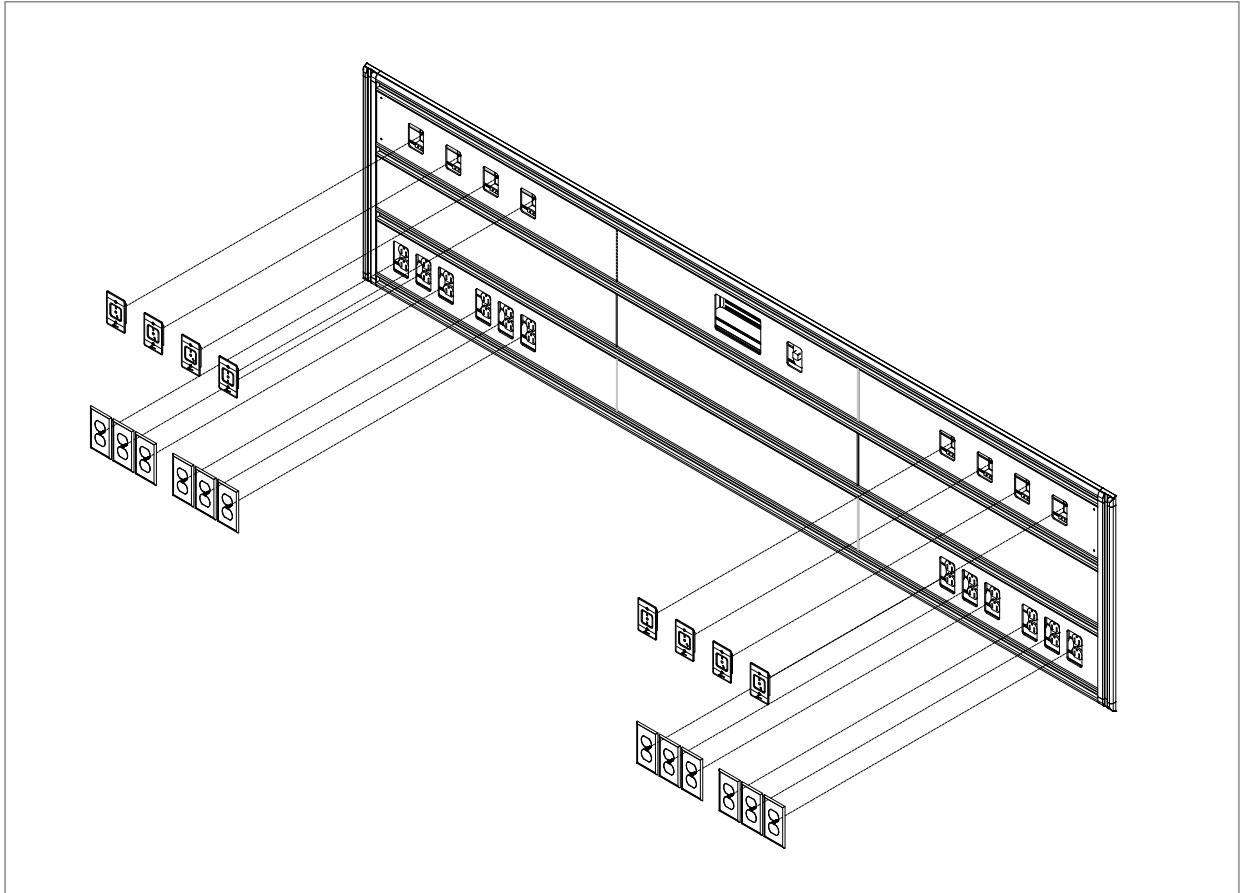
Figure 6



Front Frame Installation

3. Re-install the fascia into the front assembly using the lift and drop method.
4. Install the cover plates, trims and devices in the final locations (**Figure 7**).

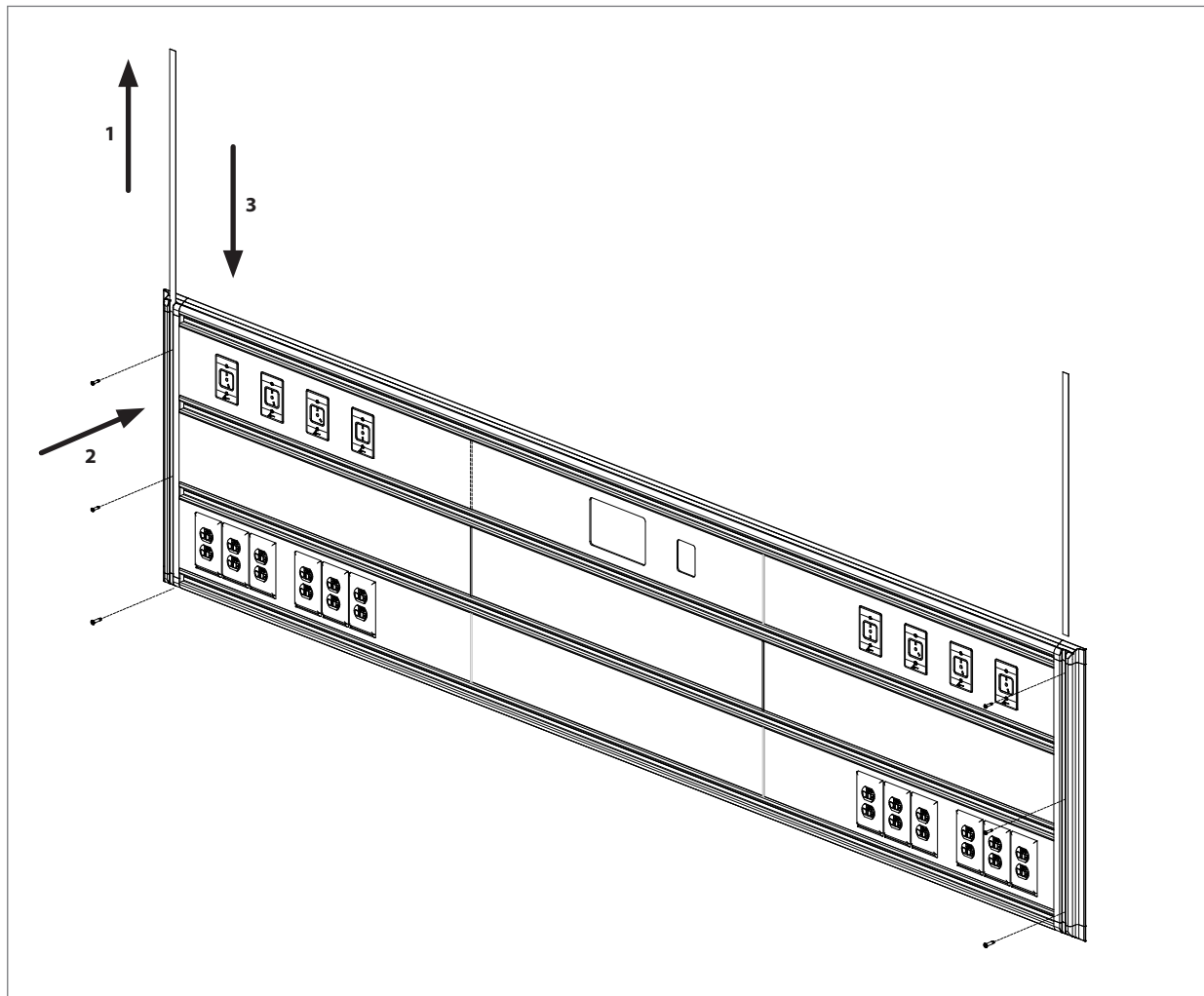
Figure 7



Front Frame Installation

5. Remove laminate strips located into the vertical rails (one on each side of the unit).
6. Install the rails into the wall studs through existing holes (hardware provided by others). (**Figure 8**).
7. Replace laminate strips back into the rail (**Figure 8**).

Figure 8



Notes

www.amico.com

Amico Corporation | 85 Fulton Way, Richmond Hill, ON L4B 2N4, Canada
600 Prime Place, Hauppauge, NY 11788, USA
Toll Free Tel: 1.877.462.6426 | Tel: 905.764.0800 | Fax: 905.764.0862
Email: info@amico.com | www.amico.com

