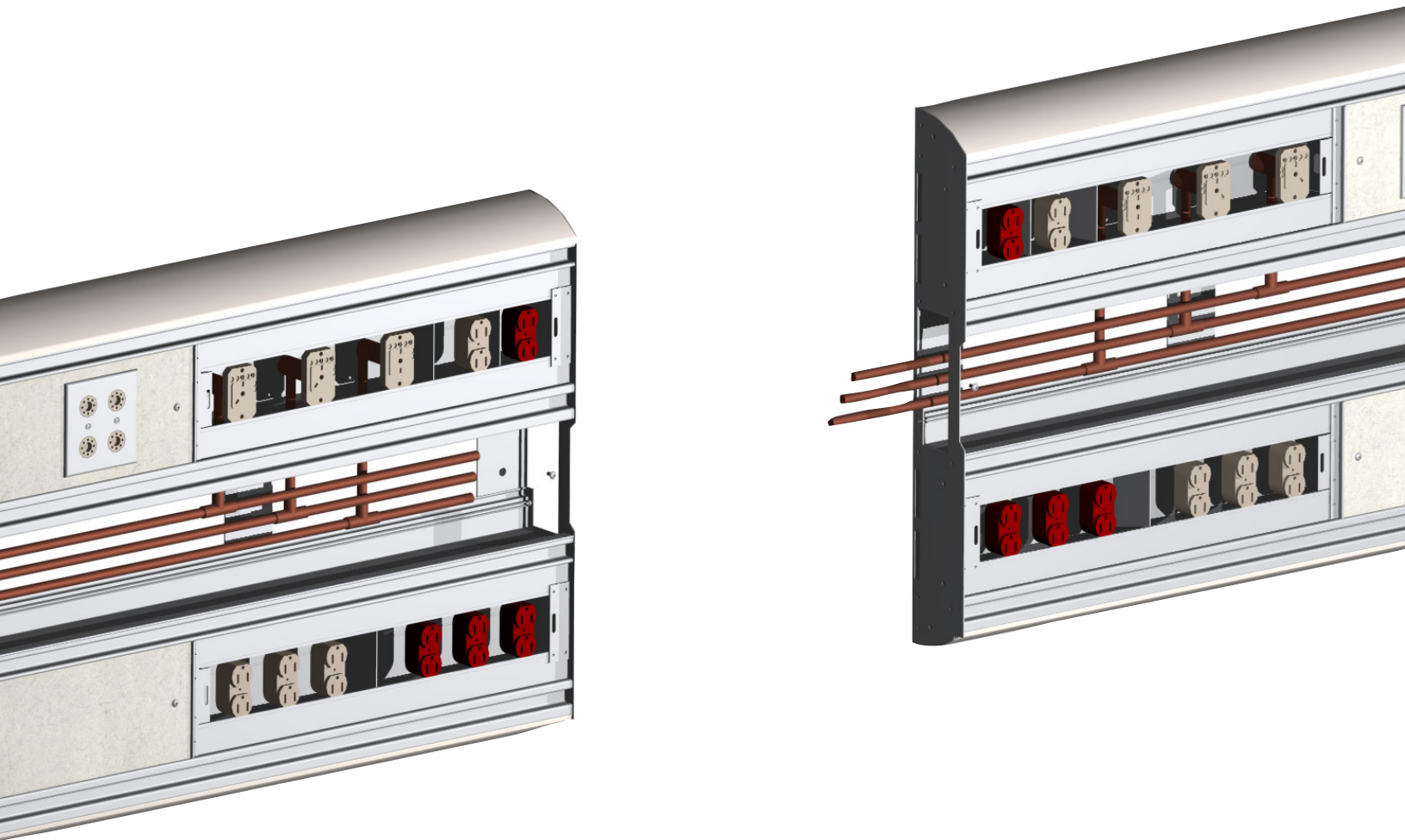


Installation Instructions

Majestic Series Horizontal Headwalls



Joining Two Horizontal Headwalls

Note

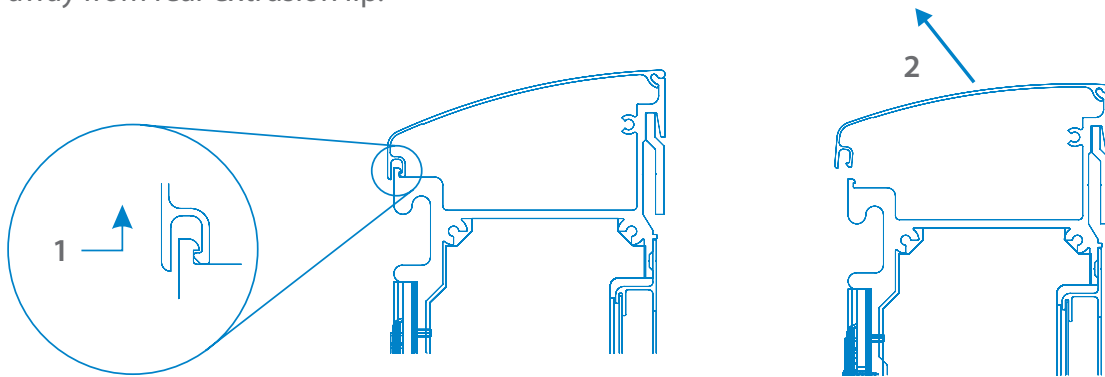
Before joining headwalls, secure headwalls to wall using separate installation instructions provided.

The installation instructions provided are for the Amico standard products. Slight modifications to the installations may be required. The product shipped to the job site may not be exactly as shown on the installation drawings.

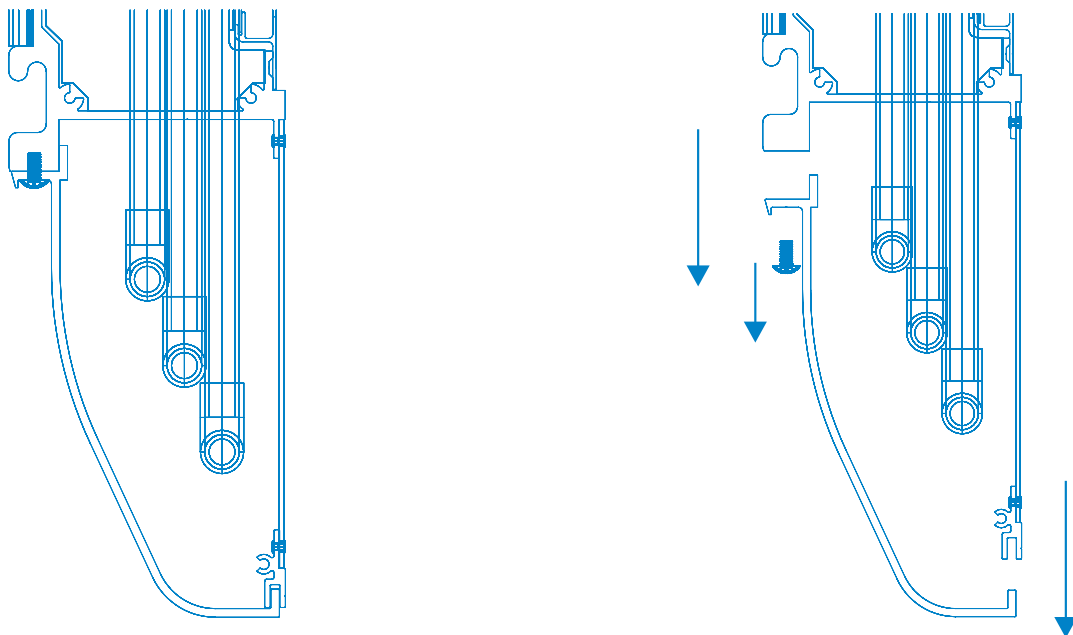
Installation

1. If in place, remove upper and lower covers of headwalls to be joined.

Remove **upper cover** by pushing front edge in and up around hook and pulling cover up and away from rear extrusion lip.



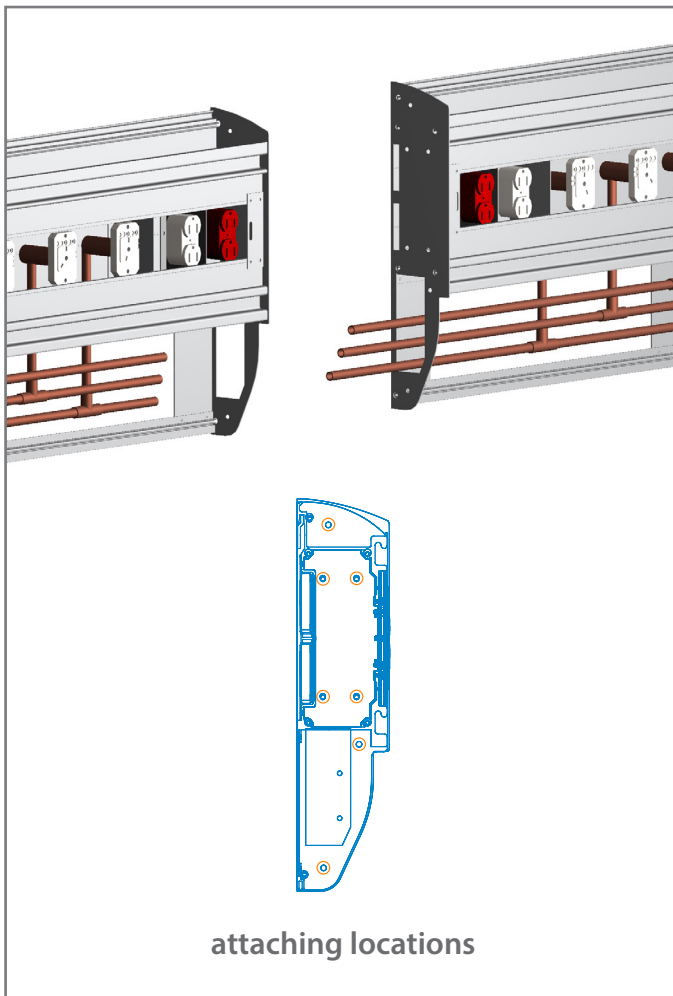
Remove lower cover by removing screws which hold it in place and lowering cover away from rear notch.



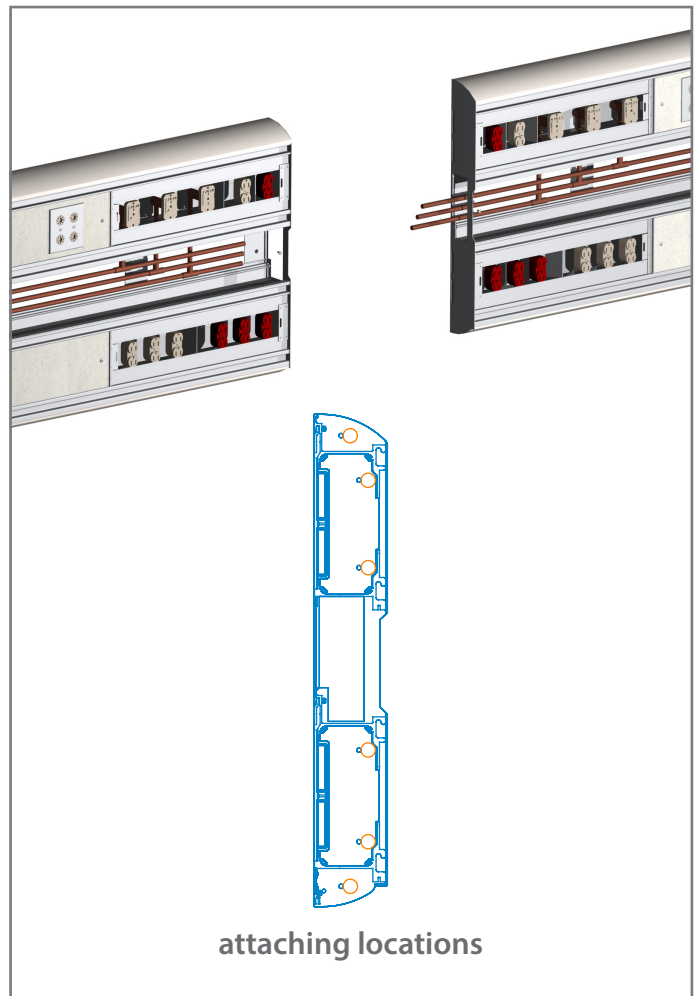
Installation

2. Make sure gases line up on each headwall.
3. Connect electrical wiring between each headwall (wires are labelled).
4. Fasten horizontal headwall sections together using 1/4" bolts and nuts (provided) at locations shown, while ensuring headwalls remain level.
5. Braze piping between headwalls.

Single tier horizontal headwall



Double tier horizontal headwall



www.amico.com

Amico Corporation | 85 Fulton Way, Richmond Hill, ON L4B 2N4, Canada
600 Prime Place, Hauppauge, NY 11788, USA
Toll Free Tel: 1.877.462.6426 | Tel: 905.764.0800 | Fax: 905.764.0862
Email: info@amico.com | www.amico.com

