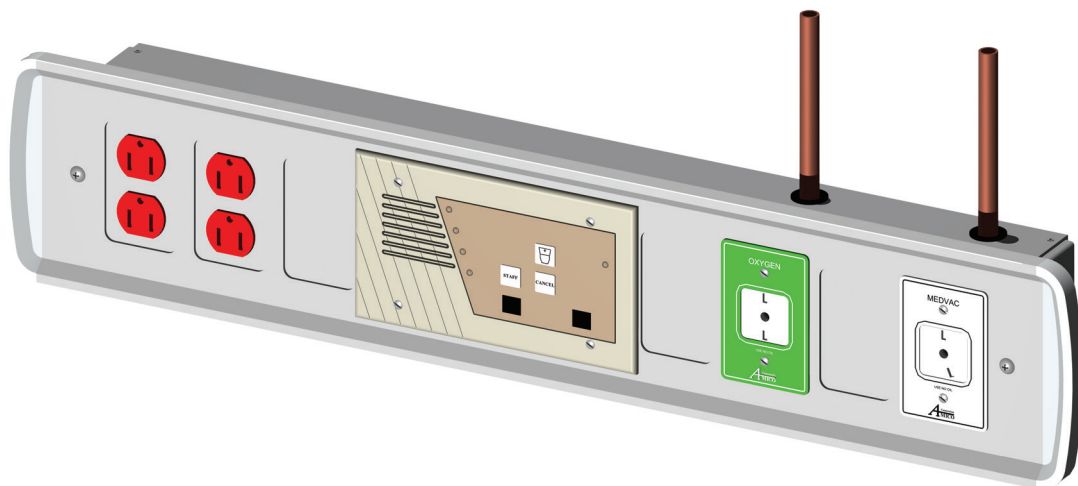


Installation Instructions

Recessed Console Unit

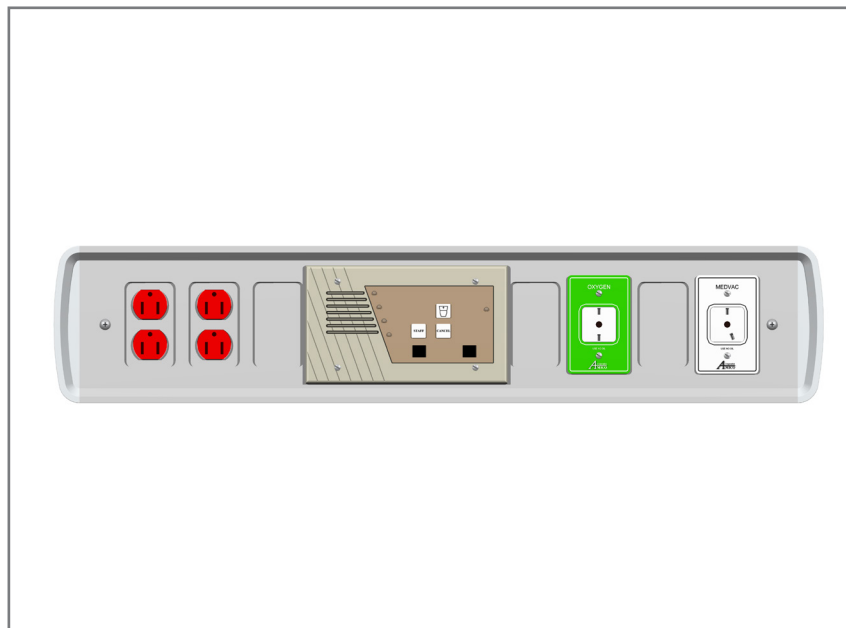


Note: Security console installation should conform to local building codes

The installation instructions provided are for the Amico standard products. Slight modifications to the installations may be required. The product shipped to the job site may not be exactly as shown on the installation drawings.

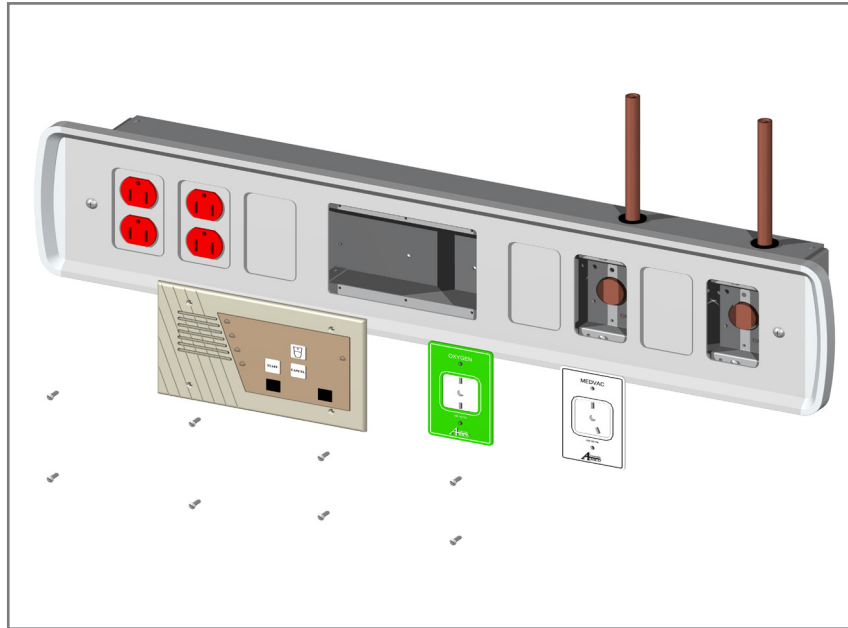
Before Installation

1. Review a copy of the final approved shop drawing(s) and/or submittal package. These documents will provide you with technical information specific to your installation, such as:
 - equipment types & quantities
 - room numbers and location
 - shop drawings of each unit type
2. Locate the console unit from the shipping boxes that you wish to install. The contents of each shipping box are listed on the shipping document(s).

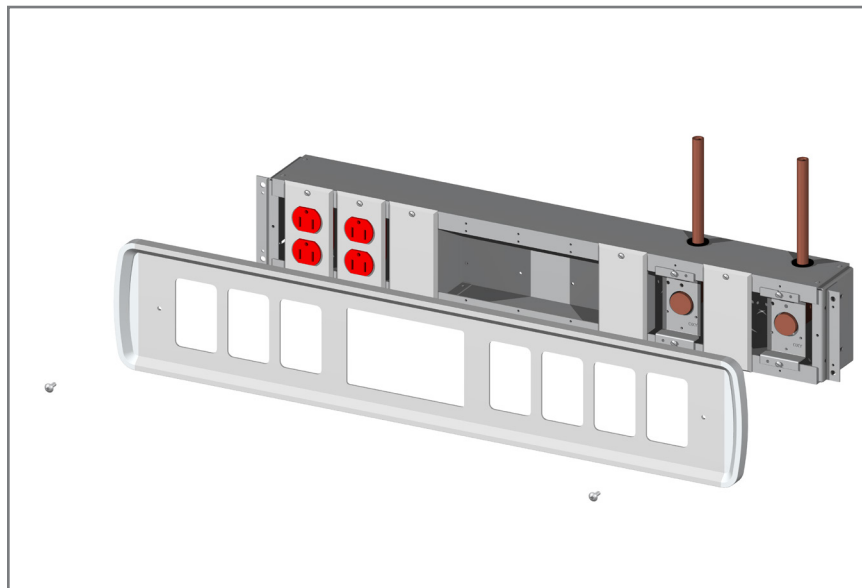


Installation

1. Remove gas cover plates and devices by loosening any screws. Place everything in a safe and clean location.



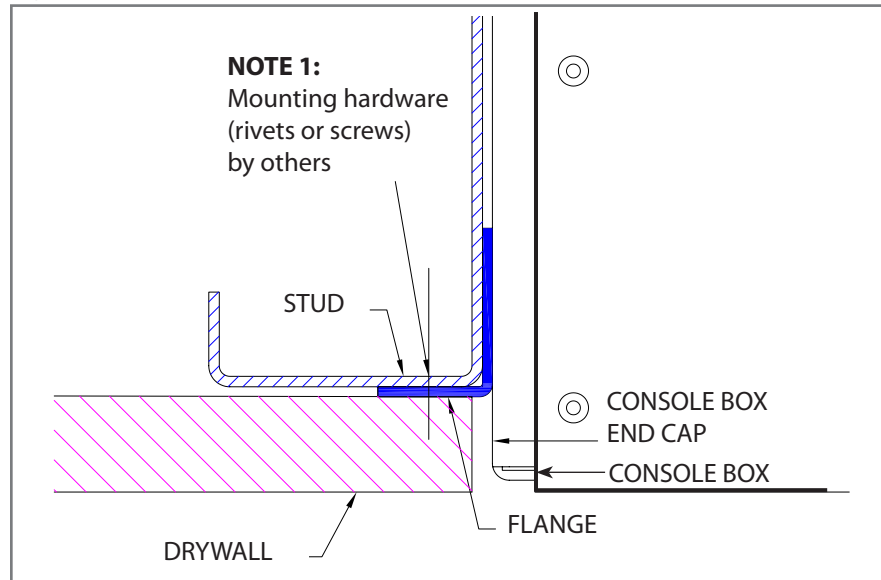
2. Remove the fascia by loosening the 2 screws (1 on each side) attaching it to the console. Place everything in a safe and clean location.



3. The console should be flush with the finished drywall after installation (see Fig. 1). Check the positioning of the flanges to determine if adjustment of the flanges is necessary. If adjustment is not required, skip steps 4 through 8, and proceed with step 9.

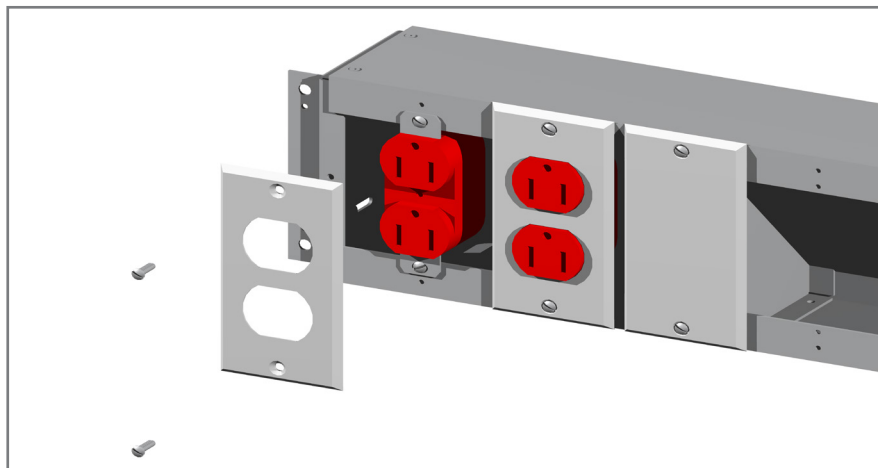
NOTE: The flanges are preset for 5/8" drywall.

Fig 1

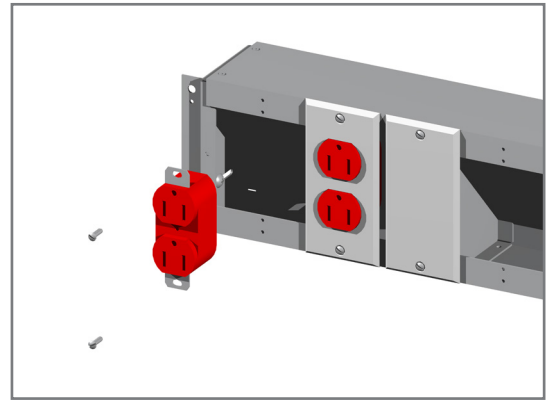


NOTE: Go to step 9 if flanges do not require adjustment

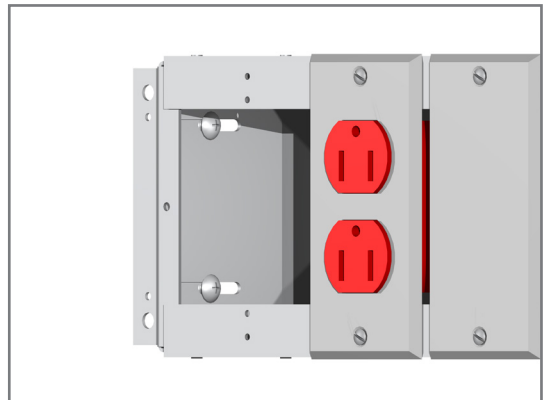
4. Remove any aluminum device covers that are blocking access to the screws (2 per flange) holding the flange to the console box. This is done by loosening the screws (typically 2 per cover) attaching it to the console box. Place everything in a safe and clean location.



5. Remove any devices that are blocking access to the flange crews. Place everything in a safe and clean location.



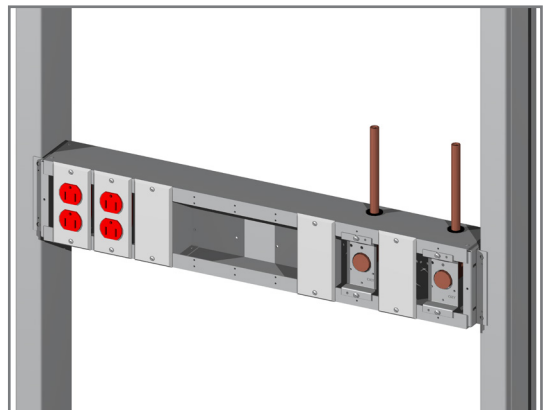
6. Loosen the 2 flange screws and make necessary adjustments on both sides.



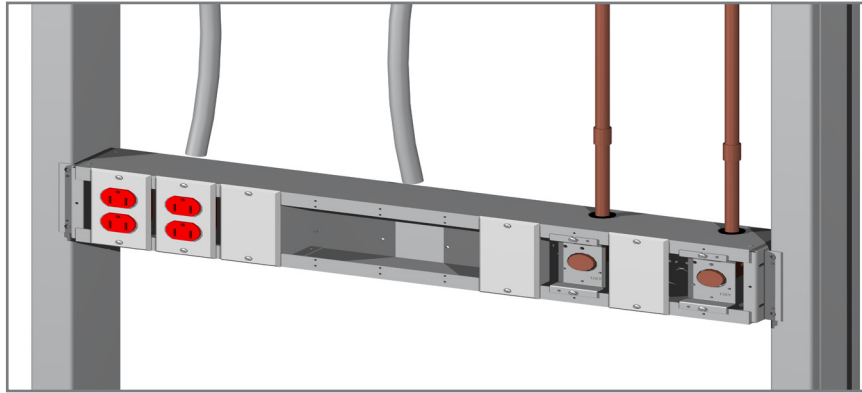
7. Replace the devices removed in step 5.

8. Replace the aluminum device covers removed in step 4.

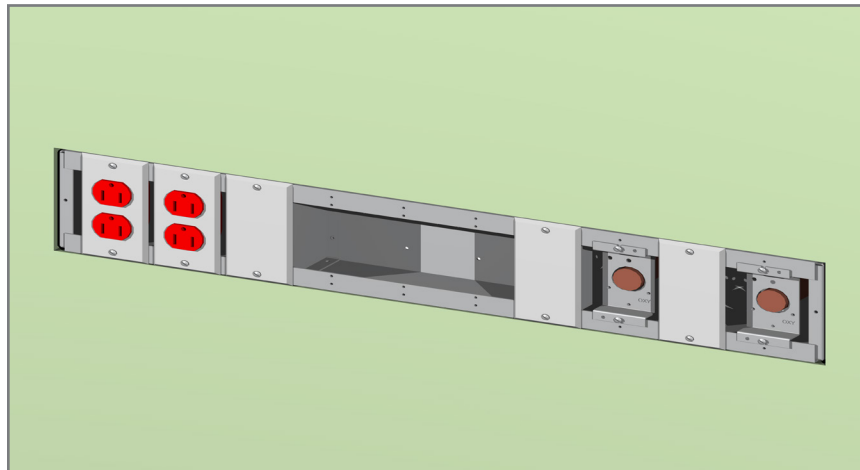
9. Mount the console box by using rivets or screws to attach the flanges (2 on each side) to the studs (See Fig. 1, NOTE 1). See architectural drawings for mounting heights. Also coordinate mounting heights with contractor on site.



10. Make all on-site gas and electrical connections, and perform any wiring required. If it is necessary to remove an aluminum device plate to wire a device, do so by loosening the screws (typically 2 per cover) attaching it to the console box.



11. Install drywall (by others).



12. Reassemble the fascia removed in step 2.
13. Reassemble the electrical and gas cover plates removed in step 1.

Finished Product



Other Installation Notes

1. Division 15 to connect gas stubs on console to building medical gas supply lines previously roughed in.
2. Division 16 to feed electrical conduits through top or back of consoles into ceiling space for connection to normal, emergency and low voltage boxes provided in ceiling space by division 16 contractor.

www.amico.com

Amico Corporation | 85 Fulton Way, Richmond Hill, ON L4B 2N4, Canada
600 Prime Place, Hauppauge, NY 11788, USA
Toll Free Tel: 1.877.462.6426 | Tel: 905.764.0800 | Fax: 905.764.0862
Email: info@amico.com | www.amico.com

