

Installation Instructions

Reflection Series Artwall



Amico

User Responsibility


The installation instructions provided are for the Amico standard products. Slight modifications to the installations may be required. The product shipped to the job site may not be exactly as shown on the installation drawings. See additional sheets for project specifics where required.


IMPORTANT: PLEASE READ CAREFULLY PRIOR TO START


- Review and understand all instructions before commencing work.
- Artwall installation should conform to the local building codes.

All on-site preparations must be done prior to the delivery of the Artwall. Please contact Amico to confirm and review all information listed below. Failing to do so may result in discrepancies/misalignments during installation.

Please Note These Keywords and Symbols:

 **WARNING:** Steps where extra care should be taken to prevent injuries and damage.

 **NOTE:** Steps that point out helpful information.

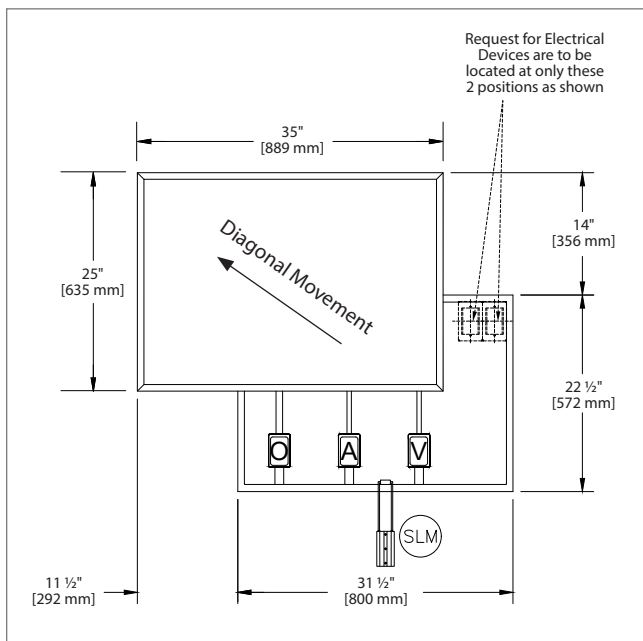
 **IMPORTANT:** Be sure to observe this instruction.

Preparation Before Installation

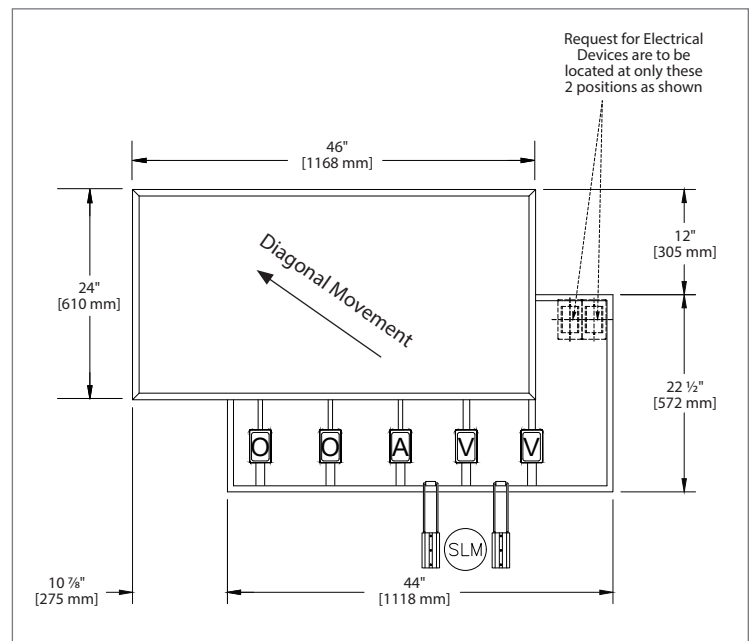
1. Review a copy of the final approved shop drawing(s) and/or submittal package. These documents will provide you with technical information specific to your installation, such as:
 - Equipment types and quantities
 - Room numbers and locations
 - Shop drawings of each unit type
 - Wiring diagrams and rough-in locations
2. Prepare the tools and hardware needed to complete the installation. Some common tools that may be required are:
 - Cordless drill/driver with common drill or drive bits
 - Hand tools (screwdrivers, 5/16" wrenches, clamps, pliers, etc.)
 - Laser- or Bubble-level
 - Ladder(s)
3. Locate the Artwall unit from the shipping boxes. The contents of each shipping box are listed on the shipping document(s).

! IMPORTANT: Before installation of the Artwall, ensure wall is framed and roughed in as per applicable building standards to accept Artwall back box. Allow 1/8" space on each side to allow for adjustment. Back box sizes are as follows:

- 3-gas box – 30 1/8" w x 21 1/8" h
- 5-gas box – 42 5/8" w x 21 1/8" h



3-Gas Box



5-Gas Box

Installation

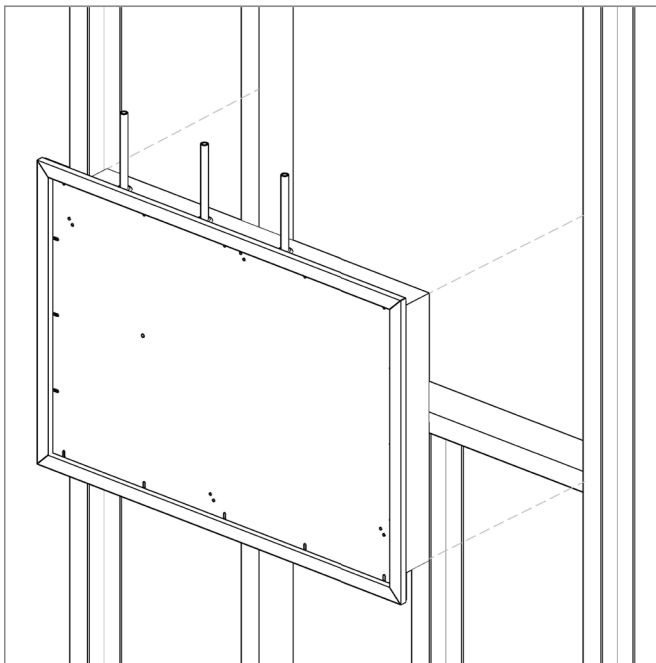
1. Place the Artwall Back Box on the wall structure (See **Figures 1 & 2**).

! IMPORTANT: Allow gap between back box flange to stud faces for drywall to be attached later (See **Figure 3**).

2. Attach Artwall back box to wall structure using hardware compliant to the local building codes.

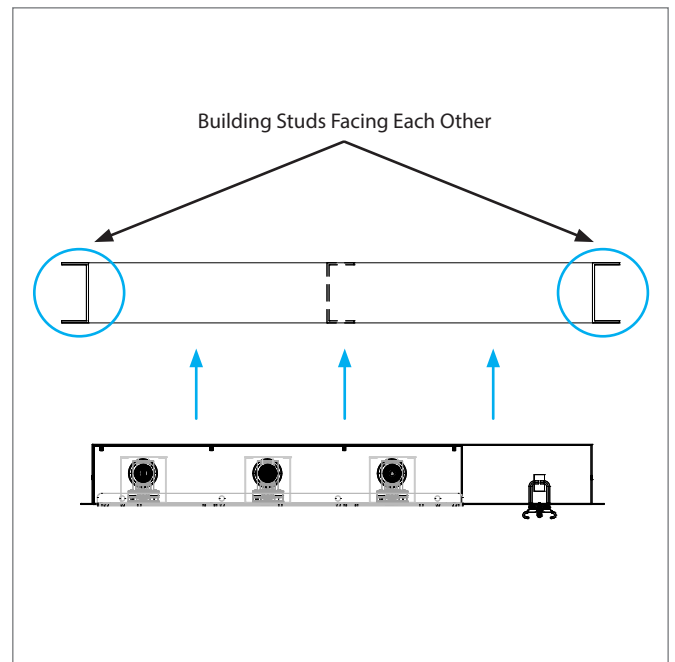
i NOTE: Make sure to use appropriate screw to attach the back box onto the wall structure as screws are exposed to the end users.

Figure 1



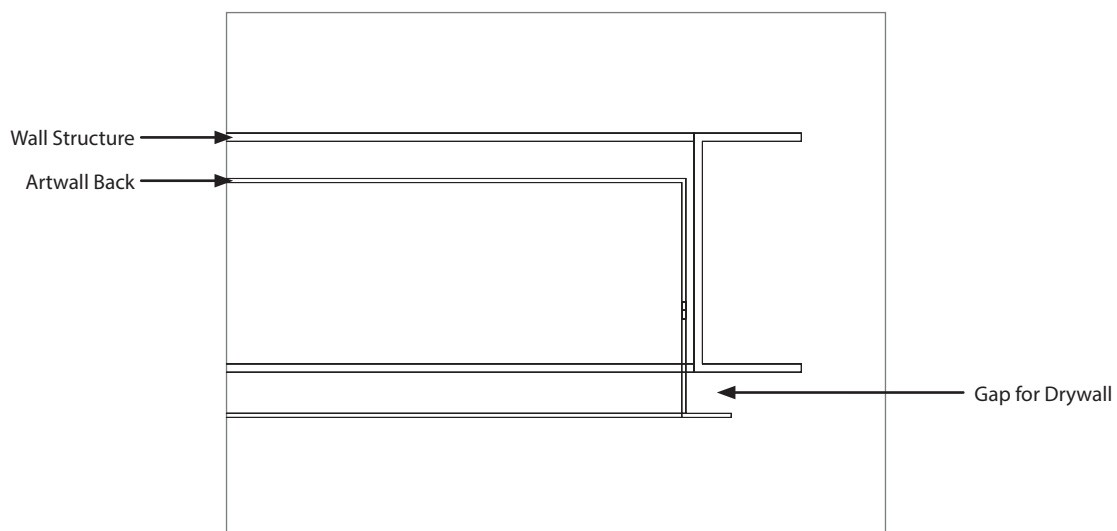
Artwall Back Box Installation on Building Studs

Figure 2



Top View

Figure 3

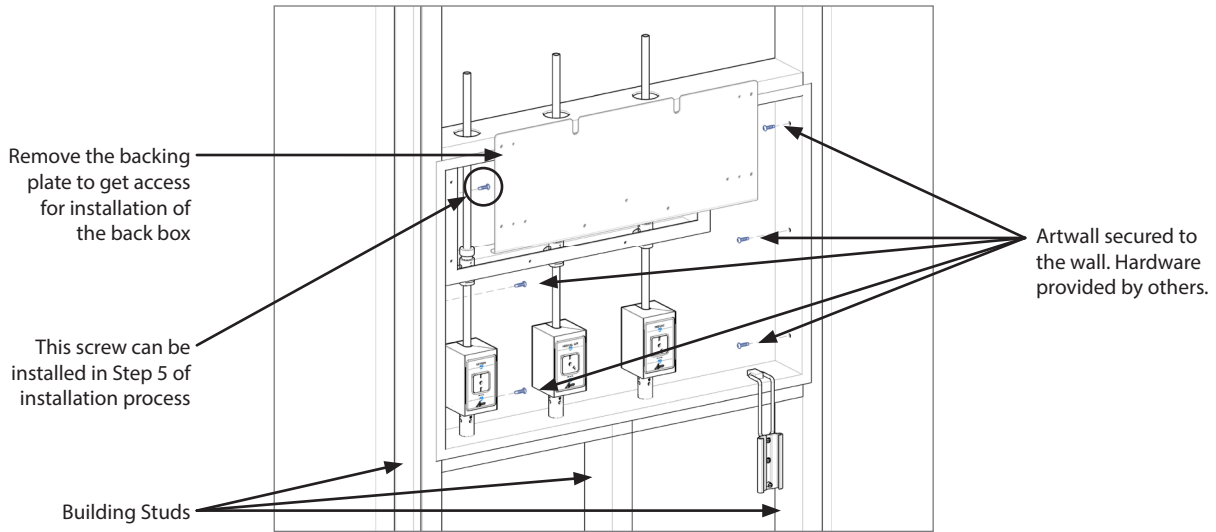


Artwall Setup In Place

Installation

3. Finish building stud framing by providing a horizontal stud on top of the Artwall.

Figure 4

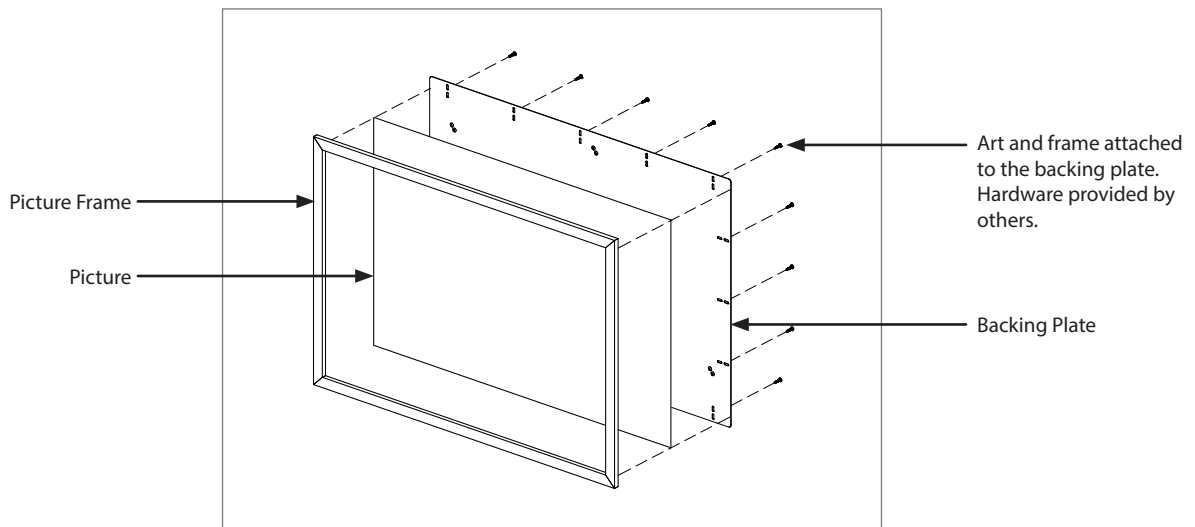


4. Make all medical gas connections and (if applicable) electrical wiring from artwall to rough-ins. Medical gas pipes and electrical wiring are terminated as per shop drawings.
5. Remove the frame and movement assembly from the back box.
6. Insert art into frame (if applicable) then attach frame to backing plate and movement assembly using hardware provided by others (**Figure 5**).

(i) NOTE: Ensure frame is centered on backing plate. Place assembly in a safe location.

(i) NOTE: The weight of the picture frame shall not exceed 15 lbs.

Figure 5



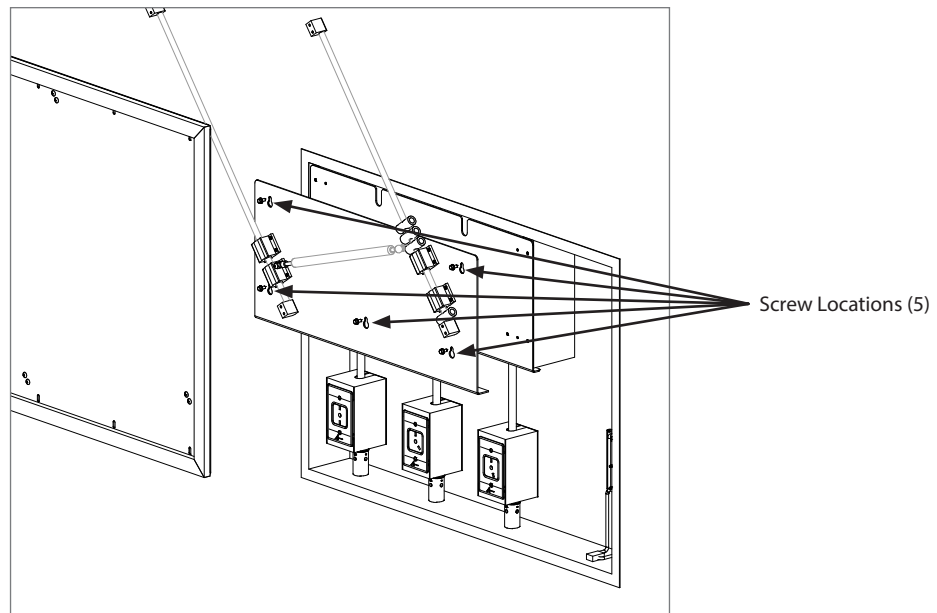
Installation

i NOTE: At this point, it is recommended for the wall to be finished before proceeding. This will minimize interference of unit with trades, and keep remaining parts clean.

7. Attach the frame and movement assembly that has been removed in **Step 5** to back box using the original hardware at locations shown. Move frame as necessary to reach all of the hardware..
8. Tighten whiz flange screws using a 5/16" wrench.

! IMPORTANT: The frame has been removed in **Figure 6** to show the parts behind it. Do not remove your frame from the movement assembly!

Figure 6



Notes

www.amico.com

Amico Corporation | 85 Fulton Way, Richmond Hill, ON L4B 2N4, Canada
600 Prime Place, Hauppauge, NY 11788, USA
Toll Free Tel: 1.877.462.6426 | Tel: 905.764.0800 | Fax: 905.764.0862
Email: info@amico.com | www.amico.com

