

Installation Manual
Sapphire Series
Horizontal Console



Before Installation

Console installation should conform to local building codes.

The installation instructions provided are for the Amico standard products. Slight modifications to the installations may be required. The product shipped to the job site may not be exactly as shown on the installation drawings.

CAUTION

Please do not lift console by the plastic end caps.

1. Review a copy of the final approved shop drawing(s) and/or submittal package. These documents will provide you with technical information specific to your installation, such as:
 - equipment types & quantities
 - room numbers and location
 - shop drawings of each unit type
 - wiring diagrams and rough-in locations
2. Locate the console unit from the shipping boxes that you wish to install. The contents of each shipping box are listed on the shipping document(s).

Installation

1. Using shop drawings, mark both devices center line AFF (above finished floor) on wall.



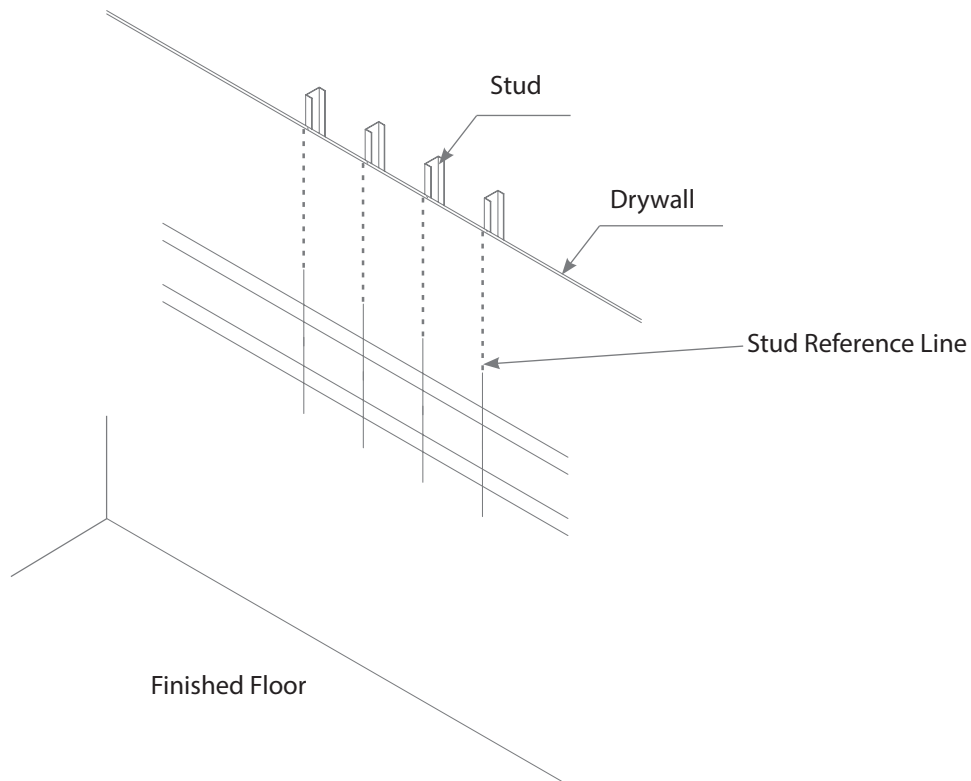
**Unit shown for reference only*

2. Mark horizontal line for bottom of mounting bracket (to be installed later). This line is to be offset 4" (102 mm) above the device's center line.

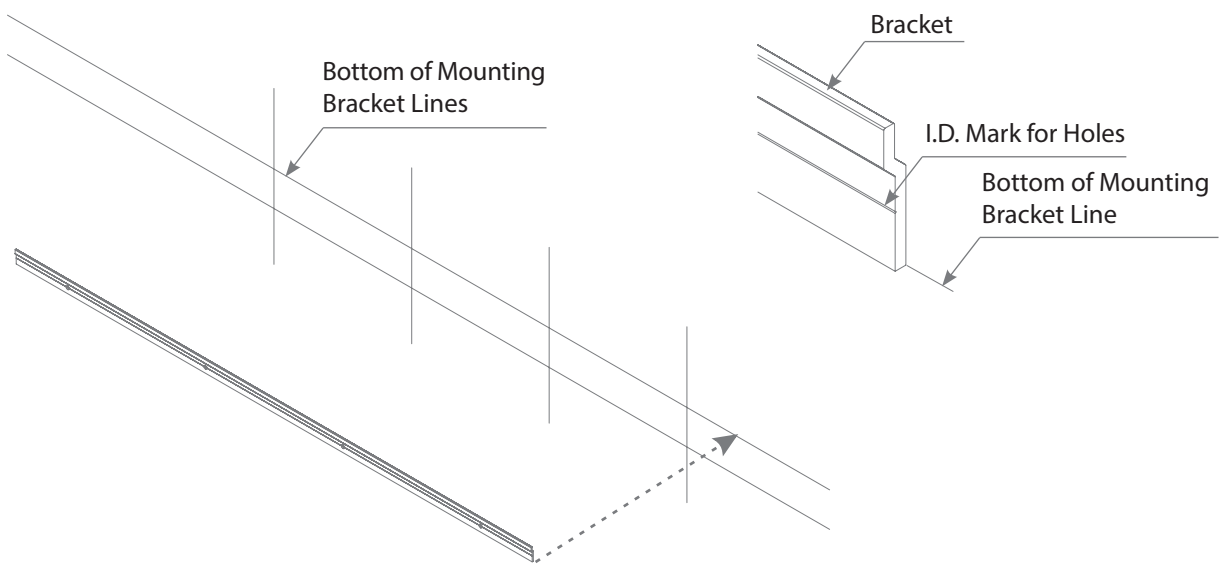


Installation

- Using a stud locator, mark the location of any metal studs or blocking in the building wall that intersect the console mounting location.

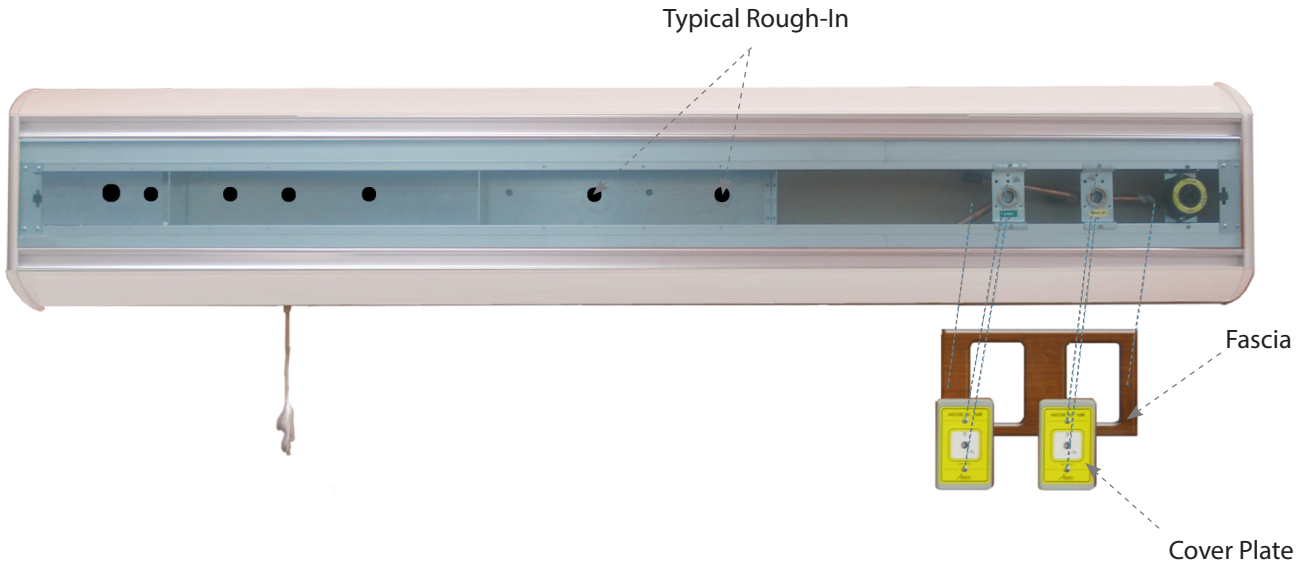


- Mount the bracket(s) on the wall using hardware compliant to local building codes (supplied by others). Align bracket horizontally according to the console mounting location. Refer to drawings. Bracket includes I.D. marks for locating holes vertically, which are to be drilled on-site according to location of studs. Remember to align bottom of bracket to "bottom of bracket" line marked in step 2.

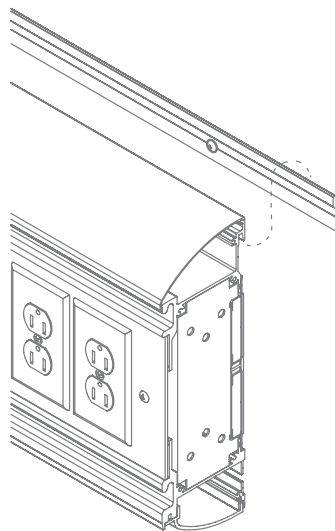


Installation

5. Check rough-in drawing(s) for electrical and medical gas rough-in locations. Remove any cover plates and devices, then remove fascia panel(s) for access to rough-in locations.



6. Hang the console unit on the wall, over the mounting bracket, and center the unit with reference to bed center line. Verify rough-in locations in wall and align with rough-in provisions on console.

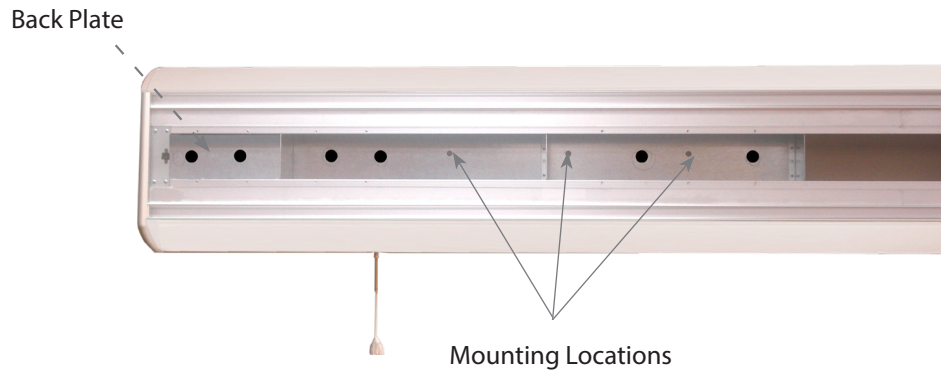


NOTE: End plate and cover removed in graphic for clarity. Do not remove!

7. Make all necessary electrical and medical gas connections as well as light connections, if required, in rough-in locations.

Installation

- Secure console to the wall through back plate using hardware compliant to local building codes (provided by others).



- Install facia panel(s) back onto console, then install all devices and cover plates.



Notes

www.amico.com

Amico Corporation | 85 Fulton Way, Richmond Hill, ON L4B 2N4, Canada
600 Prime Place, Hauppauge, NY 11788, USA
Toll Free Tel: 1.877.462.6426 | Tel: 905.764.0800 | Fax: 905.764.0862
Email: info@amico.com | www.amico.com

