

Instructions for Use / Installation Instructions
Sapphire Series
2 Tier Horizontal Console



Before Installation

NOTE: Unit installation should conform to local building codes

The installation instructions provided are for Amico standard products. Slight modifications to the installations may be required. The product shipped to the job site may not be exactly as shown in the installation drawings used in this manual.



CAUTION:

Please do not lift unit by the plastic end caps.

1. Review a copy of the final approved shop drawing(s). These documents will provide you with technical information specific to your installation, such as:
 - Equipment types and quantities
 - Room numbers and location
 - Shop drawings of each unit type
 - Wiring diagrams and rough-in locations
2. Locate the unit inside the crate that you wish to install. The contents of each crate are listed on the shipping document(s) and crate label.

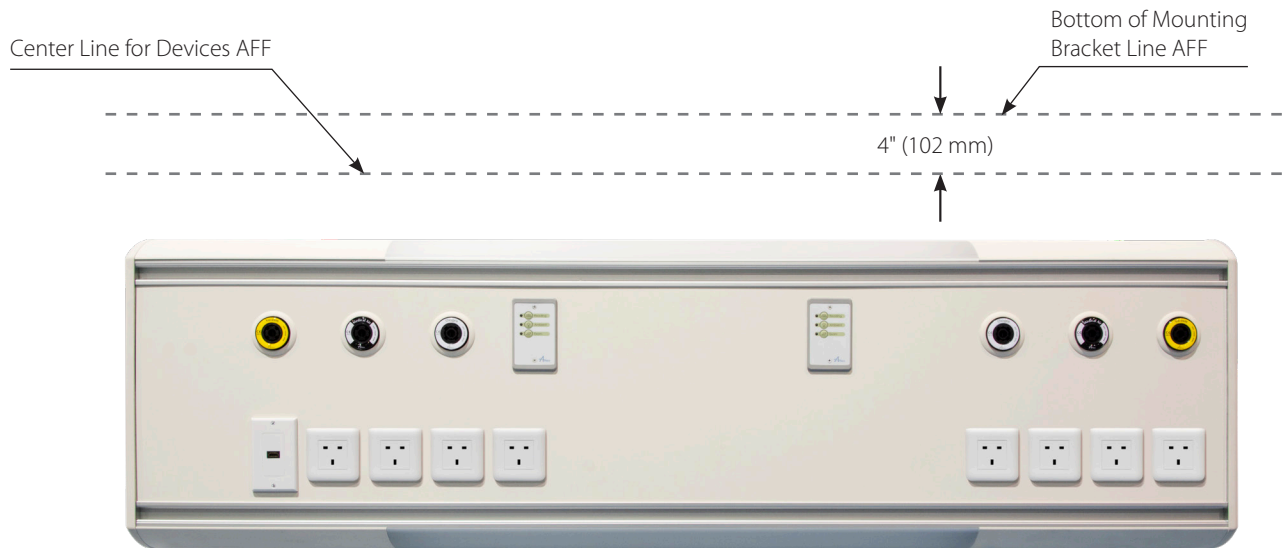
Installation

1. Using shop drawings, mark the center line for devices AFF (above finished floor) on wall.



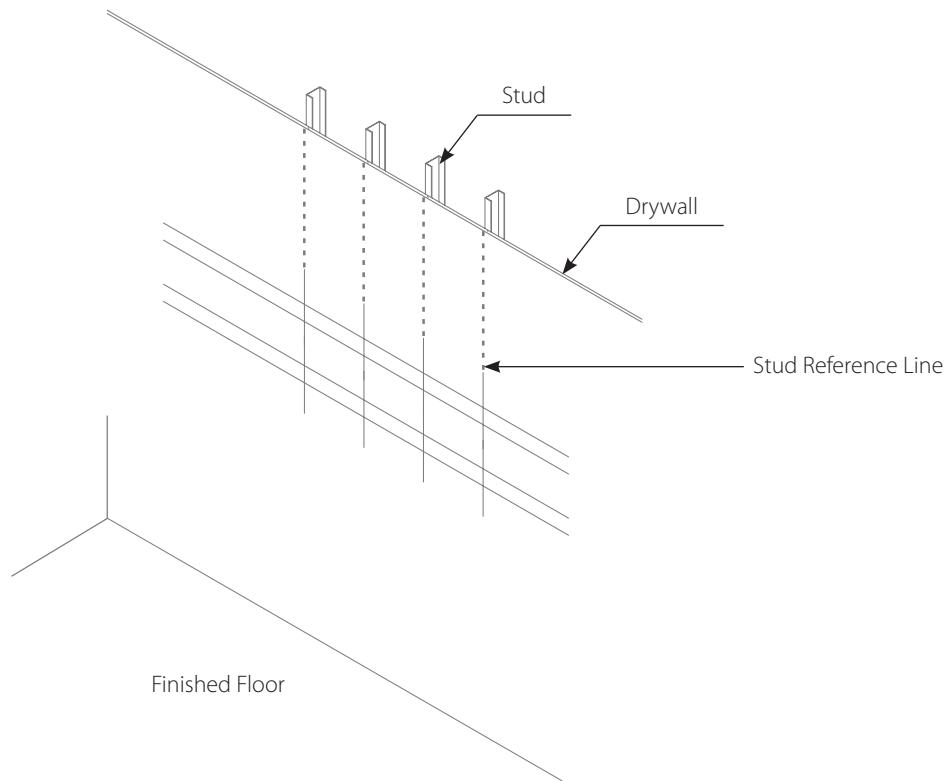
NOTE: Unit shown for reference only

2. Mark horizontal line for bottom of mounting bracket (to be installed later). This line is to be offset 4" (102 mm) above the center line for devices.

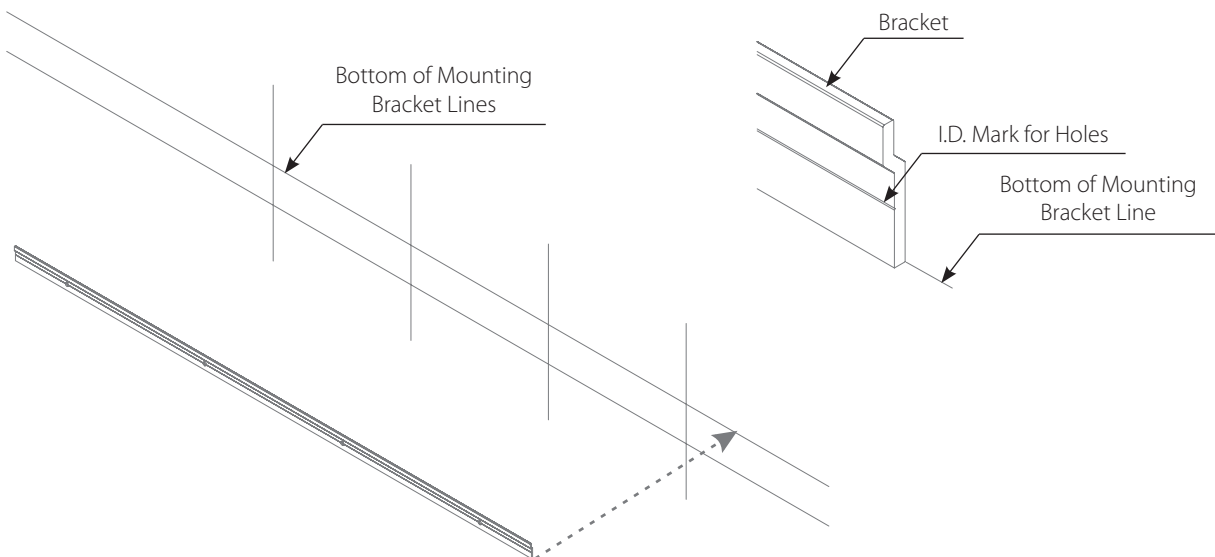


Installation

- Using a stud locator, mark the location of any metal studs or blocking in the building wall that intersect the unit's mounting location.

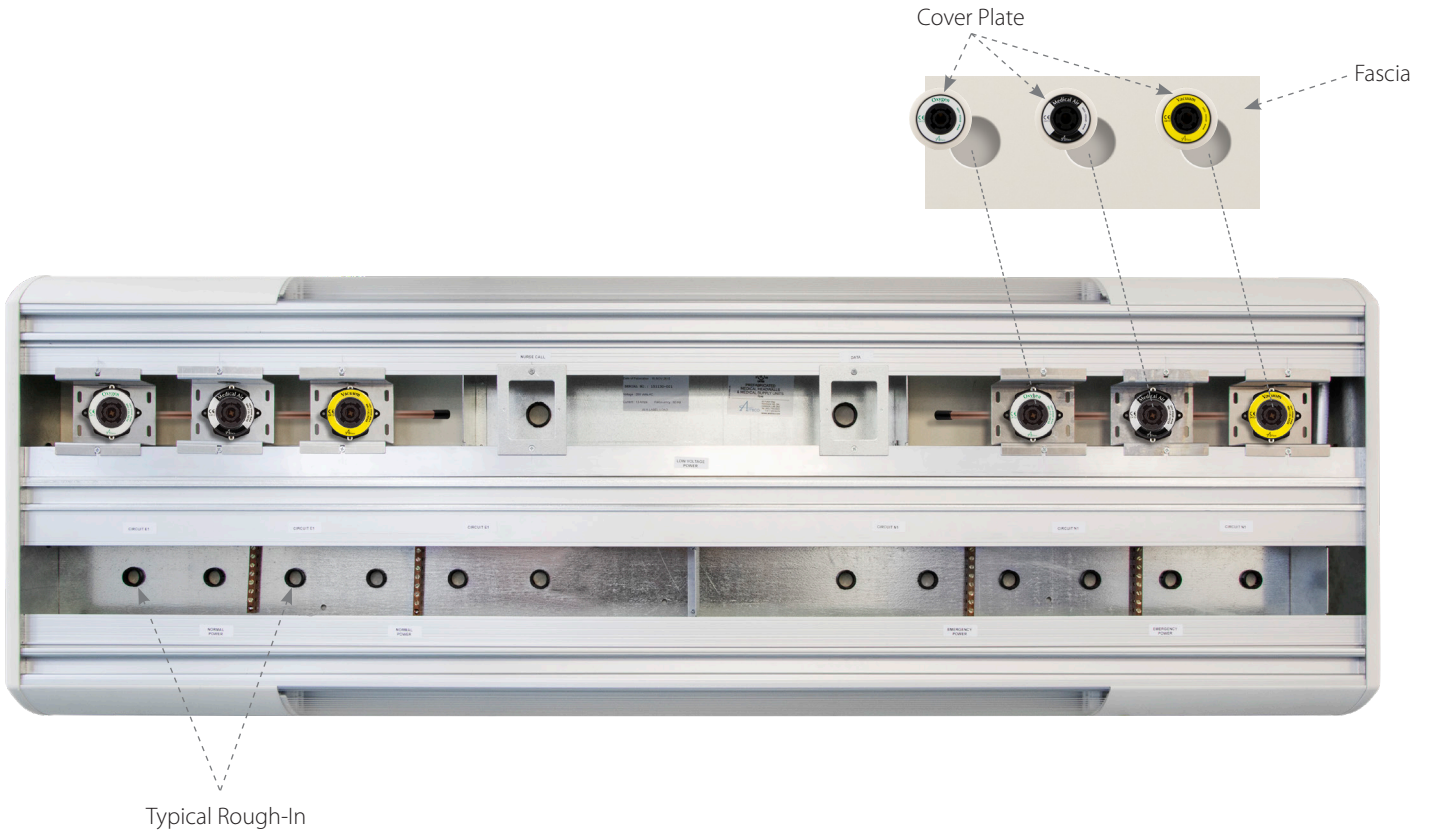


- Mount the bracket on the wall using M5.5 Tek screws (hardware by others). Align bracket horizontally according to the unit mounting location. Refer to drawings. Bracket includes I.D. marks for locating holes vertically, which are to be drilled on-site according to location of studs. Remember to align bottom of bracket to "bottom of bracket" line marked in **step 2**.

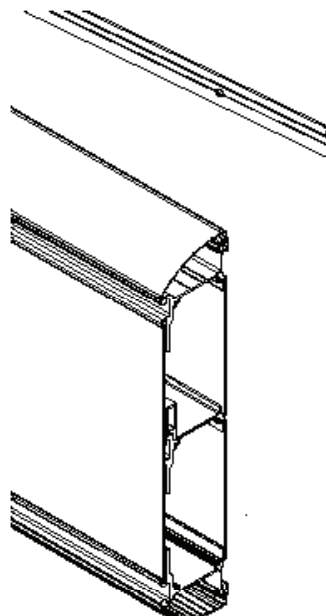


Installation

5. Check rough-in drawing(s) for electrical and medgas rough-in locations. Remove any cover plates and devices, then remove fascia panel(s) for access to rough-in locations.



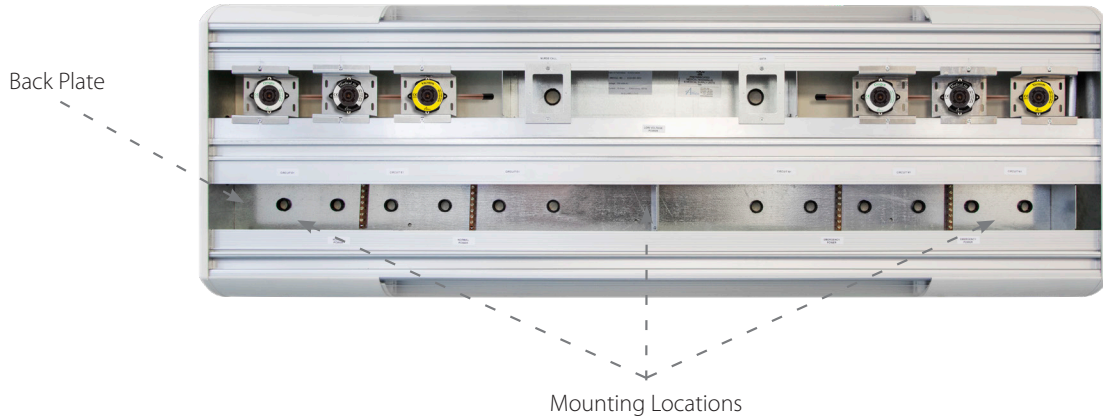
6. Hang the bed head unit on the wall, over the mounting bracket, and center the unit with reference to bed center line. Verify rough-in locations in wall and align with rough-in provisions on console.



NOTE: End plate and cover removed in graphic for clarity. Do not remove!

Installation

7. Make all necessary electrical and medical gas connections per local building codes at rough-in locations.
8. Secure unit to the wall through back plate using two or three M5.5 tek screws (hardware by others). Install facia panel(s) when done.



9. Install all devices and cover plates.



Notes

www.amico.com

Amico Corporation | 85 Fulton Way, Richmond Hill, ON L4B 2N4, Canada
600 Prime Place, Hauppauge, NY 11788, USA
Toll Free Tel: 1.877.462.6426 | Tel: 905.764.0800 | Fax: 905.764.0862
Email: info@amico.com | www.amico.com

