

Installation Instructions

Serenity Series Panel Wall



Recessed



User Responsibility

The installation instructions provided are for the Amico standard products. Slight modifications to the installations may be required. The product shipped to the job site may not be exactly as shown on the installation drawings. See additional sheets for project specifics where required.

IMPORTANT: PLEASE READ CAREFULLY PRIOR TO START

All on-site preparations must be done prior to the delivery of the panel wall units. Please contact Amico to confirm and review all information listed below. Failing to do so may result in discrepancies/misalignments during installation.

i **NOTE:** Review and understand all instructions before commencing work.

i **NOTE:** Panel Wall installation should conform to the local building codes.

PLEASE NOTE THESE KEYWORDS AND SYMBOLS:

! **WARNING:** Steps where extra care should be taken to prevent injuries and damage.

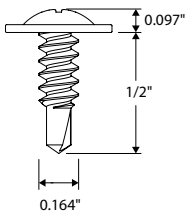
i **NOTE:** Steps that point out helpful information.

! **IMPORTANT:** Be sure to observe this instruction.

Hardware Provided by Amico

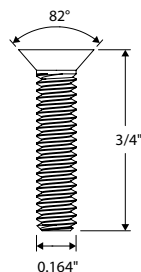
i **NOTE:** Locate the shipped loose parts in the nurse call box on recessed mount sections.

Hardware 1



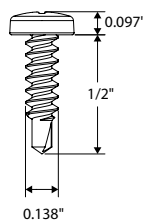
#8, 1/2" Long,
Round Washer Head
Drilling Screw
Use to Secure
Alignment Brackets

Hardware 2



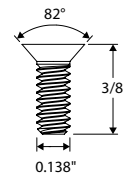
#8, 3/4" Long,
Flat Head Phillips
Machine Screw
Use to Secure
Metal Parts to Aluminum

Hardware 3



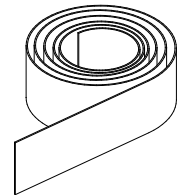
#6, 1/2" Long,
Pan Head
Drilling screw
Use to Secure
Aluminum to Aluminum

Hardware 4



#6, 3/8" Long,
Flat Head Phillips
Machine Screw
Use to Secure
Top and Bottom Plates

Hardware 5



(If applicable)
Rolls of pre-cut
insert strips
for vertical rails.

Preparation Before Installation

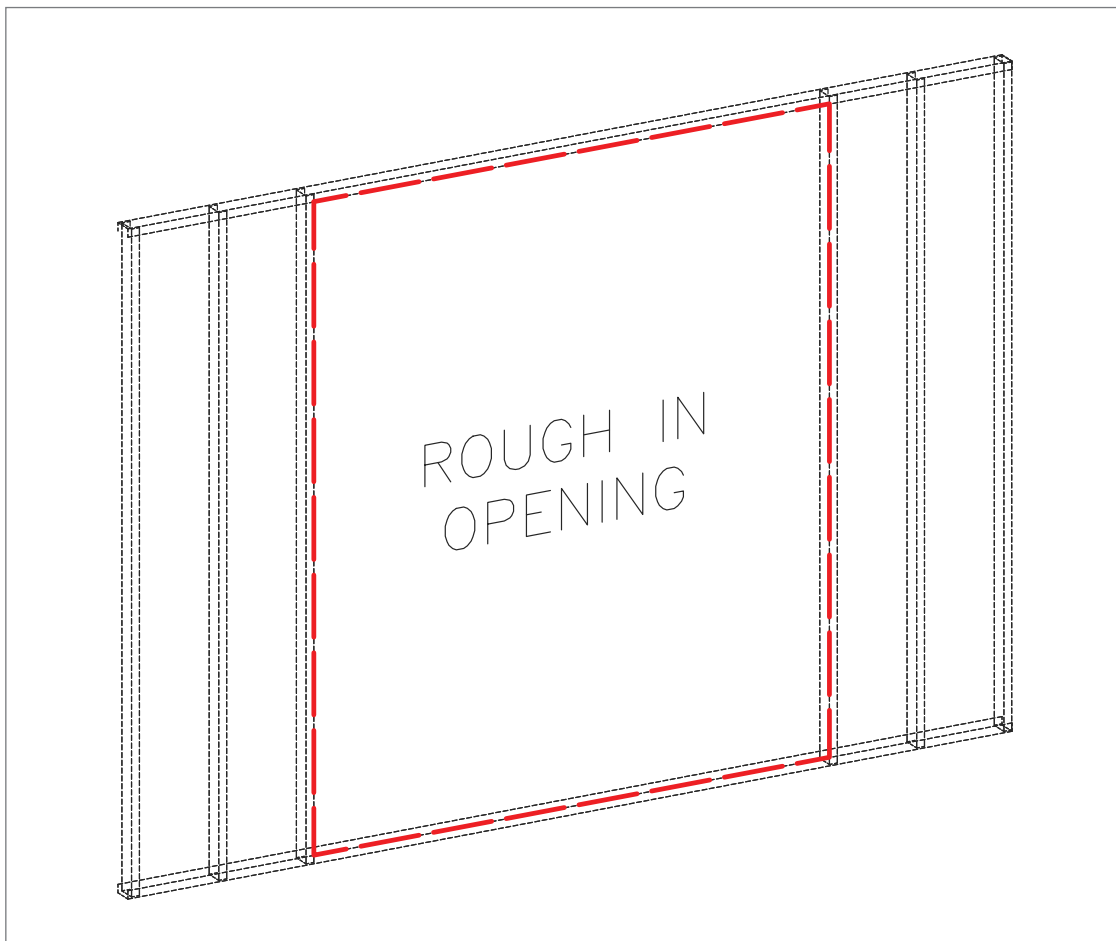
1. Review a copy of the final approved shop drawing(s) and/or submittal package. These documents will provide you with technical information specific to your installation, such as:

- Unit types and quantities
- Room numbers and locations
- Shop drawings of each unit type
- Wiring diagrams and rough-in locations

i **NOTE:** Ceiling grid must be installed **AFTER** the middle section is installed and the rails are attached to the units.

! **IMPORTANT:** Refer to the dimensions indicated on the shop drawings to ensure the rough in opening has correct height and width to accommodate Panel Wall Unit.

! **IMPORTANT:** Ensure the building top track is deeper than the building bottom track, to provide adequate space to lift and drop the Amico headwall.

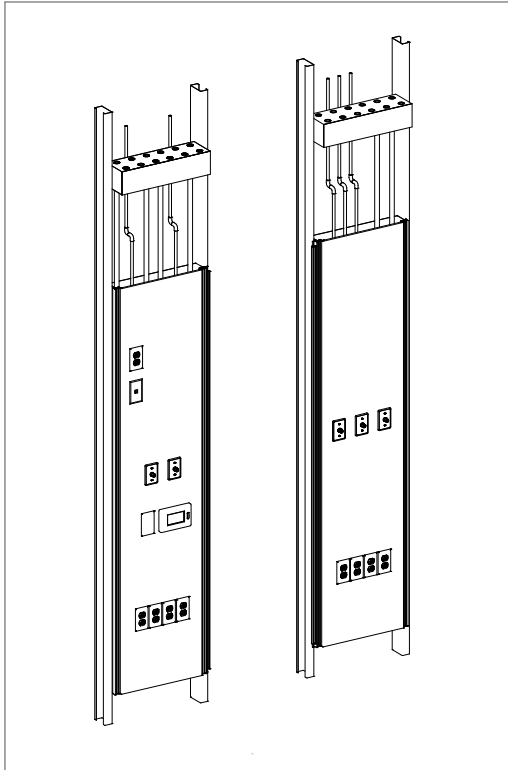


Building Structure on Site (by others)

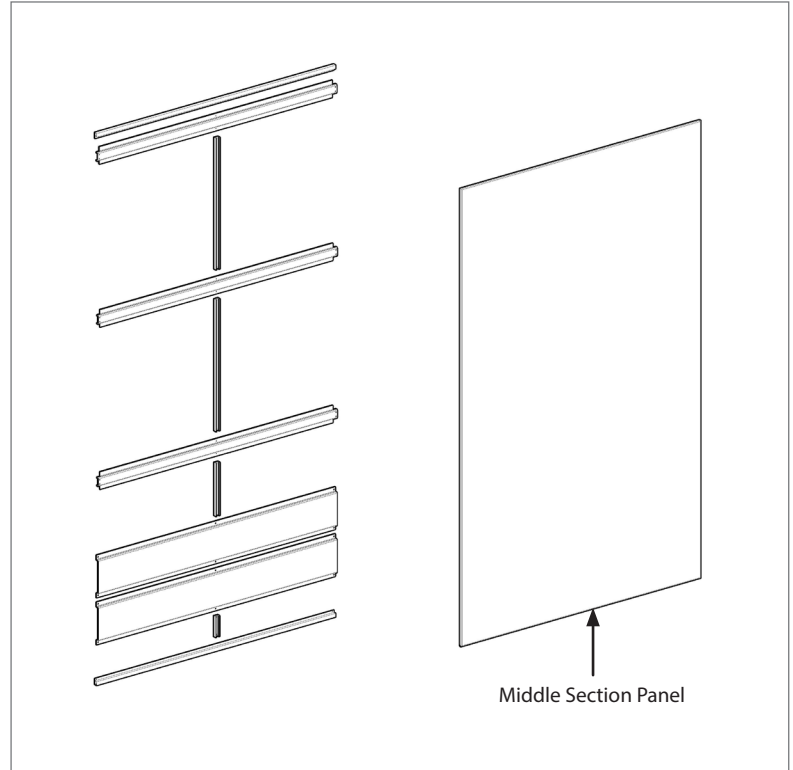
Preparation Before Installation

2. Locate the panel wall units from the shipping boxes that you wish to install. The contents of each shipping box are listed on the shipping document(s). Product is shipped in multiple sections. Please see pictures below for reference:

- Recessed Mount Section - installed to the wall structure.



Recessed Mount Section



Drywall Mount Section

(Install this section after the drywall is installed)

- Drywall Mount Section - installed on the finished wall, after walls are installed and painted.

i **NOTE:** All sections and panels are labeled with the room number and orientation for ease of installation. Ensure to utilize the correct one for each room as they are not interchangeable.

! **IMPORTANT:** Packaging/support material should be removed carefully when unpacking.

! **IMPORTANT:** Parts for middle section, top and bottom trims are packed separate, please do not discard.

Installation

A) Installing Recessed Mount Section (Left and Right Sections)

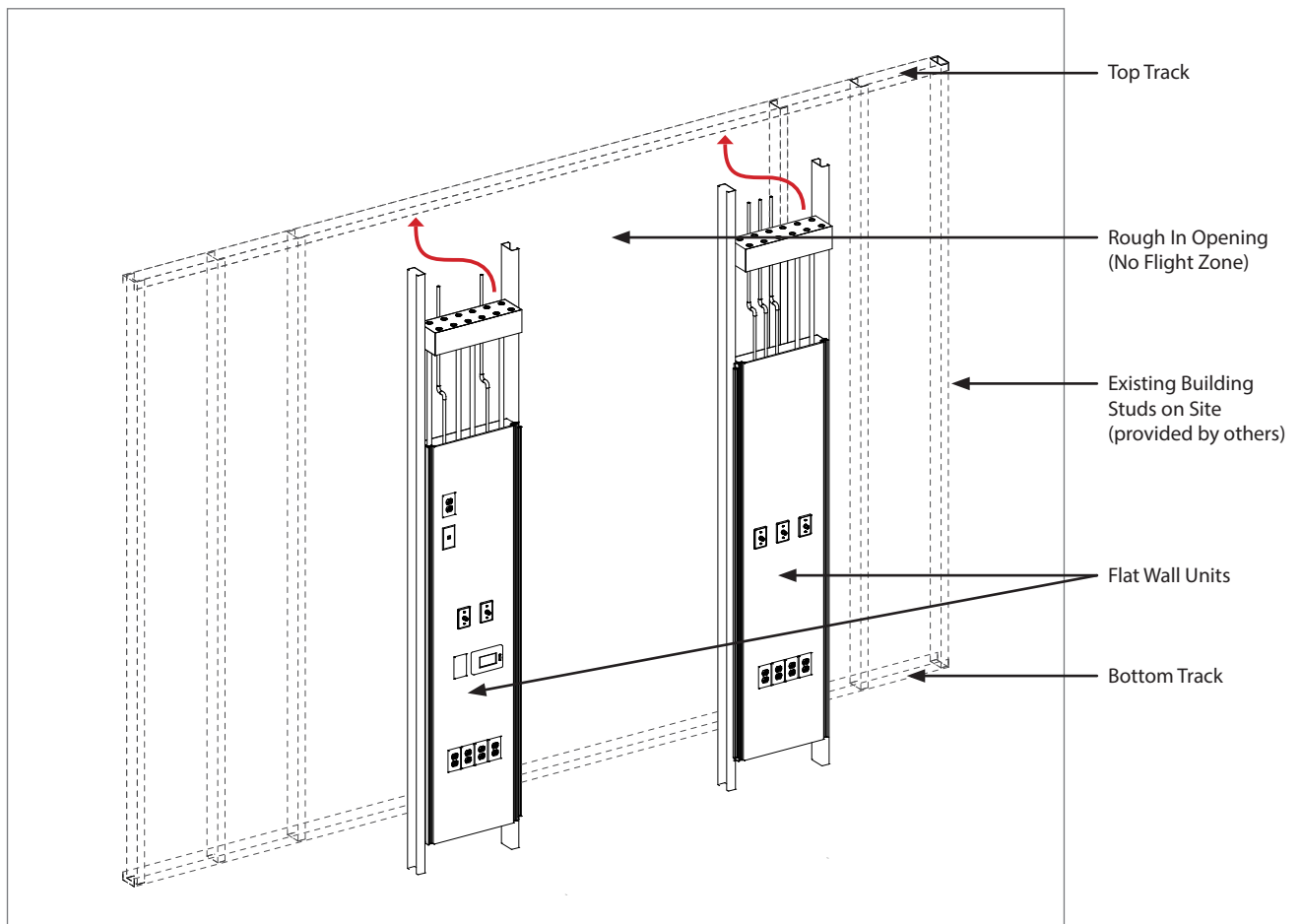
⚠ WARNING: During this installation, do not remove the protective film provided on the units.

ⓘ NOTE: Top and bottom alignments brackets are located on the side of Recessed Mount Sections. Ensure to remove them prior to installing the recessed mount sections.

1. Insert Recessed mount units into building tracks using lift and drop method (**Figure 1**).

ⓘ NOTE: Ensure all Recessed Mount Units are plumb and level using a laser line. Detect the higher unit and level all other units to this point using shims provided by others.

Figure 1



Flat Wall Unit Installation

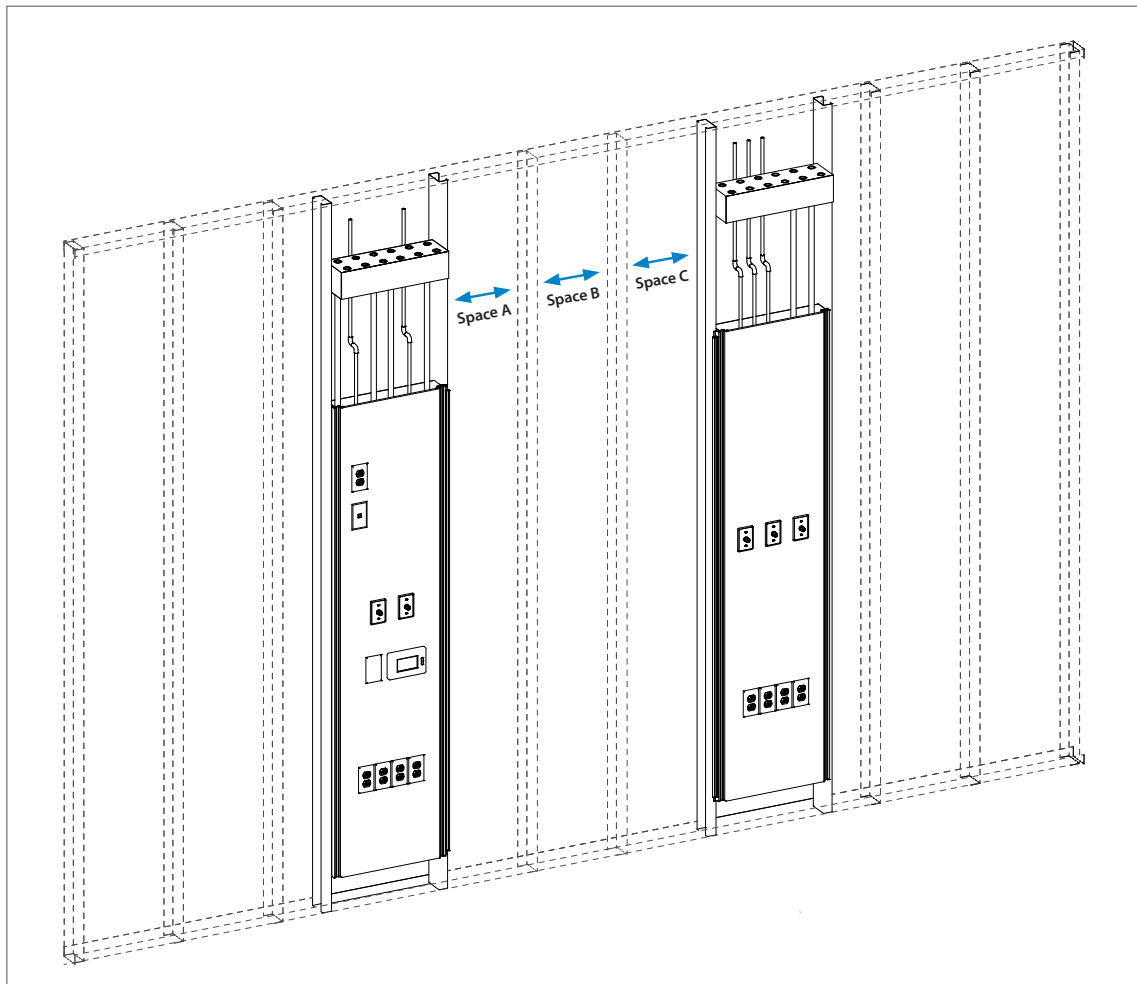
Installation

2. Mark the bed center line and confirm the dimensions with the final as built drawings.
3. Install the building studs (provided by others) in between the left and right units (**Figure 2**).

(i) NOTE: Check building stud spacing confirmed by Amico.

(i) NOTE: Hardware (provided by others) and method should compliant to the local building codes.

Figure 2

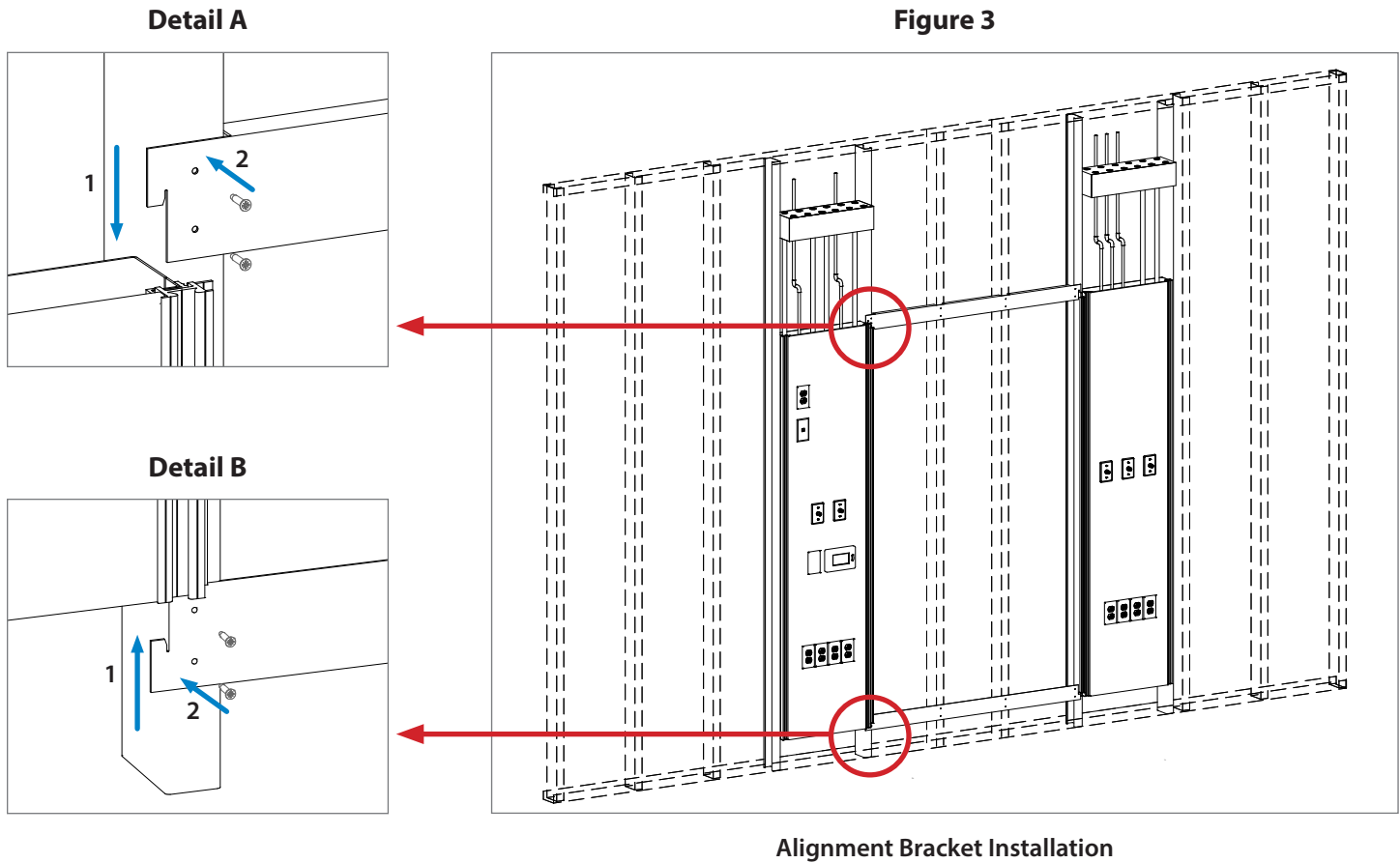


Building Studs Installation

Installation

- Slide the top and bottom alignment bracket (provided by Amico) into unit studs and lock them in place using hardware provided by Amico (**Figure 3, Hardware 1**).

(i) NOTE: The alignment brackets are labeled/color coded for easy identification during installation.



Alignment Bracket Installation

- Secure the units to building structure using hardware provided by others.

(i) NOTE: Hardware and method should be compliant to the local building codes.

- Make all gas pipe connections to the main source.

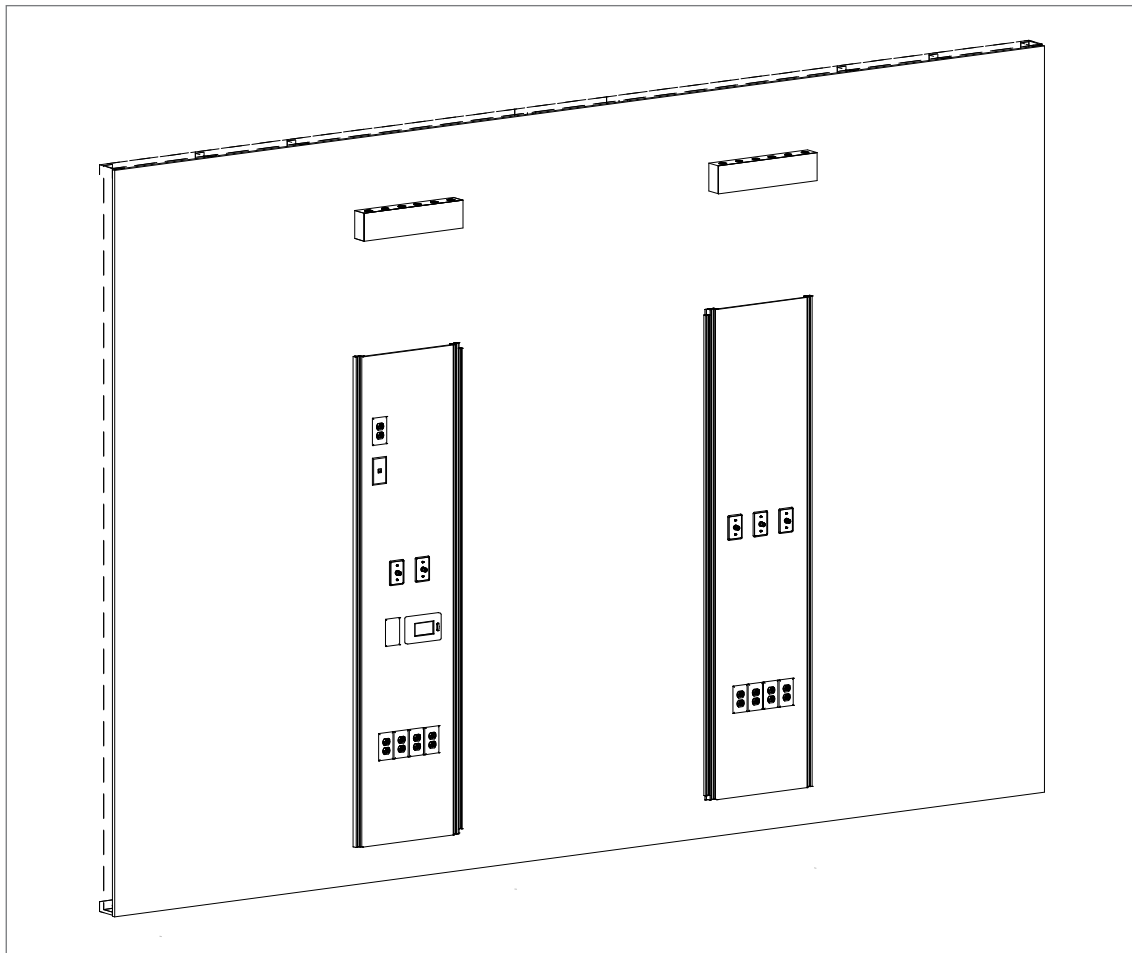
(i) NOTE: Medical gas pipes are terminated as per shop drawings.

Installation

B) Installing Drywall

1. Cut and install the drywall according to local building codes. Avoid applying drywall compound (mud) around the aluminum support rails. (Hardware provided by others)
2. Tape and paint as needed.

Figure 4



3. Make all electrical connections to the main source.

⚠ WARNING: Make the necessary high-voltage and low-voltage electrical connections by a licensed electrician.

ℹ NOTE: Electricals are terminated as per shop drawing.

Installation

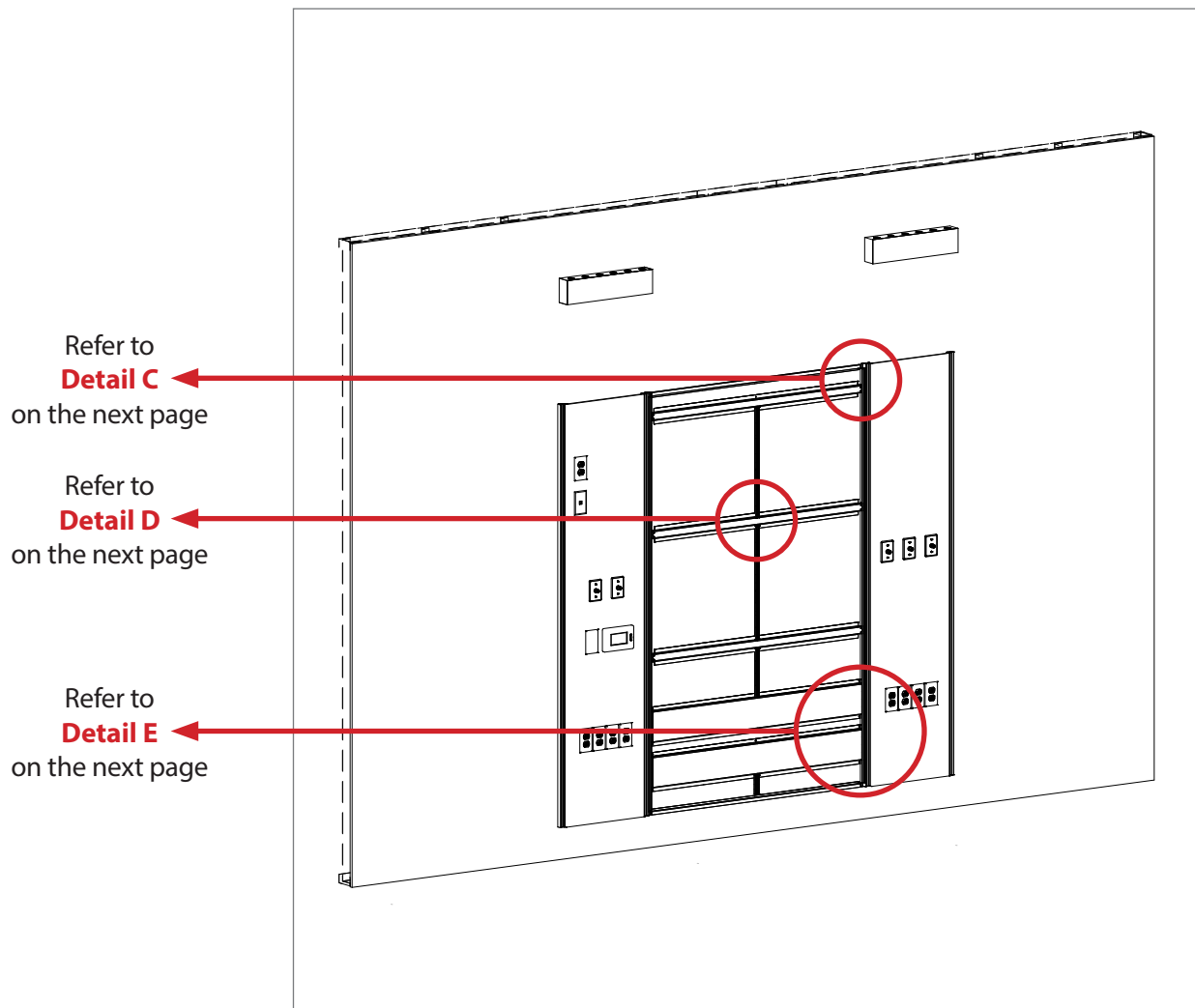
C) Installing the Middle Section (Drywall Mount Section)

(i) NOTE: The center section consists of several horizontal and vertical brackets; these are color-coded for easy identification during installation.

1. Secure all horizontal brackets into place using existing holes and provided hardware through the provided holes (**Figure 5, Details C and E, Hardware 2 and 3**).
2. Secure all vertical bracket into place, using existing holes and provided hardware (**Detail D, Hardware 3**).
3. Shim and secure the center of each horizontal bracket so that it is just touching the wall (Hardware and Shim provided by others).

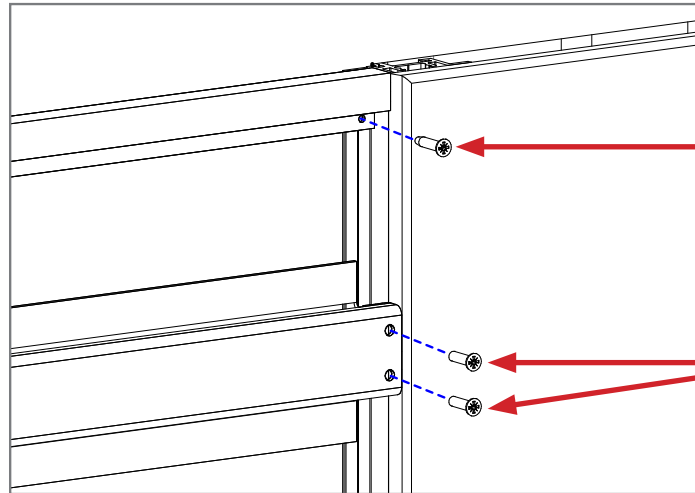
(i) NOTE: Hardware and method should compliant to the local building codes.

Figure 5



Installation

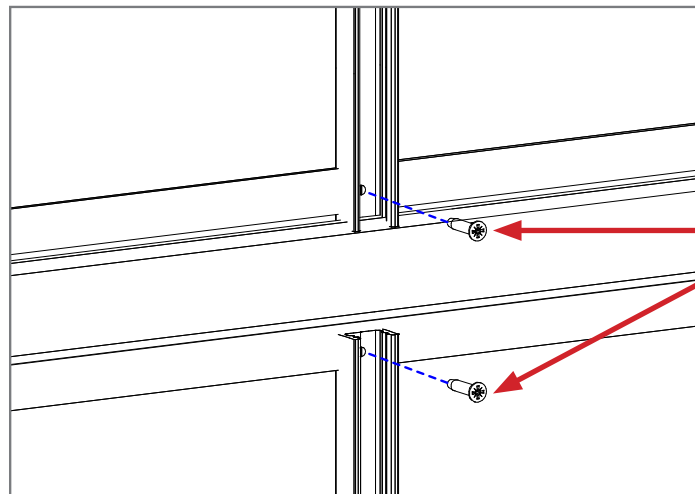
Detail C



Refer to **Hardware 3** on the page 2

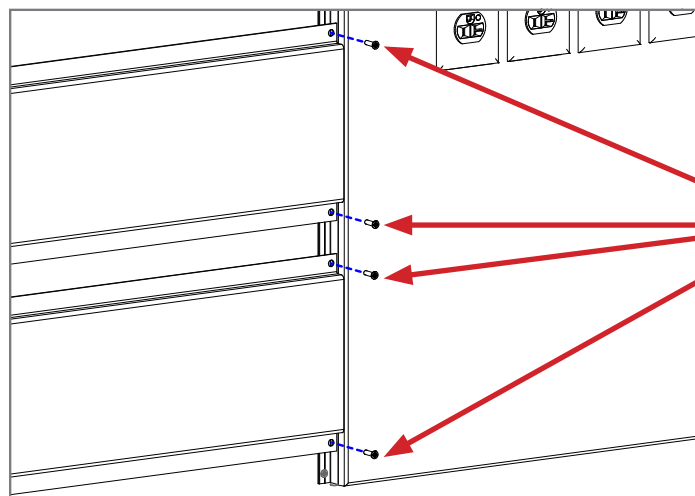
Refer to **Hardware 2** on the page 2

Detail D



Refer to **Hardware 3** on the page 2

Detail E




Refer to **Hardware 2** on the page 2

Installation


D) Installing the Panels, Rails, and Laminate Strips

1. If applicable, remove the inner accessory rails by removing the screws.

2. Install the panels.

 **NOTE:** The total number of spring clips to be engaged will be dependent on the size of the panel and the locations of the rails).

3. Reinstall the inner accessory rail.

 **IMPORTANT:** Do not flip or exchange the vertical rails.

 **IMPORTANT:** Must use screws provided to reinstall the vertical rails.

4. Slide the insert strip into all rails. Locate the strips in Nurse call box (**Hardware 5**).

5. Install the top and bottom end plate using hardware provided by Amico. (**Hardware 4**).

6. Install the ceiling grid.

Panel Handling and Storage

WARNING:

- Stack panels face to face to prevent damage.
- Keep panels as flat as possible when handling or storing.
- Do not drag panels on other panels in order to prevent scratch or scuff.
- Panels must be stored in controlled environment.

www.amico.com

Amico Corporation | 85 Fulton Way, Richmond Hill, ON L4B 2N4, Canada
600 Prime Place, Hauppauge, NY 11788, USA
Toll Free Tel: 1.877.462.6426 | Tel: 905.764.0800 | Fax: 905.764.0862
Email: info@amico.com | www.amico.com

