

# Hose Barb Outlets



## Features:

- Compensates for installation depth variations
- 360 degree swivel inlet connection
- Gas specific indexing
- 100% tested for flow, leaks and connector retention
- Gas specific rough-in accepts either: Puritan-Bennett, Ohmeda, Chemetron, DISS and Oxequip/Medstar.

## General Specifications:

- The Medical Gas Ambulance outlet shall be an Amico Alert-1 series.
- Medical Gas Ambulance outlets shall be gas specific and permanently labeled for the services indicated.
- All outlets meet applicable requirements of "Federal Specification for Ambulances" KKK-A-1822C. Amico ambulance outlets comply with NFPA-99.
- For positive pressure gas services, the outlet shall be equipped with a primary and secondary check valve and the secondary check valve shall be rated at a maximum of 200 psi [1,379 k pa] in the event the latch valve assembly is removed for maintenance. Outlet bodies shall be gas specific by indexing each gas service to a gas specific dual pin indexing arrangement on the respective identification module.
- The gas inlet tube of the outlet body shall be a hose barb fitting to permit connection of either 1/4" or 5/16" or 3/8" O.D. flexible hose with a crimp type ferrule.
- A large color coded front plate shall be used for ease of gas identification and aesthetic appeal.
- The latch-valve assembly shall be Ohmeda Diamond Quick Disconnect, Chemetron Quick Connect, Puritan-Bennett Quick Disconnect, DISS compatible or Oxequip/Medstar compatible and accept only corresponding type gas specific adapters.
- All outlets shall be cleaned and degreased for medical gas service, factory assembled and tested.
- The outlets are ETL Listed.
- Amico products comply with NFPA-99.

## Project

---

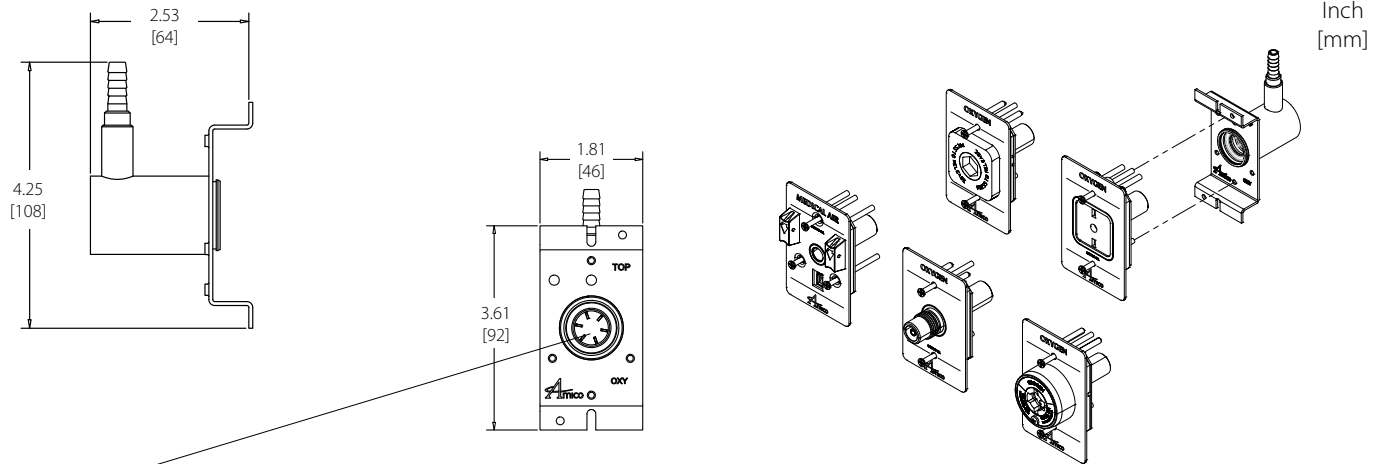


---



---

# Technical Specifications



**NOTES:** For CSA/ISO, suction inlets are not supplied with a secondary check valve. A pressure plug is provided for testing purposes, rated at 150 psi [1,034 kPa].  
 \*\* 1/4" hose barb shown.\*\*

## Model Numbers

### O-FASC-QD-L-XXX

#### Latch-Valve Assembly:

Ohmeda compatible	=	QD
Chemetron compatible	=	CH
Puritan-Bennett compatible	=	PB
DISS	=	DI
OXEQUIP/MEDSTAR compatible	=	OX

#### The "L" defines the Language:

English (NFPA) Oxy, Air, Vac and WAG only	=	U
English (CSA/ISO)	=	E
French (CSA/ISO)	=	F
Spanish (NFPA) Oxy, Air, Vac and WAG only	=	S

#### The "XXX" defines the Gas:

Oxygen	=	OXY
Medical Air	=	AIR
Nitrous Oxide	=	N2O
Nitrogen *	=	NIT
Carbon Dioxide **	=	CO2
MedVac <sup>1</sup>	=	VAC
Waste Anesthetic Gas Disposal (NFPA)	=	WAG
Anesthetic Gas Scavenging System <sup>1</sup> (CSA)	=	AGS
Instrument Air	=	INA

Rough-in Assembly

- O-BAKCONB-L-XXX (1/4" Hose Barb connection)
- O-BAKCONH-L-XXX (5/16" Hose Barb connection)
- O-BAKCONG-L-XXX (3/8" Hose Barb connection)

**NOTE:** Not all styles are available in all languages.

\* Available only in DISS

\*\* Not available for Puritan-Bennett

\*\*\* Available only in 1/4"

<sup>1</sup> Please see note above