

# Ceiling Outlet DISS

## Instrument Air



### Features:

- Flow rate exceeds the requirements of NFPA and CSA
- Accepts DISS gas specific adapters
- 100% pressure testing of each outlet and cleaned for medical gas service
- Indexed to eliminate interchangeability of gas services
- Up to 1" [25 mm] wall thickness adjustment
- 360° swivel inlet pipe for easy installation
- Outlets are also available for M.R.I. use

### General Specifications:

The medical gas outlet shall be an Amico Alert-1 series.

Outlets shall be manufactured with a 7-3/4" [197 mm] length type "K" 1/2" [12.7 mm] outside diameter (3/8" nominal) size copper inlet pipe stub, which is silver brazed to the outlet body. The body shall be of 1-5/16" [33 mm] diameter, one piece brass construction. For positive pressure gas services, the outlet shall be equipped with a primary and secondary check valve and the secondary check valve shall be rated at a maximum of 200 psi [1,379 kPa] in the event the primary check valve is removed for maintenance. Outlet bodies shall be gas specific by indexing each gas service to a gas specific dual pin indexing arrangement on the respective identification module.

A large, color coded front plate shall be used for easy of gas identification and aesthetic appeal.

With the back rough-in mounted the outlet shall adjust from 3/8" [10 mm] up to 1" [25 mm] variation in wall thickness.

The latch valve assembly shall be D.I.S.S. (Diameter Index Safety System) only.

All M.R.I. outlets are manufactured from nonferrous materials.

All outlets shall be cleaned and degreased for medical gas service, factory assembled and tested.

The outlets are UL Listed and ETL Listed.

Amico products comply with NFPA 99 and CSA Z7391.1.

### Project

---

---

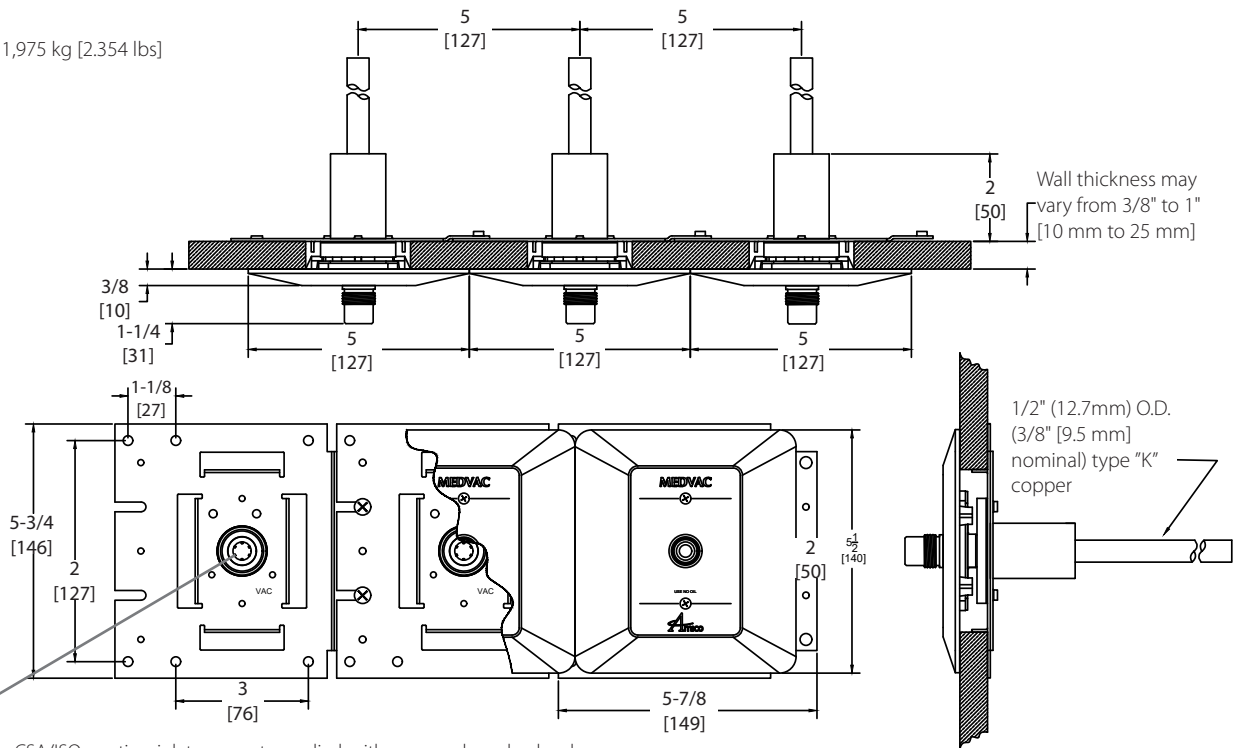
---

# Technical Specifications

**NOTE:** Amico recommends that you have a blank space between outlets and slides.  
Maximum 3 outlets may be ganged together without additional support.

Inch  
[mm]

Weight: 1,975 kg [2,354 lbs]



**NOTE:** For CSA/ISO, suction inlets are not supplied with a secondary check valve.  
A pressure plug is provided for testing purposes, rated at 150 psi [1,379 kPa].

## Model Numbers

### O-DISCEI-L-INA

**The Letter "L" Defines the Language:**

- English (NFPA) = U
- English (CSA/ISO) = E

Instrument Air = INA

**Example:** Instrument Air (NFPA) = O-DISCEI-U-INA

Distributed By:

