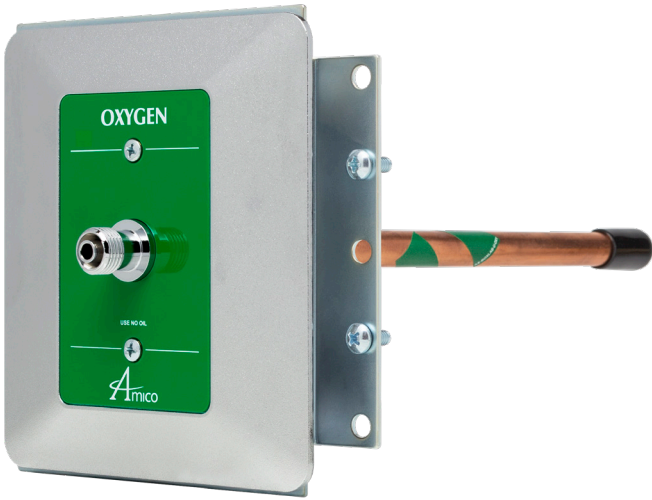


Ceiling Outlet DISS



Features:

- Flow rate exceeds the requirements of NFPA and CSA
- Accepts quick disconnect gas specific adapters, or DISS adapters dependin on which front assembly is ordered
- 100% pressure testing of each outlet and cleaned for medical gas service
- Indexed to eliminate interchangeability of gas services
- Up to 1" [25 mm] wall thickness adjustment
- 360° swivel inlet pipe for easy installation
- Universal rough-in assembly to accept Quick Disconnects or DISS front adapters (can be interchanged at any time)
- Outlets are also available for M.R.I. use

General Specifications:

The medical gas outlet shall be an Amico Alert-1 series.

Outlets shall be manufactured with a 7-3/4" [19 mm] length type "K" 1/2" [12.7 mm] outside diameter (3/8" nominal) size copper inlet pipe stub, which is silver brazed to the outlet body. The body shall be of 1-5/16" [33 mm] diameter, one piece brass construction. For positive pressure gas services, the outlet shall be equipped with a primary and secondary check valve and the secondary check valve shall be rated at a maximum of 200 psi (1,379 kPa) in the event the primary check valve is removed for maintenance. Outlet bodies shall be gas specific by indexing each gas service to a gas specific dual pin indexing arrangement on the respective identification module.

A large, color coded front plate shall be used for ease of gas identification and aesthetic appeal.

With the back rough-in mounted the outlet shall adjust from 3/8" [10 mm] up to 1" [25 mm] variation in wall thickness.

The latch valve assembly shall be Ohmeda Diamond™ Quick Disconnect, Chemetron Quick Disconnect, Puritan-Bennett Quick Disconnect, or D.I.S.S. (Diameter Index Safety System) depending on the type ordered.

All M.R.I. outlets are manufactured from nonferrous materials.

All outlets shall be cleaned and degreased for medical gas service, factory assembled and tested.

The outlets are UL Listed and ETL Listed.

Amico products comply with NFPA 99 and CSA Z7369.1.

Project

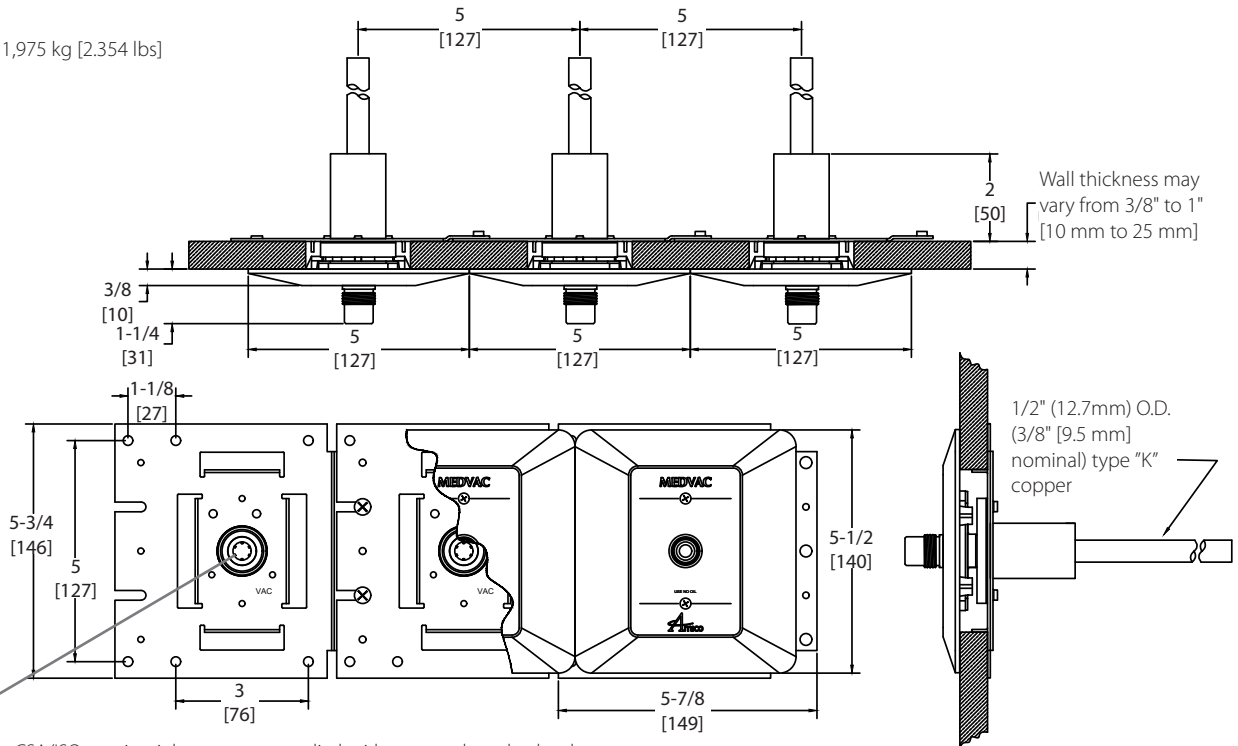


Technical Specifications

NOTE: Amico recommends that you have a blank space between outlets and slides.
Maximum 3 outlets may be ganged together without additional support.

Inch
[mm]

Weight: 1,975 kg [2,354 lbs]



NOTE: For CSA/ISO, suction inlets are not supplied with a secondary check valve.
A pressure plug is provided for testing purposes, rated at 150 psi [1,379 kPa].

Model Numbers

Example: English NFPA - Oxygen = **O-DISCEI-U-OXY**

NOTE: For ceiling applications, only DISS outlets are recommended

The Letter "L" Defines the Language:

English (NFPA) OXY, AIR, VAC and WAG only	= U
English (CSA/ISO)	= E
French (CSA/ISO)	= F
Spanish (NFPA)	= SU

O-DISCEI-L-XXX

O-DISCEIM-L-XXX

The Letter "XXX" Defines the Type of Gas:

Oxygen	= OXY
Medical Air	= AIR
Nitrous Oxide	= N2O
Carbon Dioxide**	= CO2
MedVac ¹	= VAC
Waste Anesthetic Gas Disposal (NFPA)	= WAG
Anesthetic Gas Scavenging System ¹	= AGS
Nitrogen*	= NIT

*=Available in DISS only

**=Not available for Puritan-Bennett

¹Please see not above

Example: English NFPA (M.R.I.) - Oxygen = **O-DISCEIM-U-OXY**

Distributed By:

