

## Passive Evacuation (AGSS)



### Features:

- Flow rate exceeds the requirements of CSA/ISO
- 100% pressure testing of each outlet and cleaned for medical gas service
- Indexed to eliminate interchangeability of gas services
- Up to 1" [25 mm] wall thickness adjustment
- Outlets are also available for M.R.I. use

### General Specifications:

The medical gas outlet shall be an Amico Alert-1 series.

The Passive Outlets shall be manufactured with a 7-1/4" [184 mm] length type "K" 7/8" [22 mm] outside diameter, 3/4" nominal size copper inlet pipe stub, which is silver brazed to the outlet body. Suction inlets are not supplied with a secondary check valve. A pressure plug is provided for testing purposes, rated at 150 psi [1,034 kPa]. Outlets bodies shall be gas-specific by indexing each gas service to a gas-specific dual pin indexing arrangement on the respective identification module.

A large, color coded front plate shall be used for ease of gas identification and aesthetic appeal.

A one piece chromed fascia plate shall frame the outlet. With the back rough-in mounted, the outlet shall adjust from 3/8" [10 mm] to 1" [25 mm] variation in wall thickness.

The outlet shall be of modular design and include a gas-specific 16 ga. [1.6 mm] steel mounting plate designed to permit on-site ganging of multiple outlets, in any order, on 5" [127 mm] spacing.

The Passive Front Latch-Valve Assembly is assembled with an aluminum adapter, which accommodates 19/33 mm hose.

All M.R.I. outlets are manufactured from nonferrous materials.

All outlets shall be cleaned and degreased for medical service, factory assembled and tested.

Amico products comply with CSA Z7369.1.

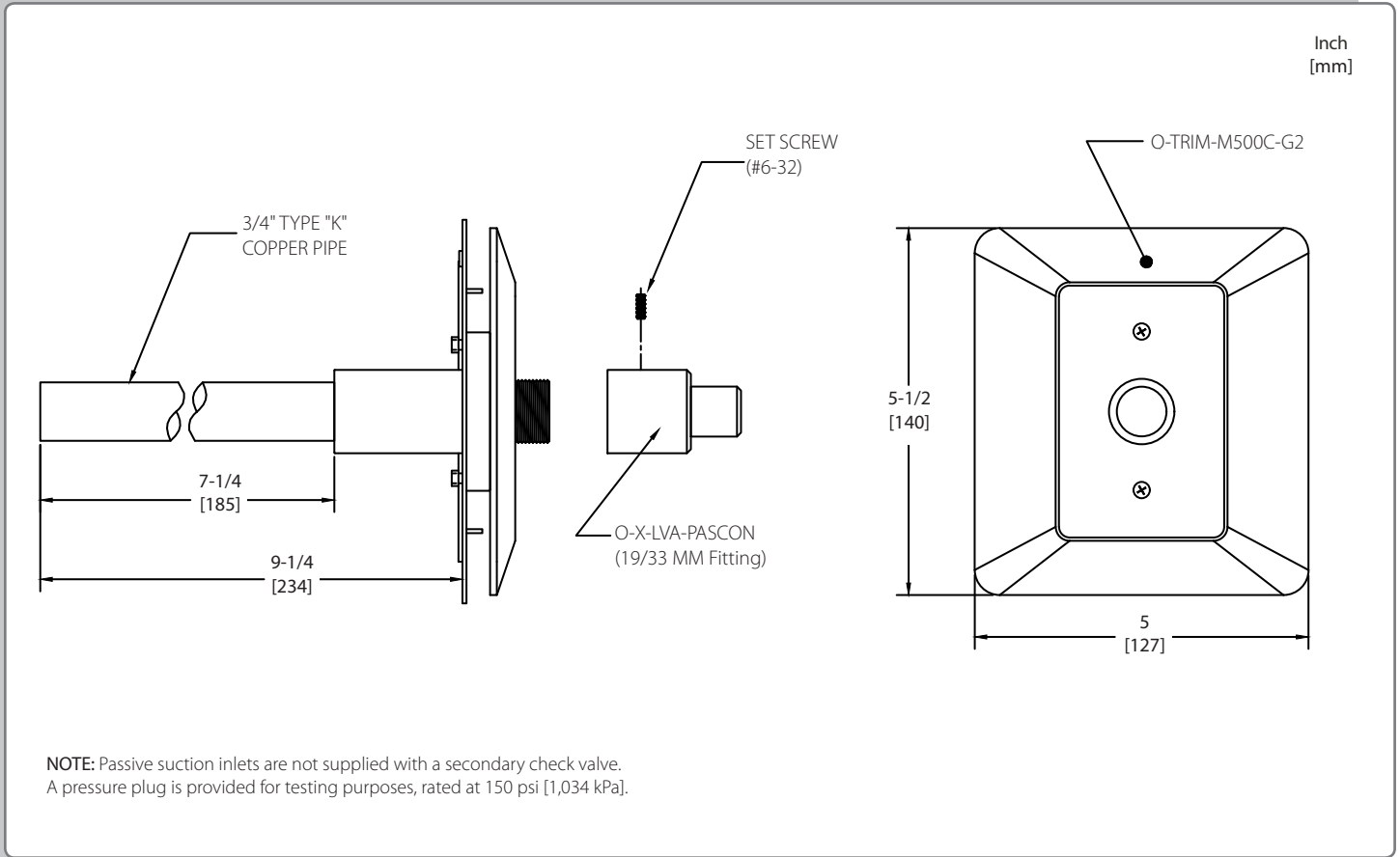
### Project

---

---

---

# Technical Specifications



## Model Numbers

### Labeling

WAGD (Waste Anesthetic Gas Disposal) - NFPA/US Standard  
AGSS (Anesthetic Gas Scavenging System) - CSA/ISO Standard

### Front Latch Assembly Only

O-FASC-PAS-U-WAG (O-FAMC-PAS-U-WAG for M.R.I.)  
O-FASC-PAS-E-AGS (O-FAMC-PAS-E-AGS for M.R.I.)

### Ceiling Back Assembly Only

O-BAKCEI-PAS-U-WAG (O-BAKCEIM-PAS-U-WAG for M.R.I.)  
O-BAKCEI-PAS-E-AGS (O-BAKCEIM-PAS-E-AGS for M.R.I.)

### Passive Ceiling Station Outlets

O-PASCEI-E-AGS (O-PASCEIM-E-AGS for M.R.I.)  
O-PASCEI-U-WAG (O-PASCEIM-U-WAG for M.R.I.)

Distributed By:

