

WALL OUTLET QUICK DISCONNECT OHMEDA DIAMOND COMPATIBLE

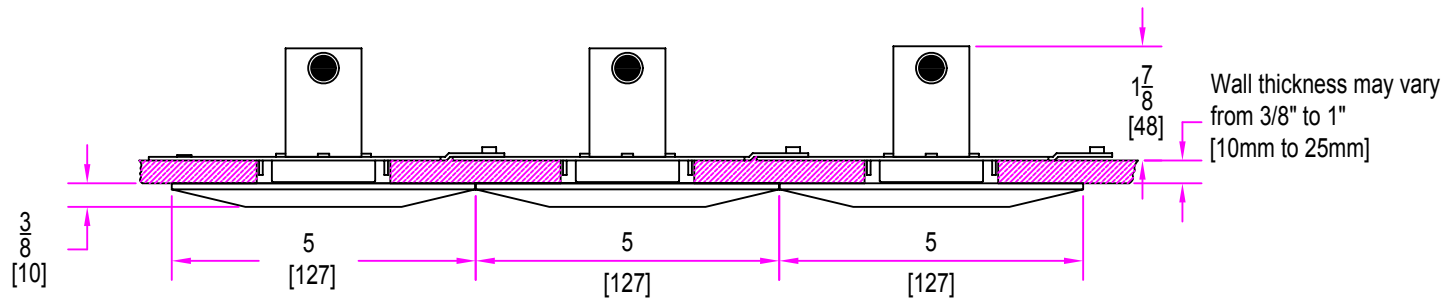
MODEL NUMBERS:

The XXX defines the Gas:
 Oxygen = OXY
 Nitrous Oxide = N2O
 MedVac = VAC
 Waste Anesthetic Gas Disposal = WAG

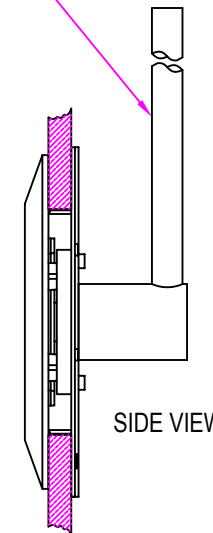
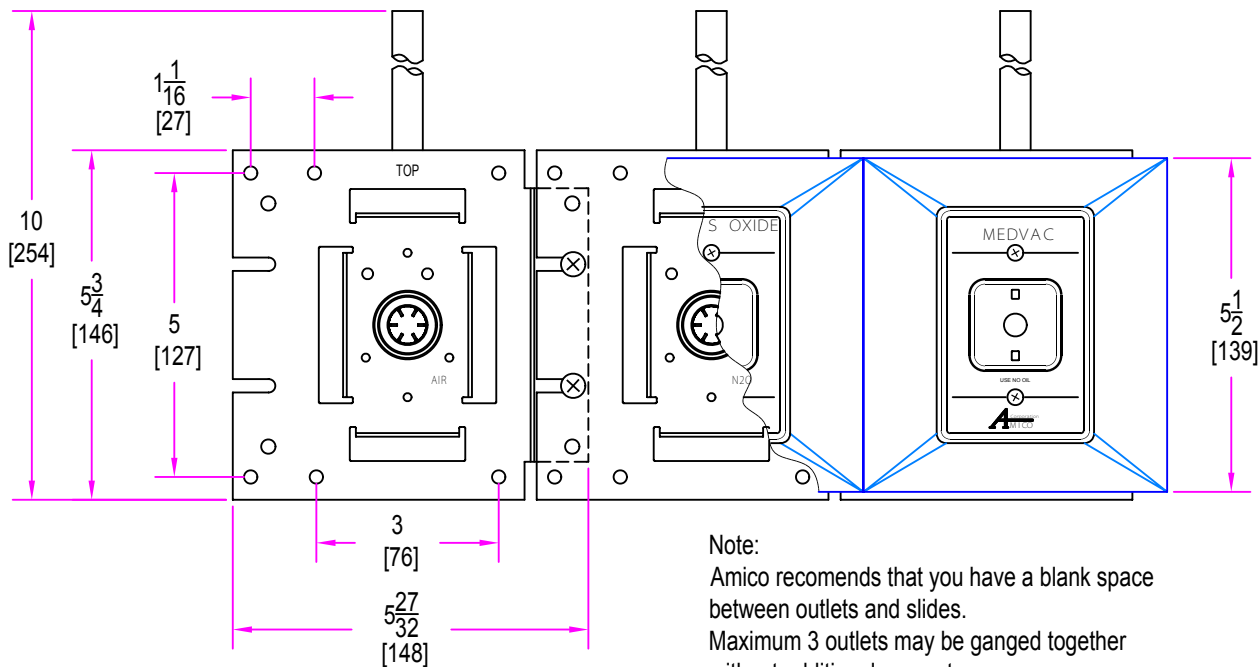
O-QDWAL-L-XXX

The L defines the Language:
 U = English (USA Colors)
 Oxy, Air, Vac, and WAG only
 S = Spanish (USA Colors)
 Oxy, Air, Vac, and WAG only

Example:
 OXYGEN NFPA = O-QDWAL-U-OXY



1/2" O.D. (12.7mm) (3/8" nominal) size
 type "K" copper pipe, rotates 360 deg.
 for entry from any angle



Note:
 Amico recommends that you have a blank space
 between outlets and slides.
 Maximum 3 outlets may be ganged together
 without additional support.

85 Fulton Way
 Richmond Hill, Ontario
 L4B 2N4, CANADA

Tel: (905) 764-0800
 Fax: (905) 764-0862

www.amico.com