

CONSOLE OUTLET DISS

MODEL NUMBERS:

The XXX defines the Gas:

| | |
|-------------------------------|--------------|
| Oxygen | = OXY |
| Medical Air | = AIR |
| MedVac | = VAC |
| Nitrous Oxide | = N2O |
| Nitrogen | = NIT |
| Carbon Dioxide | = CO2 |
| Carbogen | = CAR |
| Waste Anesthetic Gas Disposal | = WAG (NFPA) |

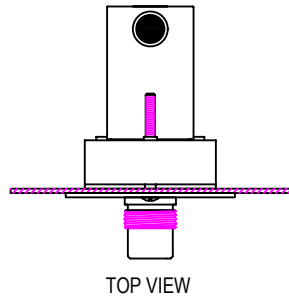
O-DISCON-L-XXX

The L defines the Language:

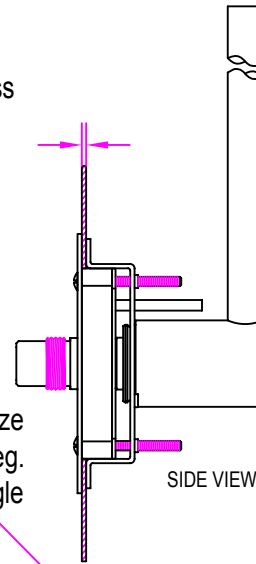
U = English (NFPA) Oxy, Air, Vac and WAG only.
S = Spanish (NFPA) Oxy, Air, Vac and WAG only.

Example:

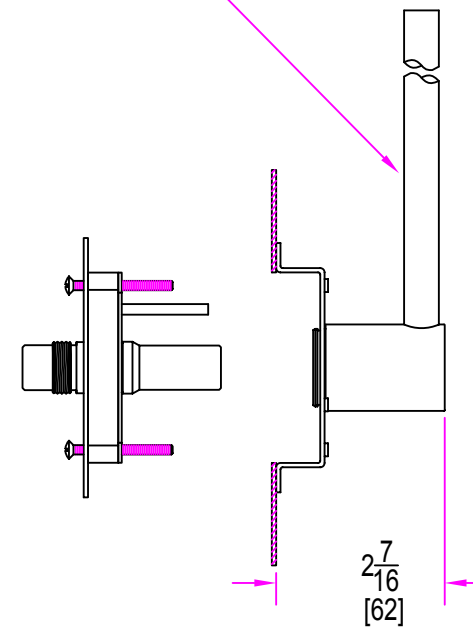
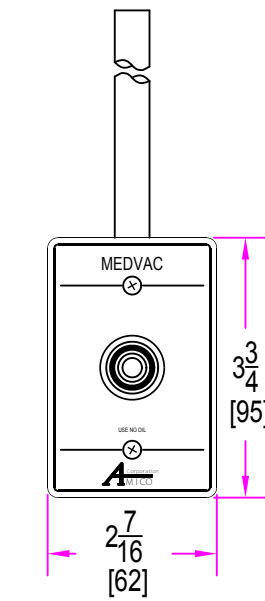
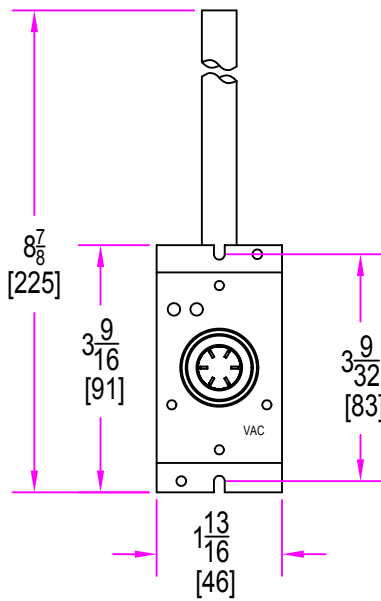
English NFPA - DISS, Oxygen = O-DISCON-U-OXY



Wall thickness
may vary
up to 3/4"
[19mm]



1/2" O.D. (12.7mm) (3/8" nominal) size
type "K" copper pipe, rotates 360 deg.
for entry from any angle



Amico

85 Fulton Way
Richmond Hill, Ontario
L4B 2N4, CANADA
Tel: (905) 764-0800
Fax: (905) 764-0862

www.amico.com