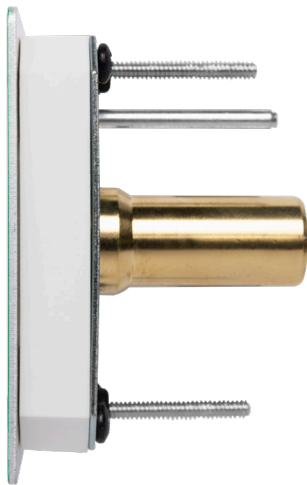


Dental Latch-Valve Assembly

FRONT



SIDE



General Specifications:

The Dental Latch-Valve Assembly has a smaller face plate, to accommodate outlets mounted closer together.

A color coded Front plate shall be used for ease of gas identification and aesthetic appeal.

Dental Latch-Valve Assemblies are available for Ohmeda Compatible, DISS, Puritan-Bennett Compatible and Chemetron Compatible.

Dental Latch-Valve Assemblies shall be cleaned and degreased for medical gas service, factory assembled and tested.

Flow rate exceeds the requirements for NFPA.

Dental Latch-Valve Assemblies are UL Listed and ETL Listed.

Amico products comply with NFPA-99.

Optional Trim Plate



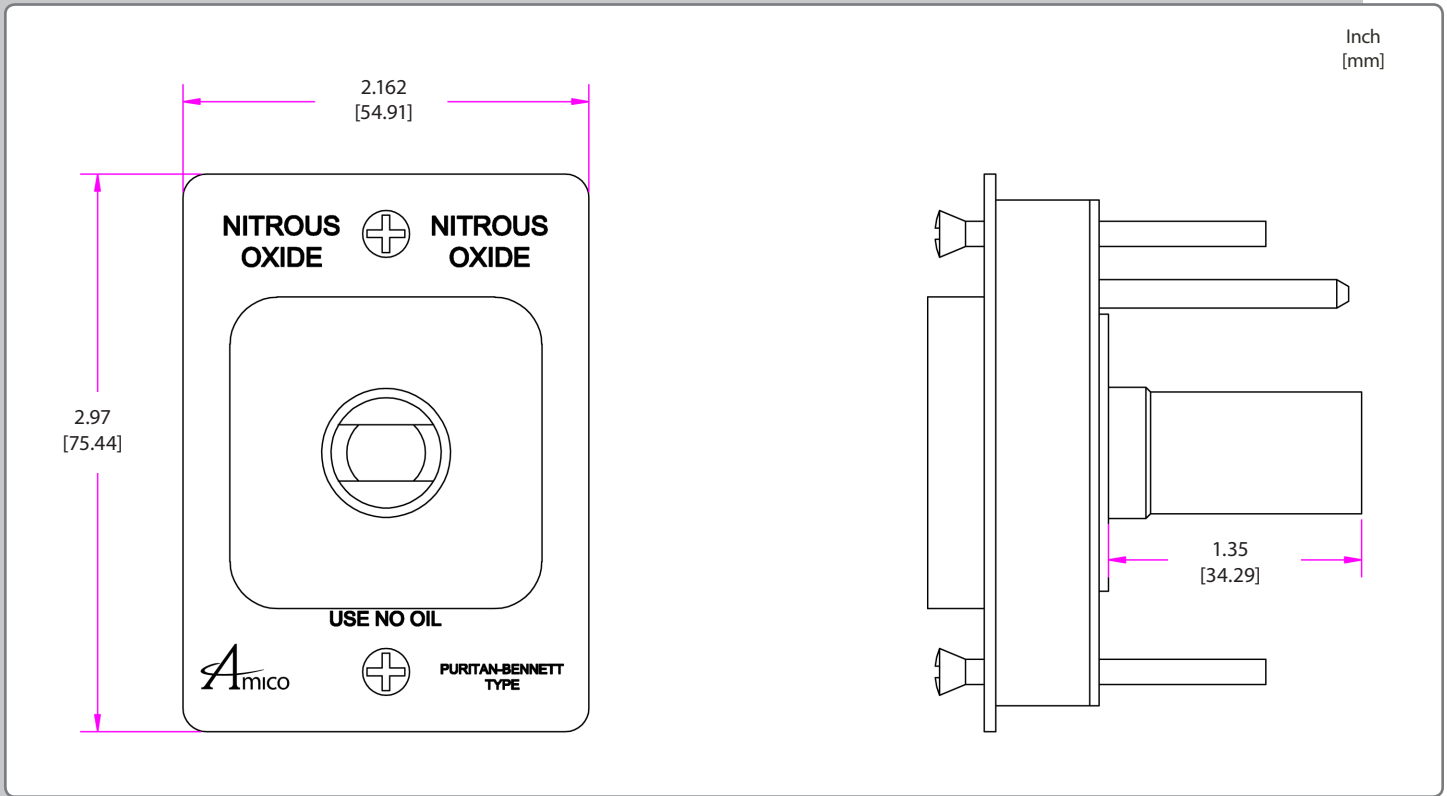
Chemetron Latch-Valve Assembly Type



Puritan-Bennett Latch-Valve Assembly Type



DISS Latch-Valve Assembly Type



Model Numbers

O-FXNC-XX-L-GAS

The Letters "XX" Defines the Latch-Valve Assembly Type:

| | | |
|----------------------------|---|----|
| Ohmeda Compatible | = | QD |
| Chemetron Compatible | = | CH |
| Puritan-Bennett Compatible | = | PB |
| DISS | = | DI |

The Letter "L" Defines the Language:

| | | |
|------------------------------------|---|---|
| English (NFPA) OXY, AIR, VAC & WAG | = | U |
| English (CSA/ISO) | = | E |
| French (CSA/ISO) | = | F |

The Word "GAS" Defines the Type of Gas:

| | | |
|--|---|-----|
| Oxygen | = | OXY |
| Nitrogen * | = | NIT |
| Medical Air | = | AIR |
| Carbon Dioxide ** | = | CO2 |
| Nitrous Oxide | = | N2O |
| Medvac | = | VAC |
| Waste Anesthetic Gas Disposal (NFPA) | = | WAG |
| Anesthetic Gas Scavenging System (CSA) | = | AGS |

NOTE:

* Nitrogen available in DISS

** Carbon Dioxide available only in DISS, Ohmeda and Chemetron

Optional Trim Plate: **O-TRIM-P250C**