

# Dental Outlet Assembly



Single



Double

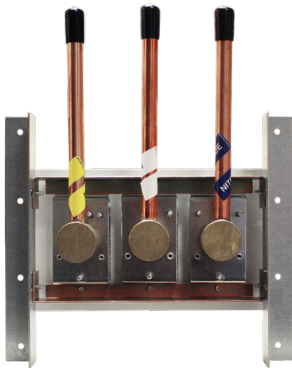


Triple

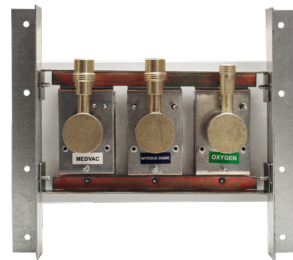
## Features:

- Flow rate exceeds the requirements of NFPA and CSA
- 100% pressure testing of each outlet and cleaned for medical gas service
- Indexed to eliminate interchangeability of gas services
- Up to 25 mm [1"] wall thickness adjustment
- 360° swivel inlet pipe for easy installation

## Rough-in Connection Styles:



Triple Cabinet - Front View



Triple Assembly - DISS Rough-In

## General Specifications:

The Dental gas outlet shall be an Amico Alert-1 series.

Outlets shall be manufactured with a 7-3/4" [197 mm] length type "K" 12.7 mm [1/2"] outside diameter copper inlet pipe stub or DISS connector, silver brazed to the outlet body. Body shall be 33 mm [1-5/16"] diameter one piece brass construction. For positive pressure gas services, the outlet shall be equipped with a primary and secondary check valve and the secondary check valve shall be rated at a minimum 1379 kPa [200 psi] in the event that the primary check valve is removed for maintenance. Outlet bodies shall be gas specific by indexing each gas service to a gas specific dual pin indexing arrangement on the respective identification module.

A large color coded front plate shall be used for ease of gas identification and aesthetic appeal. A one piece aluminum sub plate shall cover the outlet. With the backbox mounted, the outlet will adjust from 10 mm [3/8"] to 25 mm [1"] variation in wall thickness.

The latch/valve assembly should be either DISS, Ohmeda, Chemetron or Puritan Bennett compatible and accept only corresponding gas specific adapters.

Outlets are UL Listed and ETL Listed. Amico products comply with NFPA 99 and CSA Z7396.1.



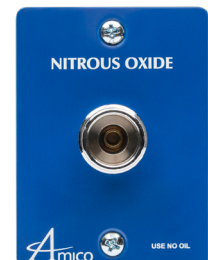
Ohmeda



Chemetron



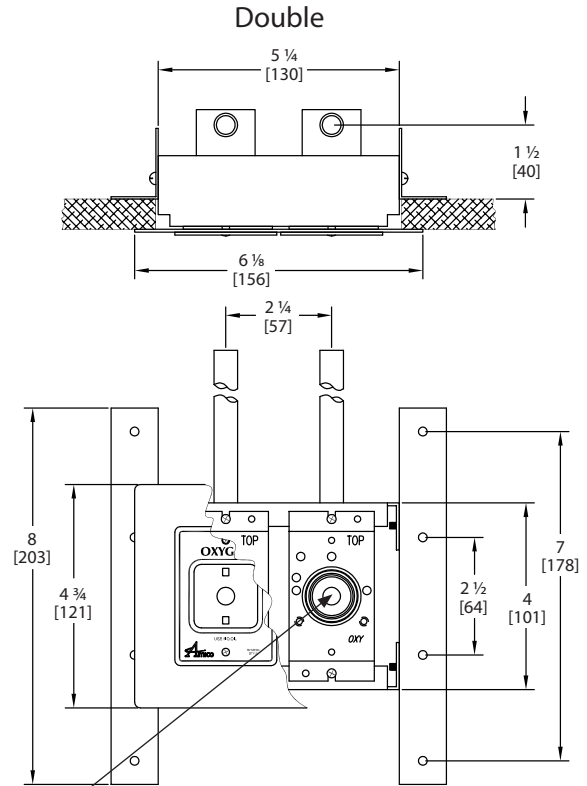
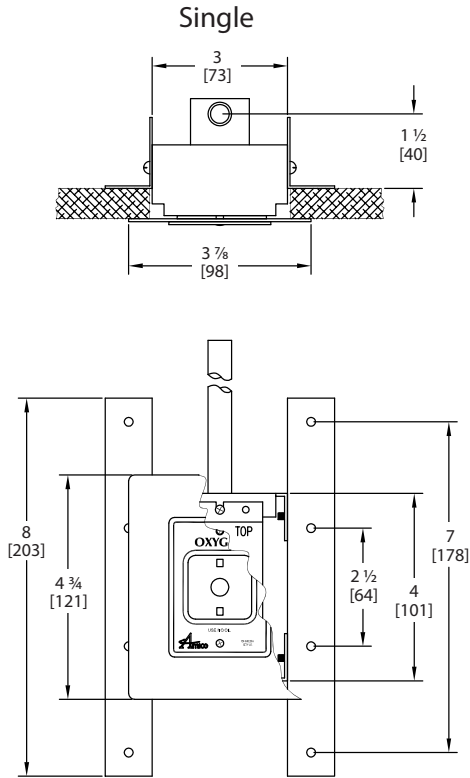
Puritan Bennett



DISS

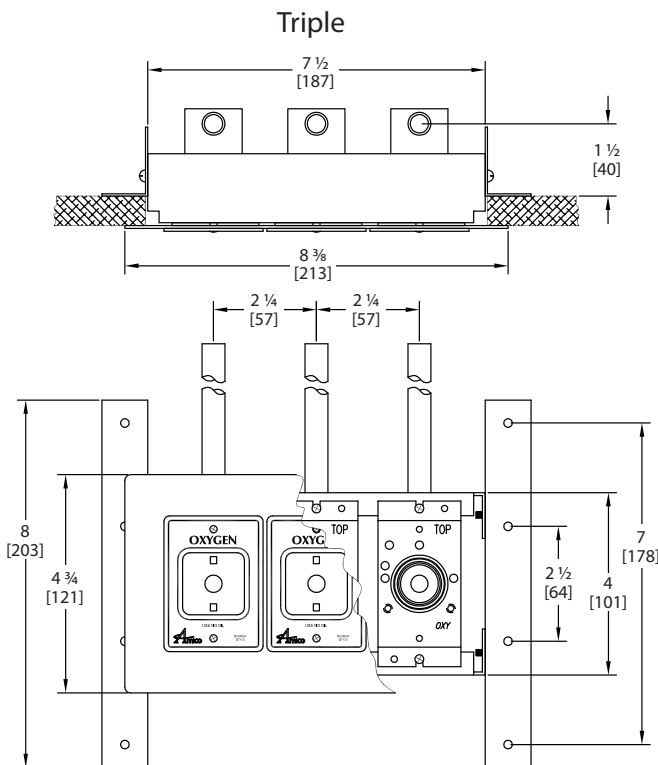
Oxequip/Medstar - not shown

# Technical Specifications



Inch  
[mm]

**NOTE:** For CSA/ISO, suction inlets are not supplied with a secondary check valve. A pressure plug is provided for testing purposes, rated at 150 psi [1,034 kPa].



## Model Numbers

**The Letter "X" Defines the Connection Type:**

Pipestub = T  
DISS rough in connection = D

**The Letter "L" Defines the Language:**

English (NFPA) = U  
English (CSA/ISO) = E

**O-XXDENX-L-XXX**

**The Letter "XX" Defines the Outlet Type:**

D.I.S.S. = DIS  
Ohmeda = QD  
Chemetron = CH  
Puritan Bennett = PB

**The Letter "XXX" Defines the Gas Type:**

Oxygen = O  
Vacuum = V  
Nitrous Oxide = 2  
Dental Vac = DV\*  
Dental Air = DA\*  
Nitrogen = N\*\*  
Medical Air = A

\* Available in DISS and Ohmeda only  
\*\* Available in DISS only

**Example:** Ohmeda, English USA, Oxygen, Nitrous Oxide, Dental Vacuum = **O-QDDENT-U-O2V**