

# Operation, Maintenance & Installation Manual

## Emergency Oxygen Inlet Station

### Low Pressure 2"



Recessed Mount  
Model#: M-FILL-OXY-LP2



Surface Mount  
Model#: M-FILL-OXY-LP2S

# Contents

|  |     |
|--|-----|
| Introduction                                   | 3   |
| Medical Facility Responsibility                | 3   |
| Installation of Emergency Oxygen Inlet Station | 4   |
| Operating Instructions                         | 4   |
| Repair and Replacement Parts List              | 5   |
| Schematic Drawings                             | 6-7 |
| Optional Check and Relief Valves Parts List    | 7   |
| Model Numbers Also Available                   | 7   |

# Introduction

As required by NFPA-99 (National Fire Protection Association), Health Care Facilities oxygen systems having the source of supply outside the building shall have an inlet to connect a temporary, auxiliary source of supply for emergency or maintenance situations. This connection shall include necessary valves and to allow for an emergency supply of oxygen and isolation of the normal source of supply. The inlet connection shall be a 2" female NPT connection and be provided with a plug to prevent entry of foreign matter into the oxygen system when not in use.

## Medical Facility Responsibility

Amico Emergency Oxygen Inlet Stations will perform in conformity with the descriptions contained in this manual and accompanying labels and/or inserts when assembled, operated, maintained and repaired in accordance with the instructions provided.

Emergency Oxygen Inlet Stations must be inspected periodically. A defective product should not be used. Parts that are broken, missing, plainly worn, distorted or contaminated should be replaced immediately. Should such repairs or replacements become necessary, please contact your local distributor.

# Installation of Emergency Oxygen Inlet Station

**NOTE:** Prior to installation, inspect the unit to ensure no tampering or damages were incurred.

1. Anchor the oxygen inlet station on a finished wall with the appropriate hardware.
2. Before brazing, wrap wet rags around the tube extension next to the valve body to prevent overheating and possible damage to the valve seals. Connect copper tubing to the copper extension using brazing methods and materials in accordance with NFPA-99 or CSA Z7396.1.
3. Test the system for leaks (as per appropriate standards).

## Operating Instructions

### To Operate:

1. Ensure that the isolation valve is closed.
2. Open the threaded connection.
3. Connect a pigtail to the oxygen threaded connection.
4. Check the inlet pressure gauge for supply pressure.
5. Ensure that the connection is not leaking.
6. Open the outlet valve.
7. The "Emergency Oxygen Inlet Station" is now in operation.

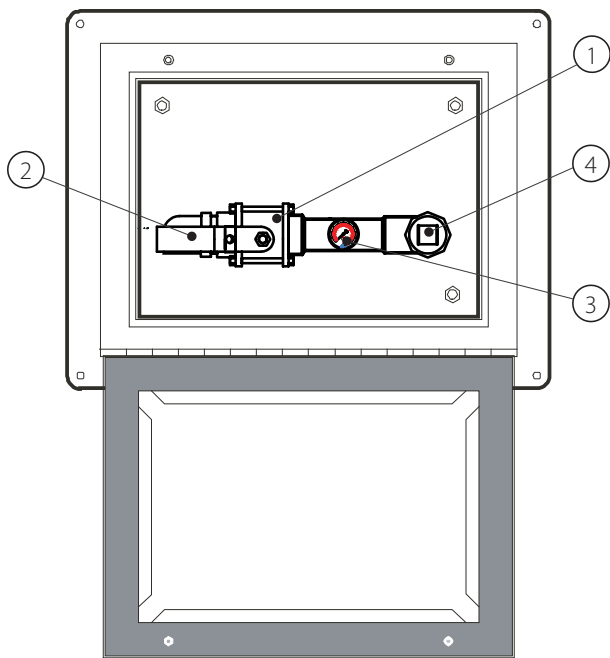
### To Shut Down:

1. Ensure that the main bulk oxygen system is working correctly.
2. Close the isolation valve.
3. Close the supply pressure to the pigtail.
4. Open the threaded connection.
5. Replace the cover plug.
6. Close the cover and engage the padlock.

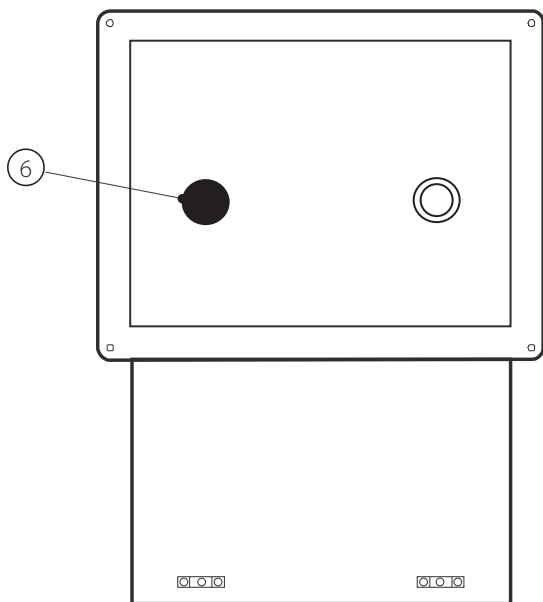
# Repair and Replacement Parts List:

- |    |                   |  |
|----|-------------------|--|
| 1. | V-X-RK-NIB-20     | Repair kit for 2" ball valve - seats and O-rings |
| 2. | V-X-VLV-HAND-L    | Valve handle sleeve for 2"                       |
| 3. | V-X-GAUGE-100     | Gauge 100 psi/690 kPa – 1/8" NPT                 |
| 4. | M-X-OXF-20-PLG    | 2" NPT hex-head plug                             |
| 5. | V-X-BOX-PLUG-25-B | Box plug for oxygen inlet station 2 1/2" (black) |
| 6. | V-X-BOX-PLUG-30-B | Box plug for oxygen inlet station 3" (black)     |

**Recessed Mount**

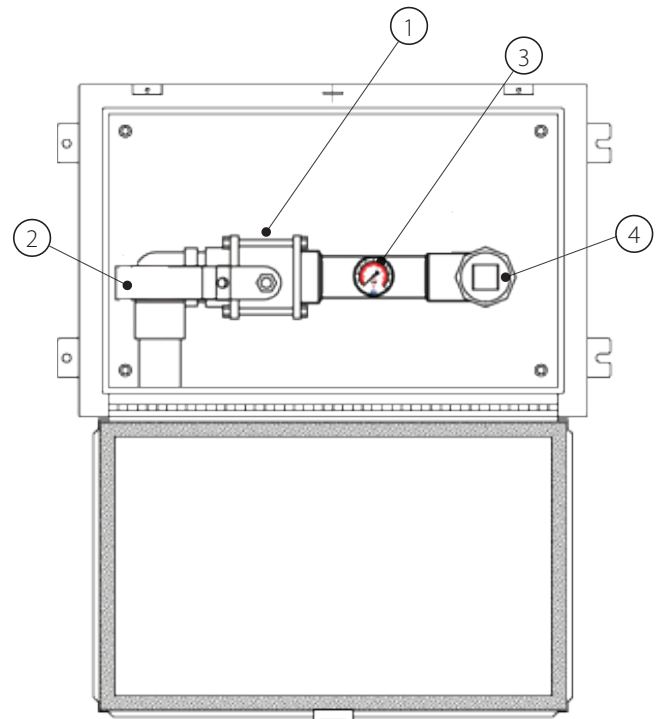


Front view



Back view

**Surface Mount**

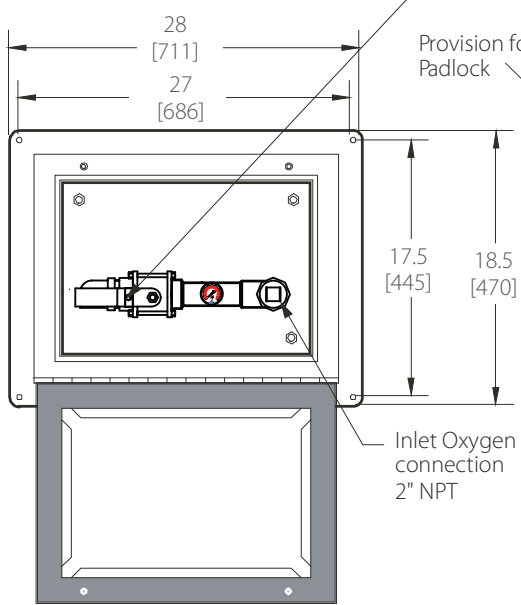
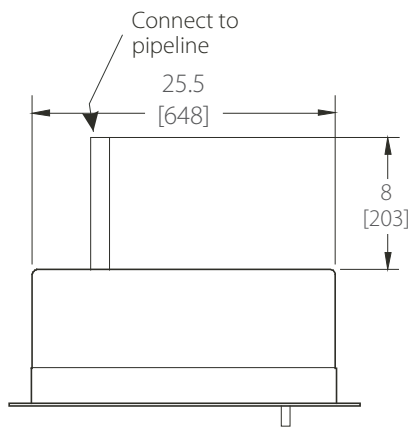


Front view



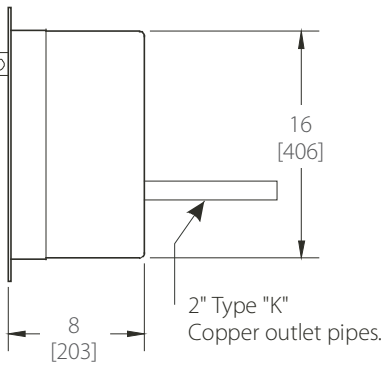
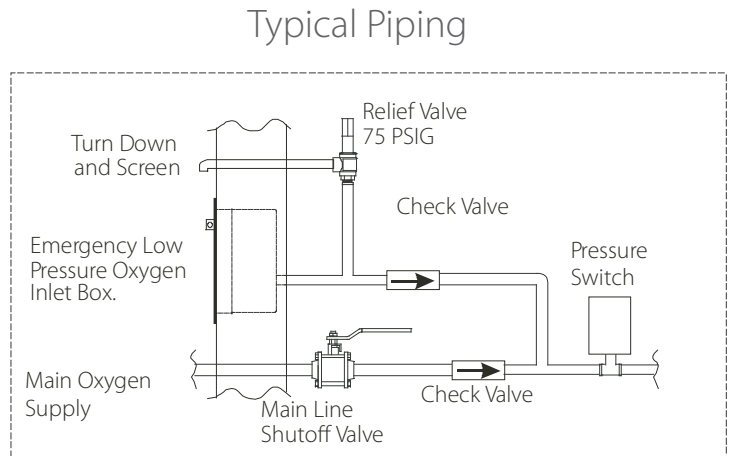
Bottom view

# Schematic Drawing - Recessed Mount



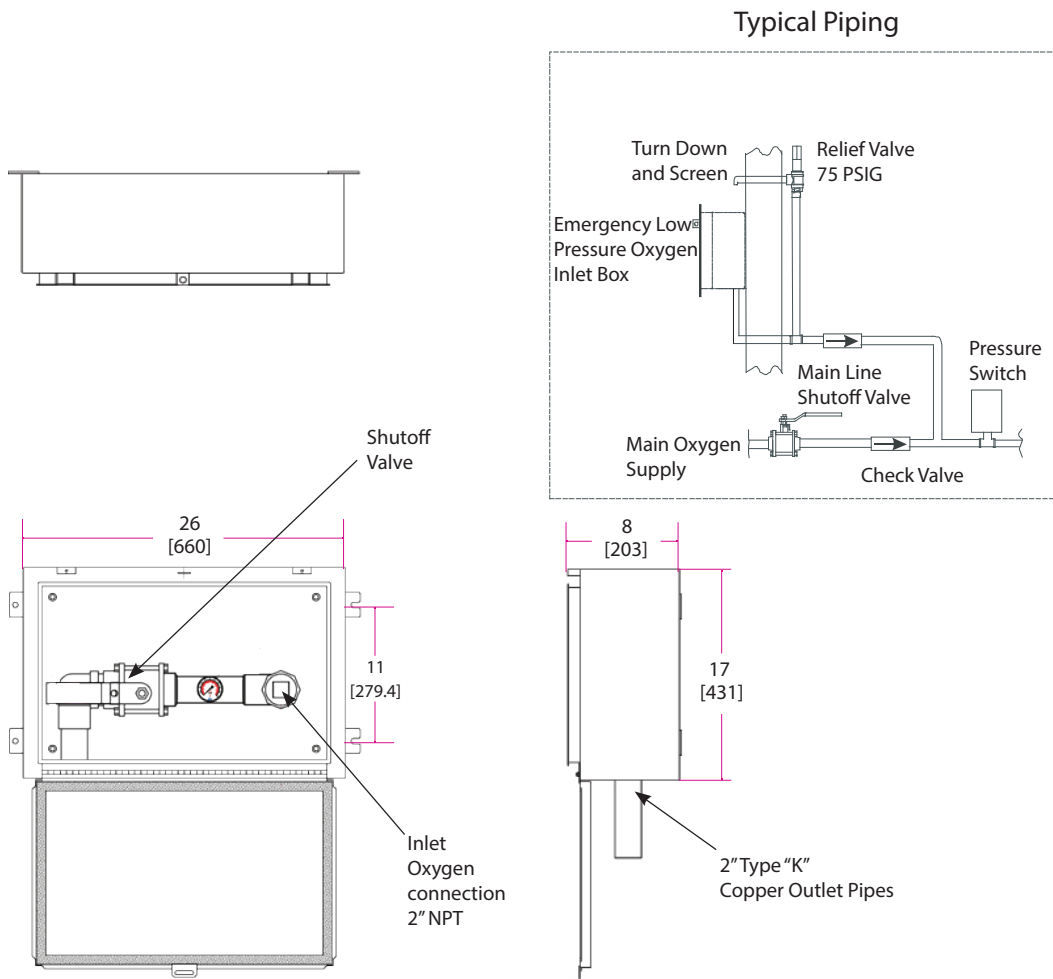
Shutoff Valve

Provision for Padlock



Model Number: **M-FILL-OXY-LP2**

# Schematic Drawing - Surface Mount



Model Number: **M-FILL-OXY-LP2S**

## Optional Check and Relief Valves (to be ordered separately):

Check Valve 1"

Check Valve 1-1/2"

Check Valve 2"

Relief Valve Pipe Away Adapter 1/2" NPT (NFPA)

Relief Valve (NFPA)

Relief Valve (CSA)

**VV-CHK3-EXT10**

**VV-CHK3-EXT15**

**VV-CHK3-EXT20**

**M-X-PIPEAWAY-05**

**M-X-MAN-72W-075**

**M2-X-MAN-73-075**

## Model numbers also available:

**M-FILL-OXY-LP-S**

**M-FILL-OXY-LP**

**M-FILL-OXY-S**

**M-FILL-OXY**

Emergency low pressure oxygen inlet station 1" surface mounted

Emergency low pressure oxygen inlet station 1" recessed mounted

Emergency high pressure oxygen inlet station 1" surface mounted

Emergency high pressure oxygen inlet station 1" recessed mounted

# www.amico.com

Amico Pipeline | [www.amico.com](http://www.amico.com)

85 Fulton Way, Richmond Hill  
Ontario, L4B 2N4, Canada

Toll Free Tel: 1.877.462.6426  
Toll Free Fax: 1.866.440.4986  
Tel: 905.764.0800  
Fax: 905.764.0862  
Email: [info@amico.com](mailto:info@amico.com)