

Emergency Oxygen Inlet Station Surface Mount High Pressure



Model Number: M-FILL-OXY-S

Features:

- Lockable weather tight enclosure for outside mounting
- High pressure CGA-540 cylinder connection
- Gauge for display of supply pressure
- Available in recessed and surface mount
- An eight-point terminal block is provided for connection to a temporary monitoring system
- 3-piece check valves and brass body relief valves available for installation (must be ordered separately)

General Specifications:

The "Emergency Gaseous Oxygen Inlet Station" shall be an Amico Alert-1 series.

As required by NFPA 99 and CSA Z7396.1, oxygen systems having the source of supply outside the building shall have an inlet to connect a temporary, auxiliary source of supply for emergency or maintenance situations. This connection shall include necessary valves and to allow for an emergency supply of oxygen and isolation of the normal source of supply. The inlet connection shall be a 1" female npt connection and be provided with a plug to prevent entry of foreign matter into the oxygen system when not in use.

A 1" brass ball valve controls access to the Emergency supply, and the gauge indicates the pressure being introduced into the oxygen pipeline. Maximum input pressure of 3,000 psi.

The Emergency Gaseous Oxygen Inlet shall be housed in a weather tight surface mount enclosure.

The enclosure door shall be labeled "Emergency High Pressure Oxygen Inlet Station" and shall be equipped with a staple for padlocking to allow entry only by authorized personnel.

The interior of the enclosure shall be clearly labeled with instructions for connection and operation of the emergency oxygen inlet.

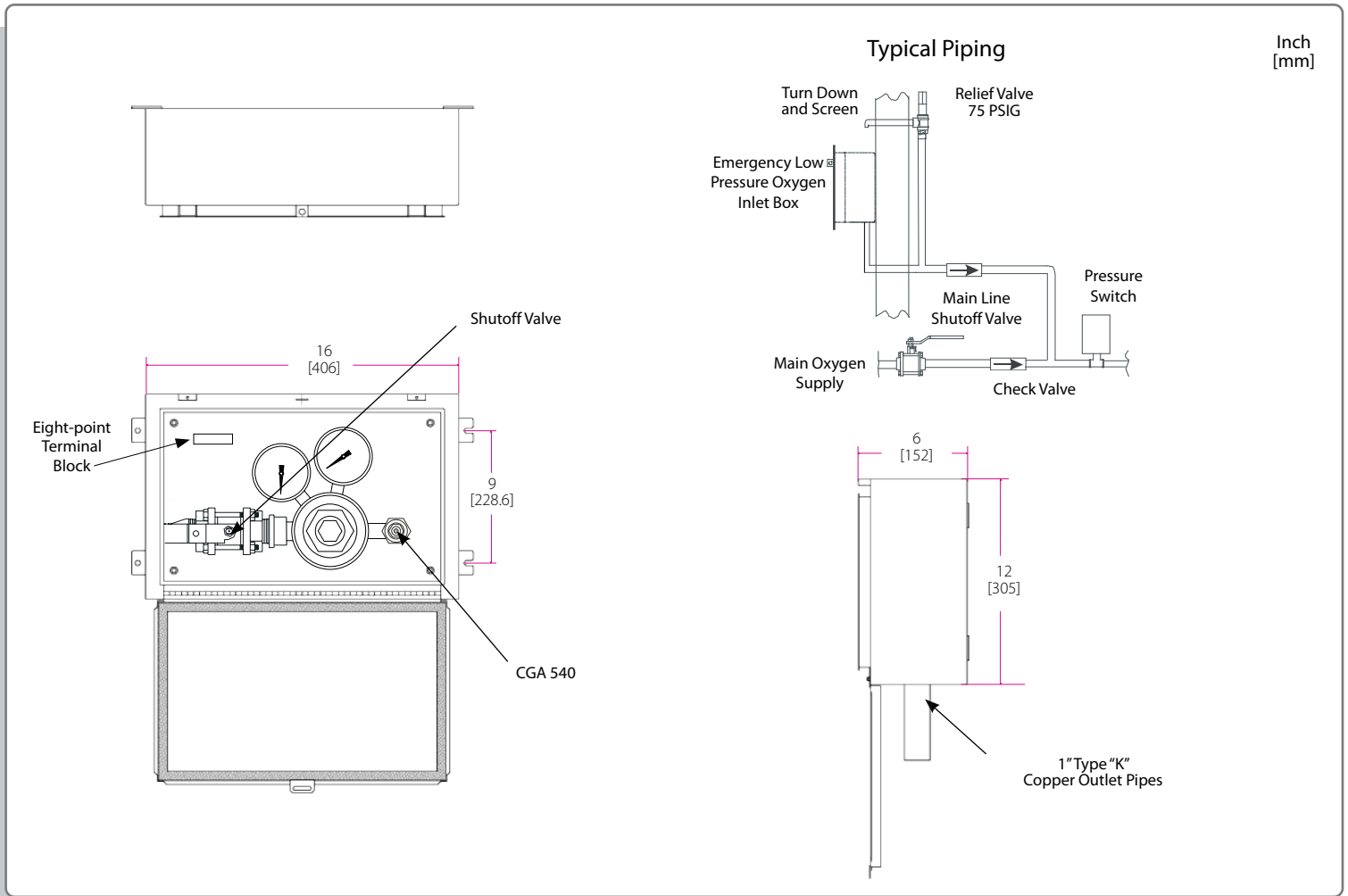
Bronze body check valves with female pipe threads on each end is required for installation in the main and emergency supply pipeline in accordance with NFPA 99 and CSA Z7396.1.

A brass body relief valve with the relief pressure set @75 psi is required for installation in the emergency supply line. The relief valve shall be supplied factory cleaned for oxygen service and shall automatically reset after discharging to provide a positive seal.

Amico products comply with NFPA 99 and CSA Z7396.1.

Project

Technical Specifications



Model Numbers

- Recessed wall mount (NFPA)
- Recessed wall mount (ISO)
- Surface wall mount (NFPA)
- Surface wall mount (ISO)

- M-FILL-OXY**
- M-FILL-OXY-E**
- M-FILL-OXY-S**
- M-FILL-OXY-E-S**

Optional Check and Relief Valves (to be ordered separately):

- 1" 3-piece check valve with copper extensions
- 1½" 3-piece check valve with copper extensions
- 2" 3-piece check valve with copper extensions
- Relief Valve Pipe Away Adapter ½" NPT (NFPA)
- Relief Valve (NFPA)
- Relief Valve (CSA)

- VV-CHK3-EXT10**
- VV-CHK3-EXT15**
- VV-CHK3-EXT20**
- M-X-PIPEAWAY-05**
- M-X-MAN-72W-075**
- M2-X-MAN-73-075**

Distributed By:

