

Dome Loaded Manifold CSA



Features:

- Fully automatic with dual line regulators
- Input power 110 VAC to 240 VAC, 50 to 60 HZ
- Control panel incorporates six LED's which, when illuminated, is noticeable even in poor lighting conditions
- 3/4" (19 mm) isolation valve for supply line
- Includes wall mounting bracket
- Removable cabinet enclosure for easy installation and service
- Manifold complies with NFPA 99
- Flow capacity:
 - Oxygen, Medical Air, Nitrous Oxide and Carbon Dioxide – 4,500 SCFH [2,123 L/min]
 - Nitrogen and Instrument Air – 6,000 SCFH [2,831 L/min]

General Specifications:

The Manifold shall be a fully automatic type and shall switch from "Bank in Use" to "Reserve Bank" without fluctuation in the final line pressure.

After the switchover, the "Reserve Bank" shall then become the "Bank in Use" and the "Bank in Use" shall become the "Reserve Bank". The control panel includes a line gauge, two bank gauges and incorporates six LED's, two Green for "Bank in Use", two Yellow for "Bank Ready" and two Red for "Bank Empty" on the front of the cabinet. The manifold consists of two bank regulators [dome-bias] used to reduce the cylinder pressure of the two line regulators which in turn controls the final line pressure. The manifold has an intermediate and two line relief valves.

The unit shall be compact, measuring 19" high x 17" wide x 9" deep [483 mm x 432 mm x 229 mm].

PLEASE NOTE:

- The manifold shall be equipped with a 3/4" [19 mm] outlet shutoff valve. The valve comes complete with a 3/4" [19 mm] type "K" 6-3/4" [172 mm] long pipe extensions and 1/8" [3 mm] port for an optional pressure switch.
- The header bars shall be equipped with high pressure shutoff valves outside the cabinet to allow for emergency isolation of the header bars. The header bar shall incorporate integral check valves for each station.
- The manifold is equipped with pressure transducers, which sends information to the main circuit board for operation of the fail-safe relay which transmits a remote signal to the master alarm or buzzer.
- The header bar mounting brackets are only supplied with more than 10 cylinders, for a staggered header bar, and more than 4 cylinders for a straight header bar.
- The Manifold cabinet has a Nema-1 rating for general purpose use.
- Optional heaters are available for N2O and CO2 manifolds.
- **The flow capacity of a nitrous oxide and carbon dioxide manifold depends upon the environmental conditions at the installation site and the number of cylinders in service. Installing them in a location that exposes it to an ambient temperature below 32°F [0°C] is not recommended.**
- The manifold shall be installed in accordance with the requirements stated by CSA, CGA, and all applicable local codes. Amico recommends the control cabinet be located at an installation site protected from rain, snow and the direct rays of the sun.
- CGA gas specific header bar with integral check valves and cylinder pigtail assemblies (to be ordered separately).

Technical Specifications

Figure 1: Standard Set-up

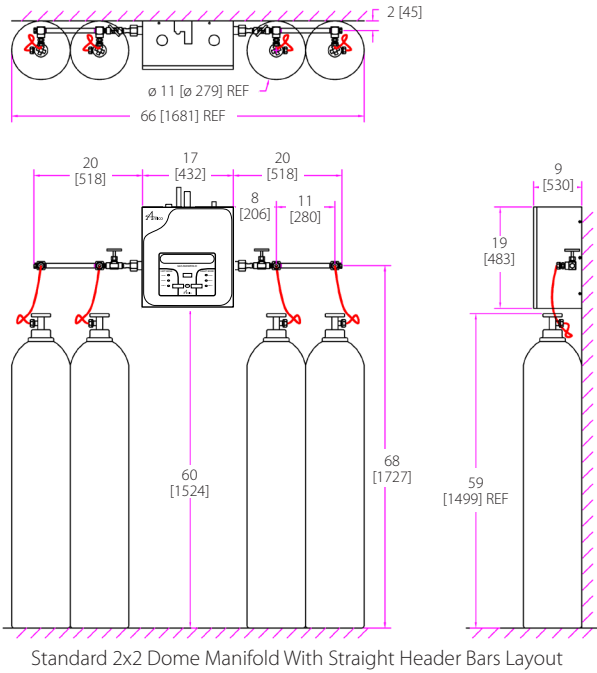
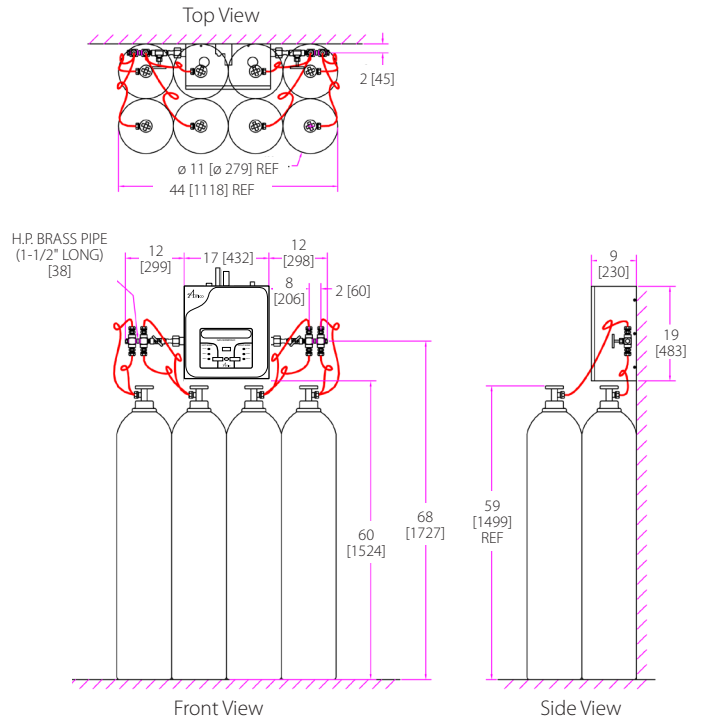


Figure 2: Optional Set-up



Inch [mm]

NOTE: Header bar pipes can be changed from standard 10 1/2" to 8 1/2" (267 mm to 216 mm), 6" (152 mm) or 1 1/2" (38 mm) depending upon the requirements. Figure 2 shows optional set-up which utilizes the space for small rooms or closets.

Model Numbers

Manifold Cabinet:

M2HD-DLC-HH-L-XXX

HD = Heavy Duty

DLC = Dome Loaded (CSA)

HH = High Pressure

The Letter "L" Defines the Language:

E = English (ISO)

F = French (ISO)

The Letters "XXX" Define the Type of Gas:

Oxygen = OXY

Nitrogen = NIT

Medical Air = AIR

Carbon Dioxide = CO2

Nitrous Oxide = N2O

Argon = ARG

Helium = HEL

Heliox = HELIOX

Instrument Air = IAR

Header-Bar Assembly:

M2-HBYY-XXL-XXX

The Letters "YY" Define the Type of Header-Bar Assembly:

TS = Straight c/w Stainless Pigtails

TC = Straight c/w Copper Pigtails

XS = Staggered c/w Stainless Pigtails

XC = Staggered c/w Copper Pigtails

The Letters "XX" Define the Number of Cylinders:

2 x 2 use 04

4 x 4 use 08

Distributed By:

Wall Bracket for Header-bar Assembly: **M-X-HB-WLBRKIT**

Note: For oxygen service use only copper pigtails

Amico Corporation 85 Fulton Way, Richmond Hill, ON L4B 2N4, Canada | 600 Prime Place, Hauppauge, NY 11788, USA

Toll Free Tel: 1.877.462.6426 | Toll Free Fax: 1.866.440.4986 | Tel: 905.764.0800 | Fax: 905.764.0862