

Outlet Repair Kit

for Latch-Valve Assemblies and Back Body Assemblies

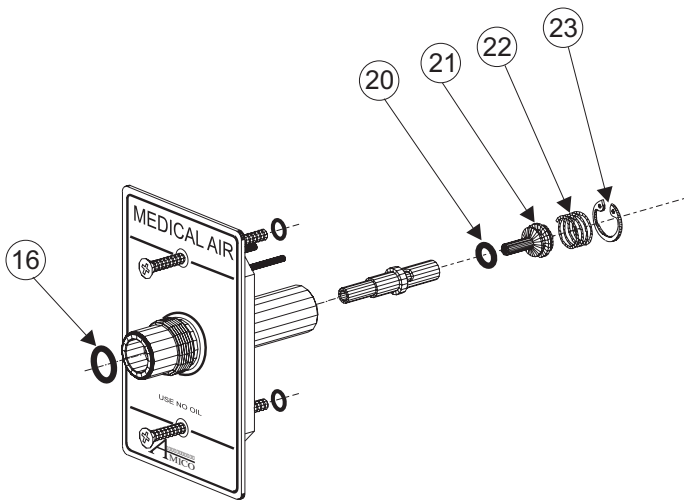
General Specifications:

OUTLET CARE

Outlets manufactured by Amico Corporation are ALL cleaned for Oxygen service. DO NOT USE OIL when operating or cleaning the outlets. Outlets must be checked for wear, damage and proper function once a year. Outlets subject to high use should be inspected at least every three months.

Model Numbers

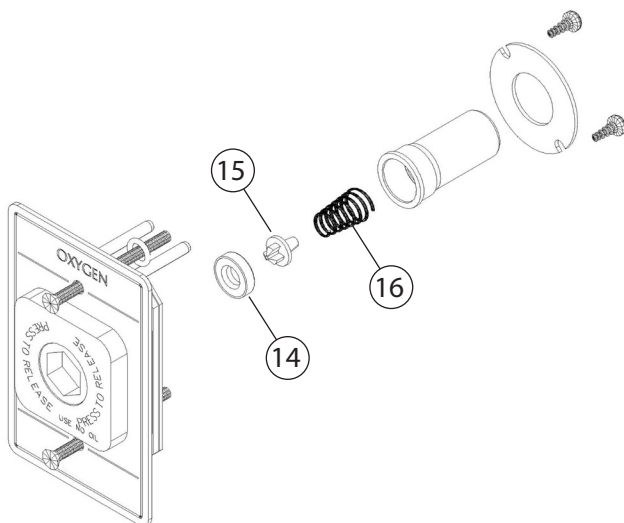
DISS Latch-Valve Assembly



Repair Kit Part Number: O-RK-LVA-DIS	
Item	Description
16a	O-Ring (Nitrogen)
16b	O-Ring (Vacuum)
16c	O-Ring (Nitrous Oxide)
	*** OXY, AIR and CO2 does not require O-Ring ***
20	Primacy Check-Valve O-Ring
21	Brass Primary Check-Valve
22	Primary Check-Valve Spring
23	C-Clip Primary Check-Valve

Compatible with all gases, parts are not sold individually

Puritan-Bennett Latch-Valve Assembly

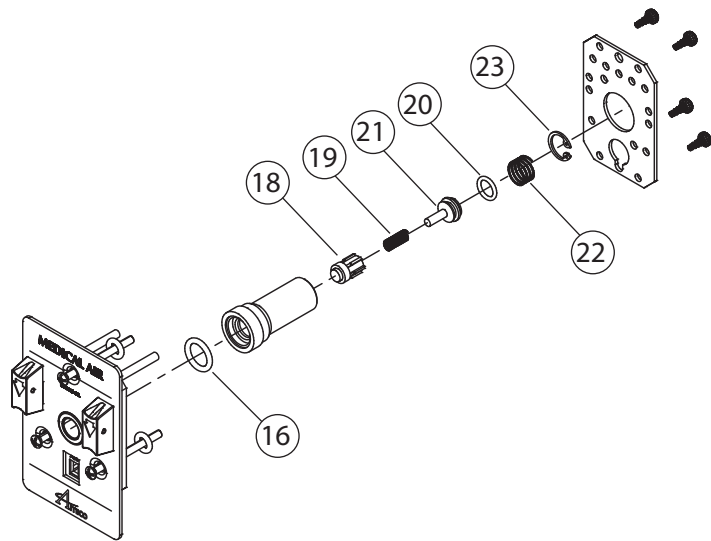


Repair Kit Part Number: O-RK-LVA-PB	
Item	Description
14	Body Seal
15	Poppet for Body
16a	Body Spring (All Gases)
16b	Body Spring (Vacuum)

Compatible with all gases, parts are not sold individually

Model Numbers

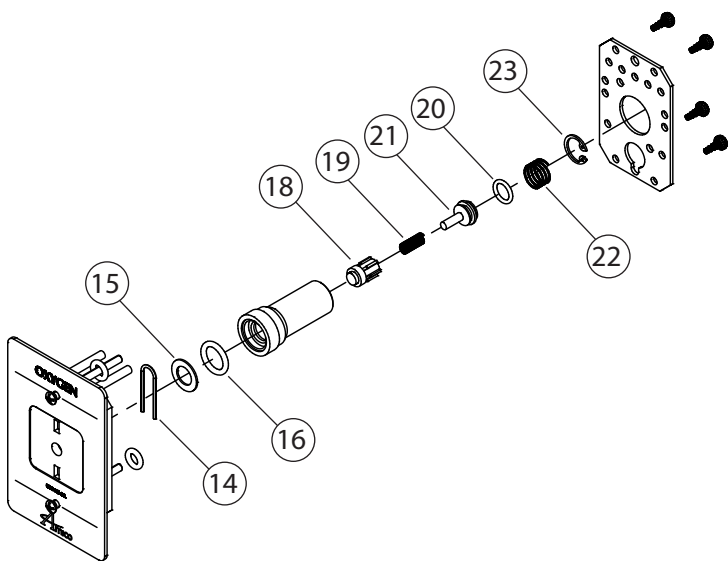
Chemetron Latch-Valve Assembly



Repair Kit Part Number: O-RK-LVA-QD	
Item	Description
16	O-Ring
18a	Primary Dust Cap (Vacuum) (For Chemetron Only)
18b	Primary Dust Cap (All Gases)
19	Primary Dust Cap Spring
20	Primary Check-Valve O-Ring
21	Brass Primary Check-Valve
22a	Primary Check-Valve Spring (Vacuum)
22b	Primary Check-Valve Spring (All Gases)
23	C-Clip Primary Check-Valve

Compatible with all gases, parts are not sold individually

Ohmeda Latch-Valve Assembly

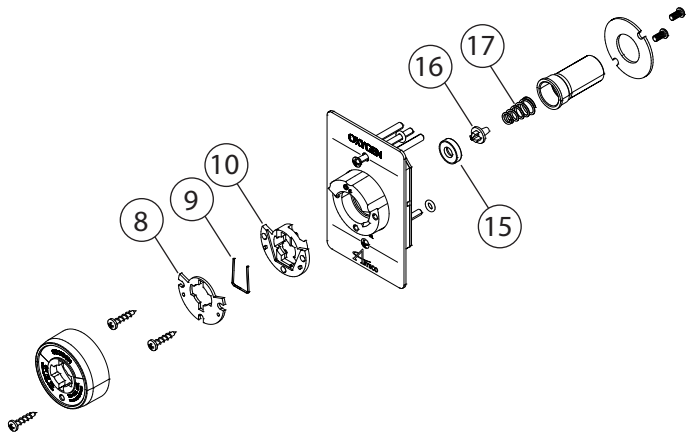


Repair Kit Part Number: O-RK-LVA-QD	
Item	Description
14	U-Spring
15	Stainless Washer
16	O-Ring
18a	Primary Dust Cap (Vacuum) (For Chemetron Only)
18b	Primary Dust Cap (All Gases)
19	Primary Dust Cap Spring
20	Primary Check-Valve O-Ring
21	Brass Primary Check-Valve
22a	Primary Check-Valve Spring (Vacuum)
22b	Primary Check-Valve Spring (All Gases)
23	C-Clip Primary Check-Valve

Compatible with all gases, parts are not sold individually

Model Numbers

Oxequip Latch-Valve Assembly



Item	Description
8	Cover Guide Plate**
9	U-Spring**
10	Cam Guide Plate**
15	Body Seal*
16	Poppet for Body*
17a	Spring for all gases (except Vac)*
17b	Spring for Vacuum

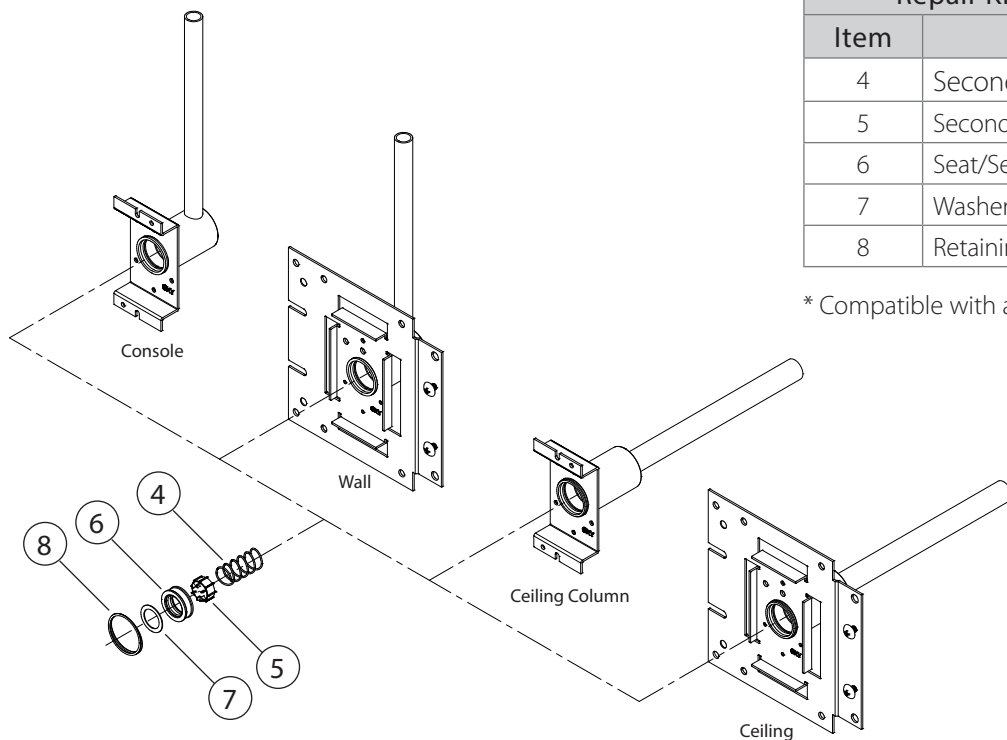
* Found in repair kit: **O-RK-LVA-OX-GC**

** Found in repair kit: **O-RK-LVA-OX-LM**

Both **O-RK-LVA-OX-GC** and **O-RK-LVA-OX-LM** can be ordered as one kit using **O-RK-LVA-OX**

Compatible with all gases, parts are not sold individually

Back Body Repair Kit for Wall & Console



Repair Kit Part Number: O-RK-BAK	
Item	Description
4	Secondary Check-Valve Spring
5	Secondary Check-Valve
6	Seat/Seal
7	Washer
8	Retaining Ring

* Compatible with all gases, parts are not sold individually