

# Surface Mounting Box



## Features:

- Single-outlet surface mounting box
- Accepts any Amico console outlet
- Baked painted steel (18 gauge) bracket is screwed to wall holding outlet rough-in in place for piping to gas supply line
- White ABS fire retardant plastic cover box and outlet latch valve assembly complete surface mounting outlet
- Surface box is also available for M.R.I. use

**Project**

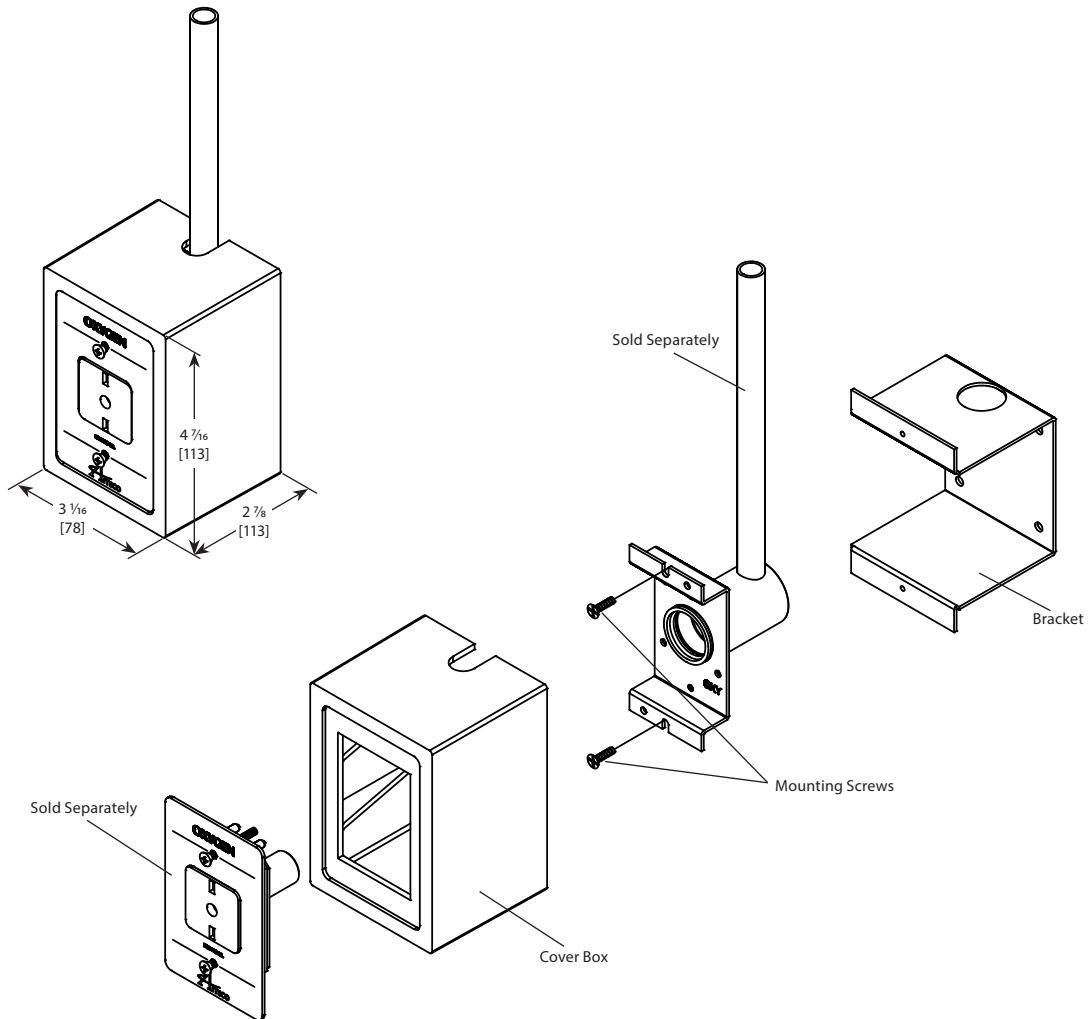
---

---

---

# Technical Specifications

Inch  
[mm]



## Model Numbers

(Consists of cover box, mounting screws, brackets)

### O-SURF-BOX

### O-SURF-BOX-M (for MRI)

For complete Surface Mount Outlet, order:

1. O-SURF-BOX, or O-SURF-BOX-M (MRI)
2. Latch valve assembly (sold separately)
3. Console rough-in assembly (sold separately)