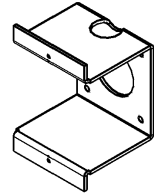


# Outlet Surface Mounting Kit Installation Quick Reference Guide



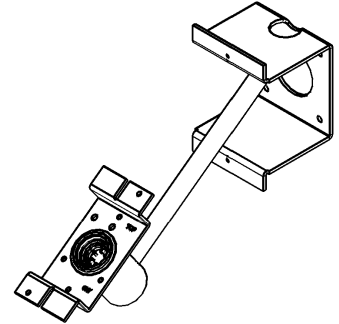
## Step 1

Install the wall bracket onto the wall, using (4) mounting screws (3/16" diameter screws to be provided by the contractor).



## Step 2

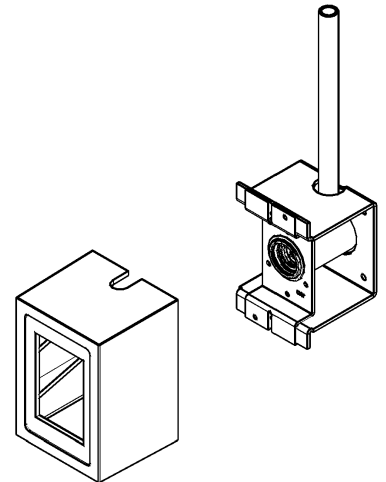
Install the Amico console back body into the wall bracket. Insert the pipe-stub through the large cut-out hole, located at the top of the wall bracket. With (2) 6-32\*1/2" screws (provided with kit) install the console back body onto the wall bracket.



## Step 3

Position the box cover over the wall bracket and console back body.

**NOTE:** Cut-out located on box cover must be placed over the pipe-stub.



## Step 4

Install the Amico latch-valve assembly into the console back body. Use the screws on the latch-valve assembly to install the box cover and latch-valve into place.



**CAUTION:** DO NOT overtighten latch-valve mounting screws. Distortion of the latch-valve can occur.

**Surface Mounting Kit consist of:** (1) wall bracket, (1) box and (2) flat head 6-32\*1/2" screws.

