

Accessory Trim Plates For Outlets



3" Trim Plate



3 1/4" Trim Plate



Plastic Console Trim Plate



Stainless Steel Filler Plate

General Specifications:

3" TRIM PLATE

3" plate is made from zinc metal and is chrome plated.

Model Number

O-TRIM-M300C

Chrome Finish

3-1/4" TRIM PLATE

3-1/4" plate is made from zinc metal. Available in Gray paint or chrome plated.

Model Numbers

O-TRIM-M325G

Gray Painted

O-TRIM-M325C

Chrome Finish

PLASTIC CONSOLE TRIM PLATES

Accessory trim plates are made from ABS fire retardant plastic material. Trim plates are available in three basic colors: Chrome, Gray, Black and White.

Model Numbers

O-TRIM-P275C-G2

Chrome Finish

O-TRIM-P275G-G2

Gray

O-TRIM-P275B-G2

Black

O-TRIM-P275W-G2

White

STAINLESS STEEL FILLER FRAME

The plate is made from stainless steel and is used when you have double stacked drywall up to 1-1/4" thick so that the frame is flush to the drywall.

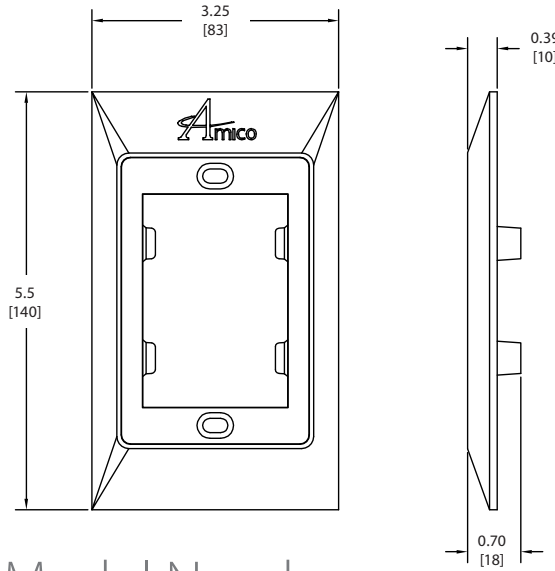
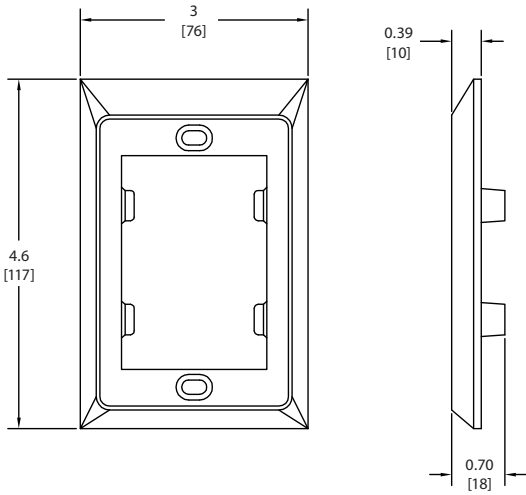
Model Number

O-TRIM-M500SS

Project

Technical Specifications

Inch
[mm]

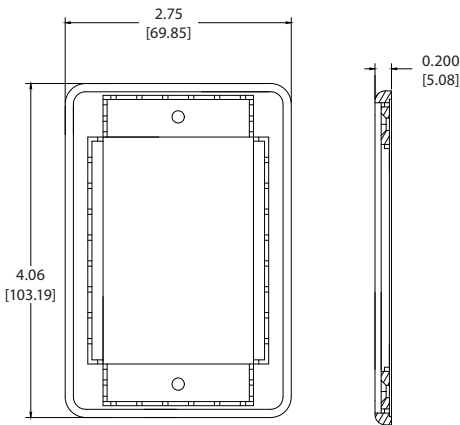


Model Number

O-TRIM-M300C **Chrome Finish**

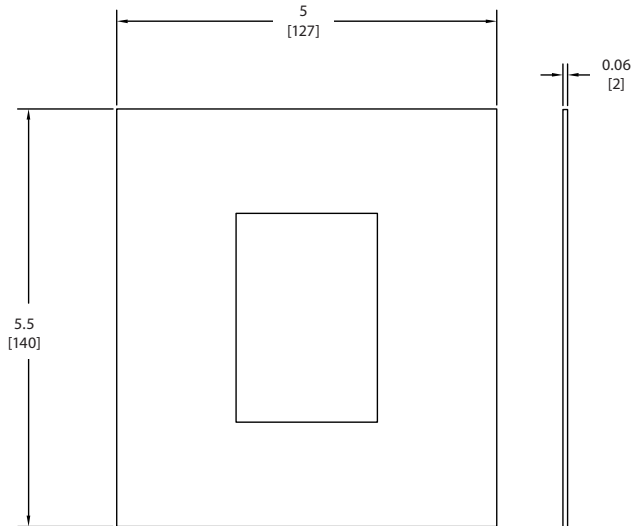
Model Numbers

O-TRIM-M325G **Gray Painted**
O-TRIM-M325C **Chrome Finish**



Model Numbers

O-TRIM-P275C-G2 **Chrome Finish**
O-TRIM-P275G-G2 **Gray**
O-TRIM-P275B-G2 **Black**
O-TRIM-P275W-G2 **White**



Model Numbers

O-TRIM-M500SS