

Pressure Switch for Pressure



Features:

- Removable copper diaphragm capsule
- Instrument quality snap-action switch
- Normally open or normally closed contacts
- Nema 4 water-tight housing with mounting brackets
- Pressure switches for normal 50 psig systems

General Specifications:

Pressure switches for the medical gas alarm system shall incorporate a U.L. Listed single pole double throw snap-action micro switch. The pressure switch shall be prewired with six color coded leads (3 leads for vacuum). Normally open or normally closed circuitry shall be field-selected to be compatible with the medical gas alarm system design. Electrical rating shall be 10 amperes at 120 volt AC.

The pressure switch shall be tested at 160 psi with an adjustable range of .5 to 80 psi and have external calibration dials with tamper-proof cover. Factory settings shall be 40 psi and 60 psi for pressure gases.

The switch enclosure shall be a Nema 4 water tight housing with mounting bracket, 1/4" FNPT bottom inlet gas service line connection, and 3/4" FNPT top inlet conduit.

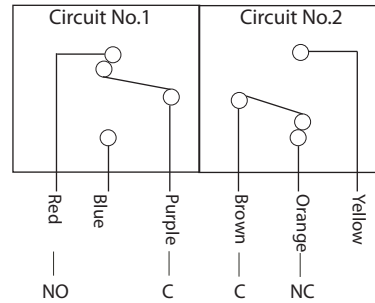
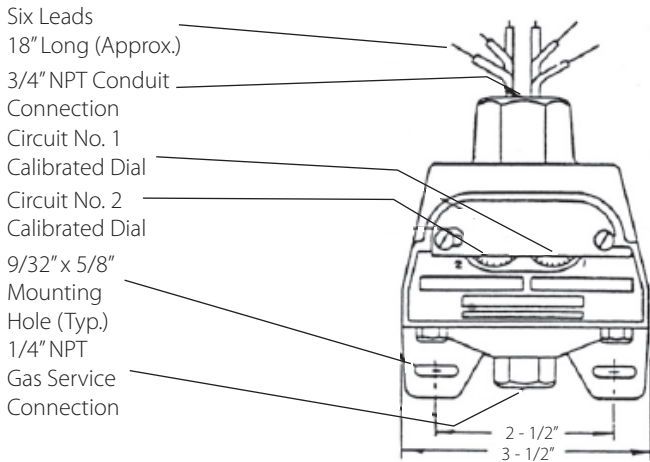
The Pressure Switch is UL Listed and CSA Approved.

Technical Specifications

Switch Adjustment

Pressure

Turn self locking adjustment screw counter-clockwise to increase pressure setting (all dials calibrated for increasing settings)



Wire Coding

Wiring Coding Pressure

Switch Circuit #1 Low	Circuit #2 High
Common - Purple	Common - Brown
Normally Closed - Blue	Normally Closed - Orange
Normally Open - Red	Normally Open - Yellow

Model Numbers

M-PRSW-GAS = Pressure Switch for use with Medical Air, Oxygen, Nitrous Oxide, Carbon Dioxide or other 50 psi gas services.