

R10 General Purpose Regulator



General Specifications:

The General Purpose High Flow Regulator.

The regulator's rugged design allows for general use in demanding applications and accurate pressure regulation.

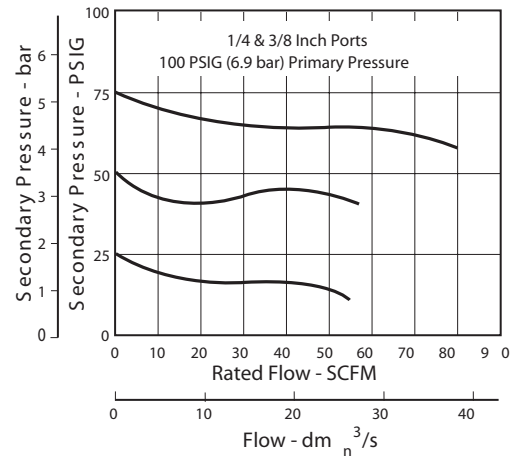
The regulator is panel mountable and cleaned for medical gas service.

Relieving type pressure regulator

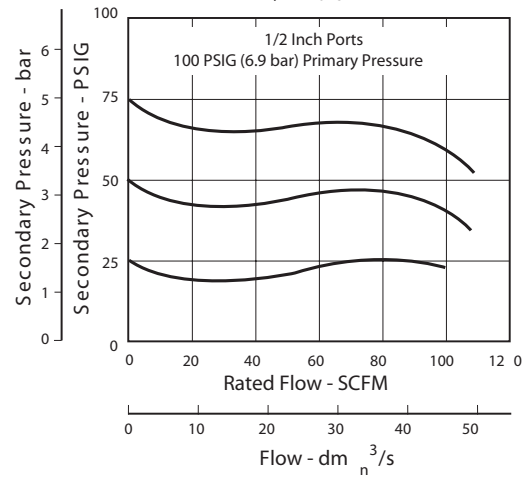
Features:

- Gauge Port (2): 1/4" (6.35 mm)
- Port Threads: 1/4" (6.35 mm), 1/2" (12.7 mm)
- Temperature Rating: 40° F to 150° F (4.4° C to 66° C)
- Weight: 1.9 lbs. (0.86 kg) / unit
- High Flow: 1/4" (6.35 mm) - 80 SCFM
1/2" (12.7 mm) - 100 SCFM
- Operating Pressure
- Capacity: Inlet - 250 psi [1,723 kPa]
Outlet - 0-150 psi [0-1,034.21 kPa]
- Adjusting Knob: Acetal
- Body: Brass
- Bottom Plug: Brass
- Spring Case: Acetal

Flow Characteristics
1/4" Port



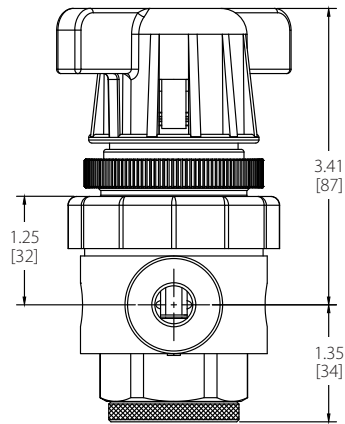
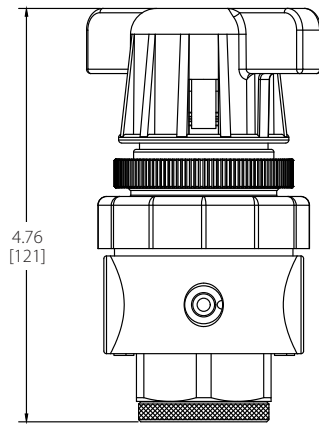
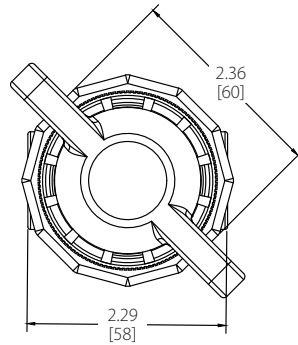
Flow Characteristics
1/2" Port



Project

Technical Specifications

Inch
[mm]



Model Numbers

R-X-REG-W-HP-02

General Purpose Regulator - 1/4" NPT

R-X-REG-W-HP-05

General Purpose Regulator - 1/2" NPT

Distributed By: