

Single Sensor Indicator Panel Combo Unit NFPA



General Specifications:

Zone indicator panel boxes shall be an Amico Alert-1 series.

Each recessed zone indicator panel box shall consist of the following components: A steel box which can house one zone shut-off with tube extensions, an aluminum frame and a pull-out removable window. Gauge options are 100 psi, 300 psi or 30 inHg. The terminal strips are provided with the box. The sensors and DISS fittings are gas specific and provided with the alarm.

The indicator panel box shall be constructed of 18 gauge steel complete with a baked white enamel finish. Affixed to the opposite sides of the box will be two adjustable steel brackets for the purpose of mounting the box to the structural support. The steel brackets shall accommodate various finished wall thicknesses between $\frac{3}{8}$ " (9.5 mm) and $1\text{-}\frac{3}{16}$ " (30 mm) and shall be field adjustable.

The frame assembly shall be constructed of anodized aluminum and shall be mounted to the back box assembly by standard #6 * $\frac{3}{8}$ " tapping screws provided. The removable front shall consist of an opaque window with a pullout ring pre-mounted to the center of the window.

Access to the zone shut-off shall be by merely pulling the ring assembly to remove the window from the frame. The window can be reinstalled without the use of tools only after the shut-off handle has been returned to the open position.

The window shall be marked to prohibit unauthorized persons from tampering with the zone indicator panel with the following silk-screen caution:

"MEDICAL GAS CONTROL VALVES. CLOSE ONLY IN EMERGENCY"

The zone shut-off shall be a 3 piece, ball-type design with a brass forging body and a chrome plated brass ball for sizes $\frac{1}{2}$ " to 3". Seats shall be reinforced Teflon (PTFE) with a Viton seal for $\frac{1}{2}$ " to 3". A blow-out proof stem shall be used and shall have a maximum pressure rating of 600 psi (4,137 kPa).

Zone shut-offs shall be operated by a lever-type handle requiring only a quarter turn from a fully open position to a fully closed position.

The zone shut-offs shall be equipped with type "K" washed and degreased copper pipe stub extensions of sufficient length to protrude beyond the sides of the box.

All pipe stub extensions shall be supplied with suitable plugs or caps to prevent contamination of the assembly prior to installation. The pipe stub extension (long) shall have dual gauge ports. One $\frac{1}{8}$ " NPT elbow shall be provided.

The zone shut-off shall be supplied with an identification bracket which shall be riveted directly onto the zone indicator panel box for the purpose of applying an approved medical gas identification label. A package of labels shall be supplied with each zone indicator panel box assembly for application by the installer.

Amico products comply with NFPA 99.

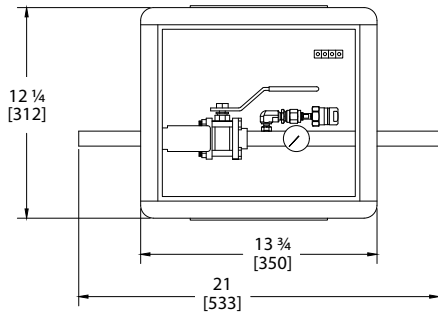
Project

Technical Specifications

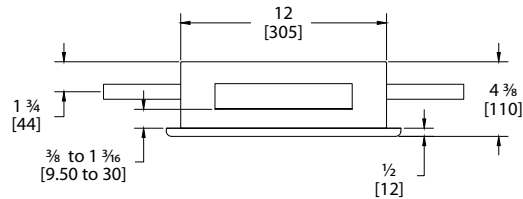
1/2" - 1-1/2" Zone Indicator Panel Box Assembly

Inch
[mm]

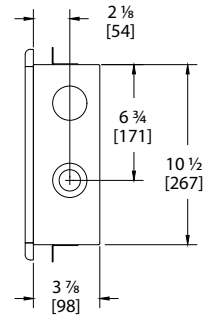
FRONT VIEW



TOP VIEW

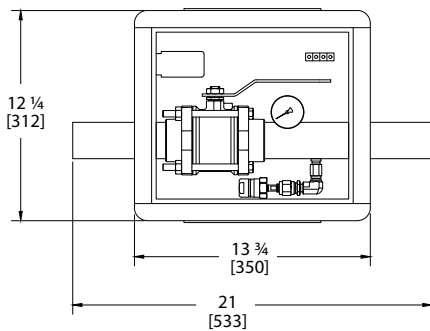


RIGHT SIDE VIEW

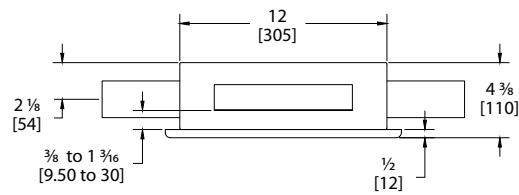


For 2" Zone Indicator Panel Box Assembly

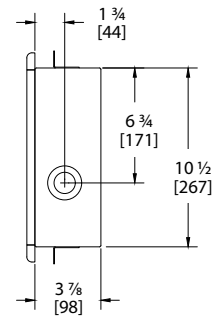
FRONT VIEW



TOP VIEW

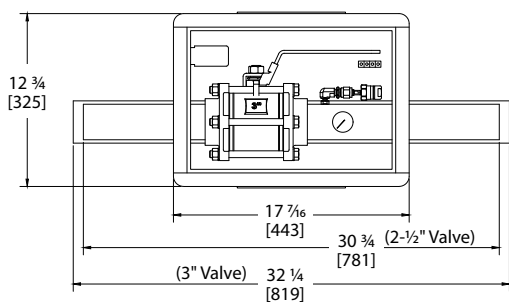


RIGHT SIDE VIEW

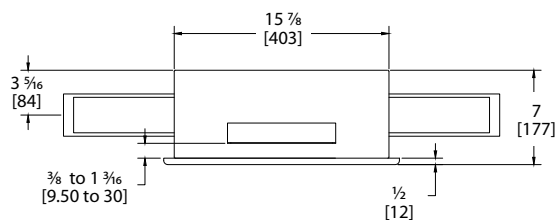


For 2 1/2" to 3" Zone Indicator Panel Box Assembly

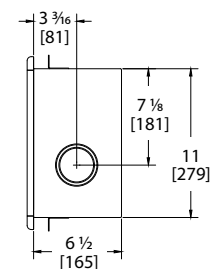
FRONT VIEW



TOP VIEW



RIGHT SIDE VIEW



Technical Specifications

Model Numbers

ZIL-PX

Available Gauges:

V-X-GAUGE-100
V-X-GAUGE-300
V-X-GAUGE-VAC

The Letter "L" Defines the Language:

English (NFPA) = U
Spanish (NFPA) = S

The Letter "X" Defines the Valve Size:

½" [1.3 cm] = 1
¾" [1.9 cm] = 2
1" [2.5 cm] = 3
1-¼" [3.2 cm] = 4
1-½" [3.8 cm] = 5
2" [5.1 cm] = 6
2-½" [6.3 cm] = 7
3" [7.6 cm] = 8

A2P-AVC-ELBOW

⅛" NPT street elbow used between sensor DISS fittings and zone shut-off is included but not attached.

NOTE:

The zone shut-offs shall be full port.

The ½" to 2" shut-off shall be assembled in a 3-7/8" deep box.

The 2-½" or 3" shut-off shall be assembled in a 6-½" deep box.

For sizes ½" to 1-½", the shut-off will be installed into a 2 gang box by turning the box upside down.

The shut-offs are mounted and the extra holes are then plugged as shown on the ½" to 1-½" assembly drawing on the previous page.

Distributed By: