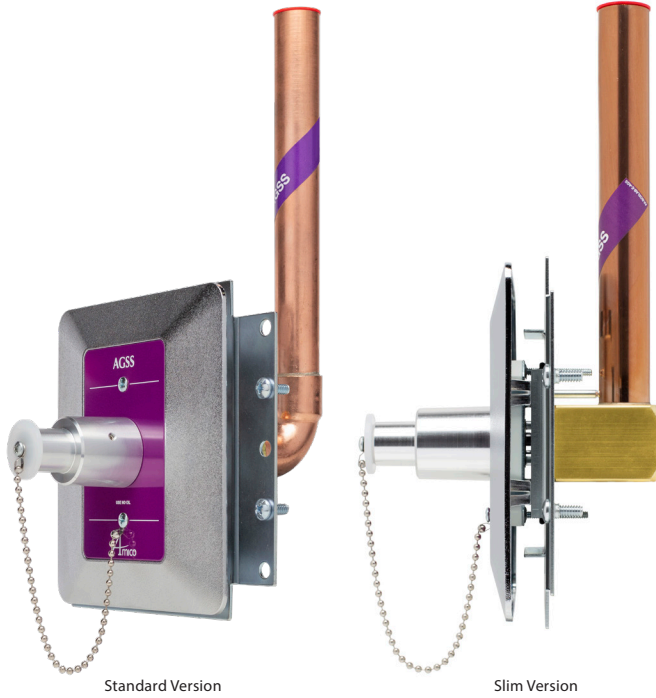


Passive Evacuation Outlet (AGSS)



Standard Version

Slim Version

Features:

- Flow rate exceeds the requirements of CSA
- 100% Pressure testing of each outlet and cleaned for medical gas service
- Indexed to eliminate interchangeability of gas services
- Up to 1" [25 mm] wall thickness adjustment
- Outlets are also available for M.R.I use

General Specifications:

The medical gas outlet shall be an Amico Alert-1 series. The Passive Outlets shall be manufactured with a 7-1/4" [184 mm] length type "K" 7/8" [22 mm] outside diameter, 3/4" nominal size copper inlet pipe stub, which is silver brazed to the outlet body. Suction inlets are not supplied with a secondary check valve. A pressure plug is provided for testing purposes, rated at 150 psi [1,034 kPa]. Outlets bodies shall be gas specific by indexing each gas service to a gas specific dual pin indexing arrangement on the respective identification module.

A large color coded front plate shall be used for ease of gas identification and aesthetic appeal.

A one piece chromed fascia plate shall frame the outlet. With the back rough-in mounted, the outlet shall adjust from 3/8" to 1" [10 mm to 25 mm] variation in wall thickness.

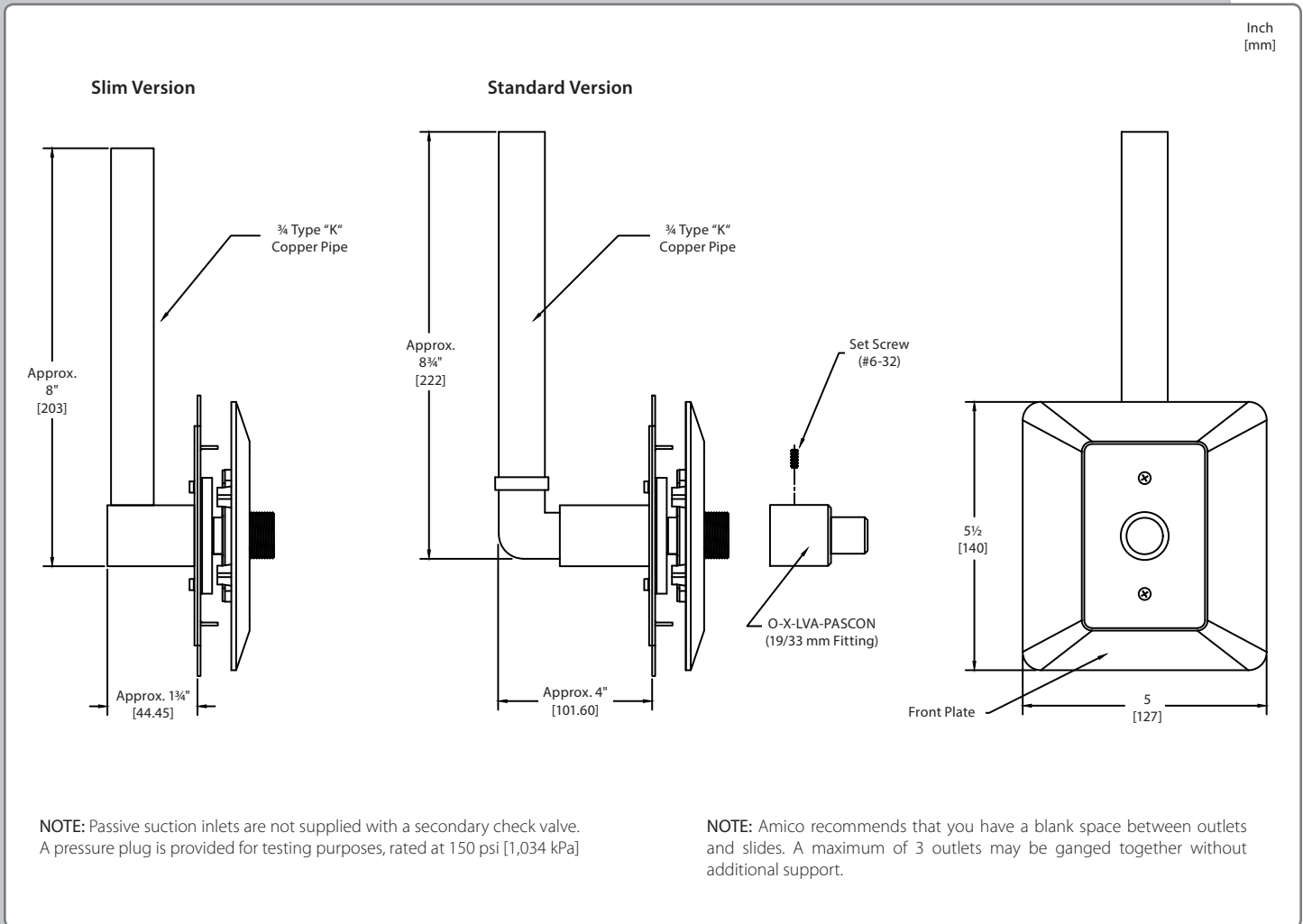
The outlet shall be of modular design and include a gas specific 16ga [1.6 mm] steel mounting plate designed to permit on-site ganging of multiple outlets, in any order, on 5" [127 mm] spacing.

The Passive Front Latch-Valve Assembly is assembled with an aluminum adapter, which accommodates 19/33 mm hose.

All M.R.I outlets are manufactured from nonferrous materials.

All outlets shall be cleaned and degreased for medical service, factory assembled and tested.

Project



Model Numbers

Labeling

AGSS (Anesthetic Gas Scavenging System)
CSA/ISO Standard

Front Latch Assembly Only

O-FASC-PAS-E-AGS
(O-FAMC-PAS-E-AGS for M.R.I.)

Back Wall Station Outlets

O-BAKW-PAS-E-AGS
(O-BAKWM-PAS-E-AGS for M.R.I.)
O-BAKW-PASSL-E-AGS (Slim Version)

Passive Wall Station Outlets

O-PASWAL-E-AGS
(O-PASWALM-E-AGS for M.R.I.)
O-PASWALSL-E-AGS (Slim Version)

Distributed By:

