

Indicator Panel Box NFPA



General Specifications:

Zone indicator panel boxes shall be an Amico Alert-1 series.

Each recessed zone indicator panel box shall consist of the following components: A steel indicator panel box which can house one zone shut-off with tube extensions, an aluminum frame, and a pull-out removable opaque window. Gauges are included.

The indicator panel box shall be constructed of 18 gauge steel complete with a baked white enamel finish. Affixed to the opposing sides of the box will be two adjustable steel brackets for the purpose of mounting the box to the structural support. The steel brackets shall accommodate various finished wall thicknesses of between 3/8" [9.5 mm] and 1-3/16" [30 mm] and shall be field adjustable.

The frame assembly shall be constructed of anodized aluminum and shall be mounted to the back box assembly by standard number 6/32" x 3/8" tapping screws as provided. The removable front shall be an opaque window with a pull-out ring pre-mounted to the centre of the window.

Access to the zone shut-off shall be by merely pulling the ring assembly to remove the window from the frame. The window can be reinstalled without the use of tools only after the shut-off handle has been returned to the open position.

The window shall be marked to prohibit unauthorized persons from tampering with the zone indicator panel with the following silkscreen caution:

"MEDICAL GAS CONTROL VALVES CLOSE ONLY IN EMERGENCY"

The zone shut-off shall be a 3 piece ball-type design with a brass forging body and a chrome plated brass ball for sizes 1/2" to 3". Ball seats, stem seals and stem washer shall be reinforced Teflon (PTFE), with Viton stem and flange O-rings. A blow-out proof stem shall be used and zone shut-off shall have a maximum pressure rating of 600 PSI [4,137 kPa]. All zone shut-off materials shall be compatible with medical gases or vacuum service to 29"Hg (98.205 kPa).

Zone shut-off shall be operated by a lever-type handle requiring only a quarter turn from a fully open position to a fully closed position.

The zone shut-off shall be equipped with type "K" washed and degreased copper pipe stub extensions of sufficient length to protrude beyond the sides of the box.

Each zone shut-off shall be supplied with an identification bracket which shall be riveted to the zone indicator panel box for the purpose of applying an approved medical gas identification label. A package of labels shall be supplied with each zone indicator panel box assembly for application by the installer.

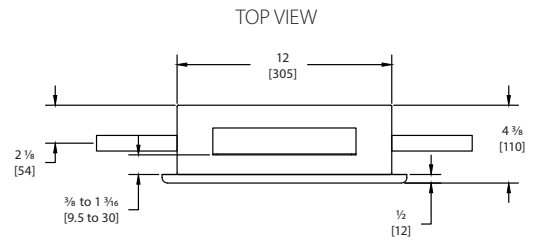
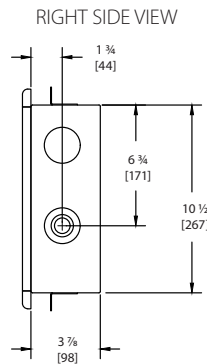
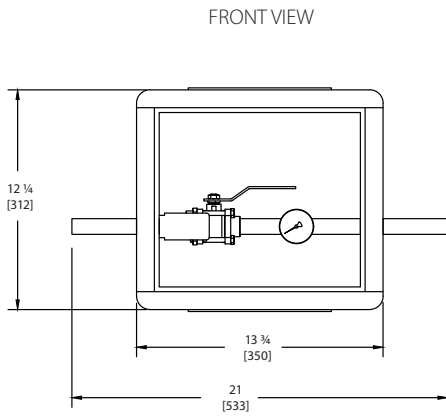
Amico products comply with NFPA-99.

Project

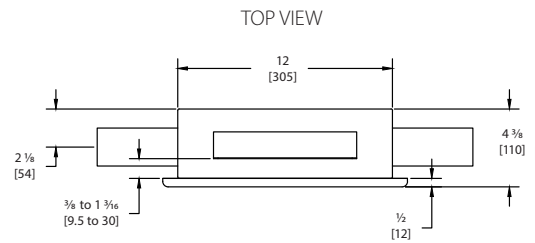
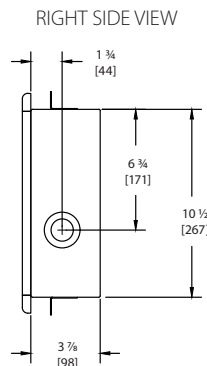
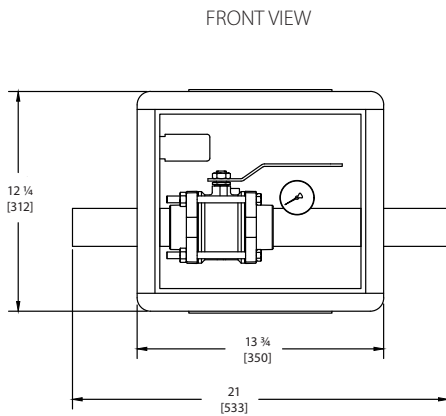
Technical Specifications

1/2" to 1 1/2" Zone Indicator Panel Box Assembly

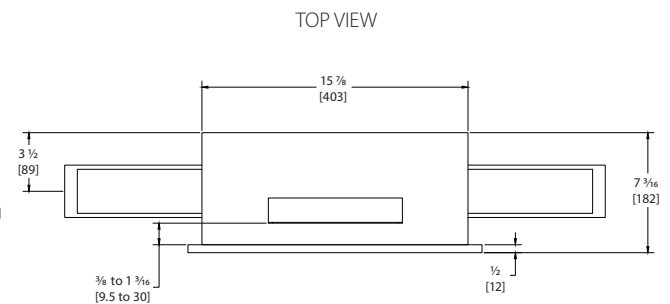
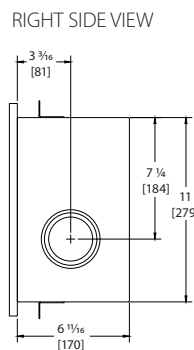
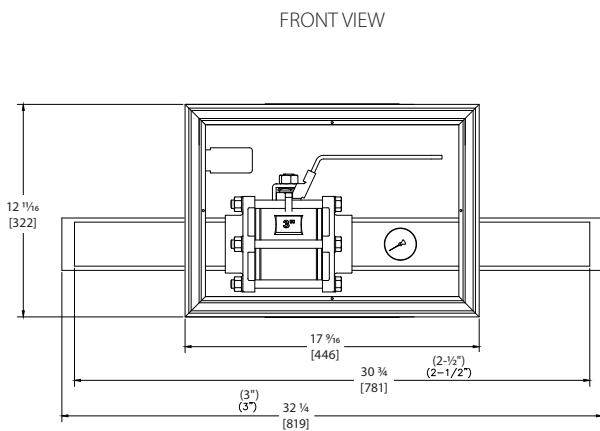
Inch
[mm]



2" Zone Indicator Panel Box Assembly



2 1/2" and 3" Zone Indicator Panel Box Assembly



NOTE: Frames for 2 1/2" and 3" to be standard aluminum, unpainted.

Model Numbers

ZIL-MX

The Letter "L" Defines the Language:

English (NFPA) = U
 Spanish (NFPA) = S

Monitoring (gauge optional 100, 300, VAC) = M

Replace "X" with the Size Required:

1/2"	=	1
3/4"	=	2
1"	=	3
1-1/4"	=	4
1-1/2"	=	5
2"	=	6
2-1/2"	=	7
3"	=	8

Example:

Box with gauge, English (Opaque Window) and a 1-1/2" shut-off monitoring = **ZIU-M5**

NOTES:

All zone shut-offs are full port.

The 1/2" to 2" shut-off shall be assembled in a 3-7/8" deep box.

The 2-1/2" or 3" shut-off shall be assembled in a 6-11/16" deep box.

For sizes 1/2" to 1-1/2", the shut-off will be installed into a 2 gang box by turning the box upside down. The shut-off is mounted and the extra holes are then plugged as shown on 1/2" to 1-1/2" zone indicator panel assembly drawing.