

# Equipment Shelf & Drawer Specifications



## Specifications:

- Modular design allows for optional drawers to mount perfectly under the shelf
- Constructed of powder coated aluminum
- Adjustable equipment shelves have a carrying capacity of 150 lbs
- Drawers are capable of holding up to 25 lbs, incorporate a self-closing feature and have an option to add a lock
- Mounted onto the integrated rail, the end user can adjust the shelves the desired position

## Equipment Shelf



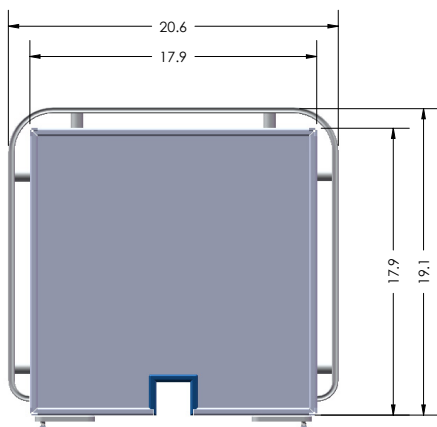
Part Number:  
CN-SHF-18-AL-GR

## Equipment Drawer

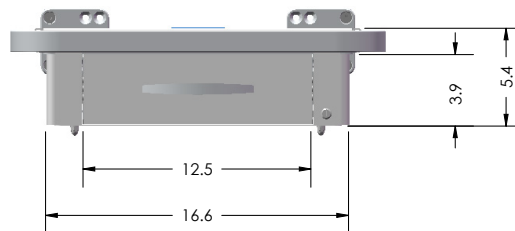


Part numbers:  
CN-DRWR-SHF-18-AL-SGL (single drawer)  
CN-DRWR-SHF-18-AL-DBL (double drawer)

## Dimensions



Shelf Top View



Drawer Front View