

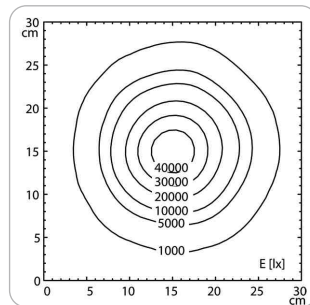
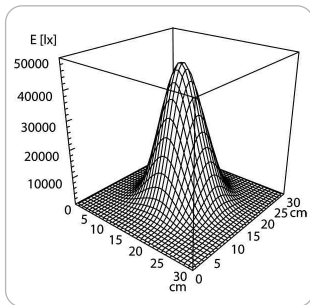
# Clarity Series

## Clarity 30 LED Light

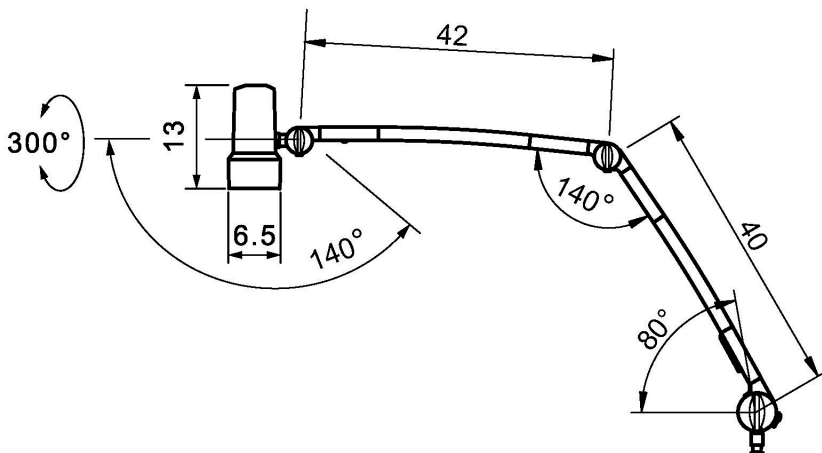
### Task and Reading Light



#### Light Distribution:



#### Dimensions:



#### Specifications:

- **Fitted with:** LED module - Energy efficiency category A+
- **Illuminance field @ 50 cm:** Ø 18 cm (7 in)
- **Illuminance @ 50 cm:** 30 000 lx
- **Color Rendering Index (CRI):** > 93
- **Colour Temperatur:** 4400K
- **Work Equipment:** Electronic plug-in transformer
- **Mains Lead:** 1.7 m (66.92 in)
- **Luminaire Body:** Polycarbonate & acrylonitrile butadiene styrene copolymer (PC & ABS)
- **Weight (net):** 1.1 kg (2.42 in)
- **Power Consumption:** 8 W
- **Usage:** Keypad at luminaire head
- **Balance of Articulation Joints:** Spring
- **Protection:** Class II
- **Accessories:** Roll support, rail fastening with removal protection, table clamp with removal protection, universal fastening with removal protection, extension arm with removal protection, wall bracket with removal protection
- **Norms:** EN 60601-1, EN 60601-2-41
- **Special Features:** Continuously dimmable, maintenance free
- **Fastening:** Fastening pin (Ø 16mm)
- **Order Number:** D15994000 - pure white

# Clarity Series

## Clarity 30 LED Light

### Task and Reading Light

#### Ordering Guide:

**L - CL30L -**      **Arm Type**      **Mounting Type**      **Rail Type**      **Accessories**

#### For Example: L-CL30L-AR-RM-AV-00

Clarity 30 LED, Articulating Arm, Rail Mount, Amico Vertical Rail, No Accessories

#### Ordering Information:

Series	Arm Type	Mounting Type	Rail Type	Accessories
L-CL30L	AR Articulating Arm	RM Rail Mount	00 No Rail	00 No Accessories
		FS Floor Stand	AH Amico Horizontal	
		WM Wall Mount	AV Amico Vertical	
		TM Table Mount	FH Fairfield Horizontal	