

Description:

The Lunar Series LED Night Lights bring a soft, low level of illumination to any healthcare environment. Night Lights allow clinical staff to navigate through a dark room without disturbing patients. To accommodate for the various sleep patterns of the patient, the Lunar Series Night Lights are available in 2700K, 3000K, 3500K, and 4000K soft white as well as in amber and blue colors. Our unique faceplate design is not only aesthetically pleasing, it also has minimal protrusion from the wall and provides even light distribution. The Lunar Series LED Night Lights can be controlled by a switch or by using photocell technology that will automatically turn the Night Light on in low light conditions.

Features:

- Hospital grade material and antimicrobial finish
- White, amber, and blue LED options
- Even light distribution
- Long lasting LEDs



Construction Material:

Housing: Die-cast aluminum. Powder coated finish with 5-stage pre-treatment. Antimicrobial finish.

Lens: Frosted diffuser for a general light distribution. UV-stabilized, high impact-resistant, injection molded polycarbonate.

Photocell Sensor Option: Light sensor shall turn on LED light source when ambient light levels fall below $5fc \pm 2fc$ and turn off when light levels are above $15fc \pm 5fc$. Performance may vary depending on location of ambient light sources, windows, room finishes and surrounding objects.

Installation: Standard installation requires the back plate to be mounted to a NEMA, single-gang junction box (supplied by others).

Drivers: High power factor constant current, 0.97 pf @ 120 V (Class 2, Class II).

Specifications:

Voltage: 120 - 277 Volts

Light Output: 33.4 lm

Wattage: 3.3 W

Color Temperature: White 2700K, White 3000K, White 3500K, White 4000K, Amber, Blue

Life of LEDs: L70 50,000 hours

Warranty: Limited five (5) year warranty

Listings: Certified to UL standards by ETL. Conforms to CSA standards as per ETL testing. Wet Locations option available.

Ordering Guide:

L - LUN - G2 -



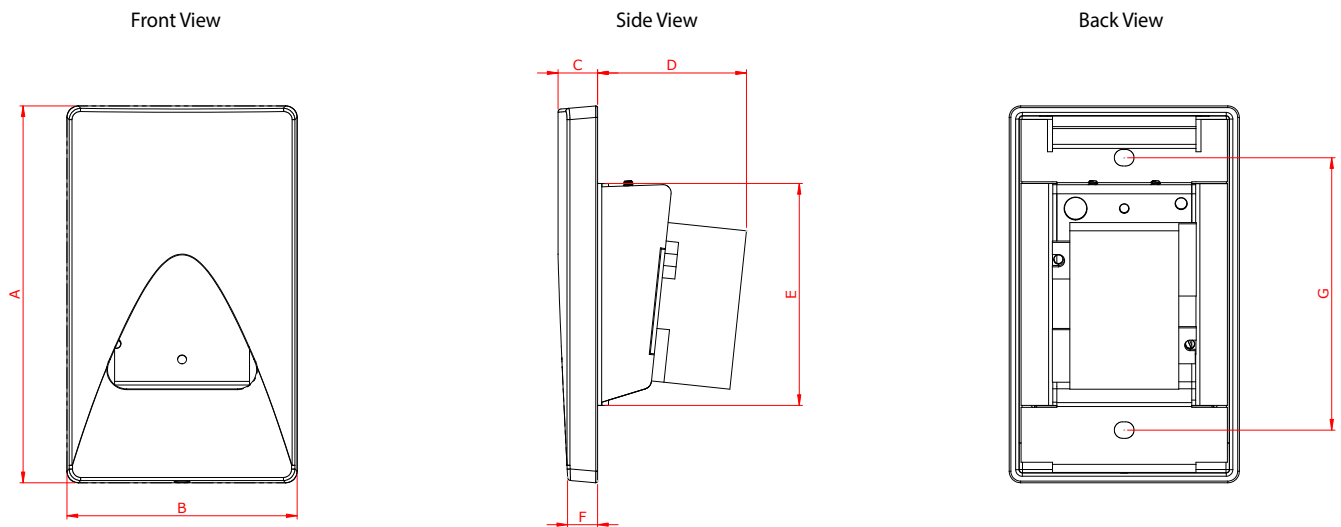
For Example: L-LUN-G2-120-35K-01-PS

Lunar Series Night Light, 120 V, 3500 Kelvin White LED, Matte White Finish, Photo Sensor, Dry/Damp Only

Ordering Information:

Series	Voltage	LED Lamp Type	Finish	Options	Optional Wet Listing
L-LUN-G2	120 120 V	27K 2700K White LED	01 Matte white	SW Switch provided by others	blank Dry/Damp Only
	277 277 V	30K 3000K White LED	02 Matte silver	PS Photo sensor	W Suitable for Wet Locations
		35K 3500K White LED	03 Custom color		
		40K 4000K White LED			
		AMB Amber LED			
		BLU Blue LED			

Dimensions:



Legend:

A	B	C	D	E	F	G
4.5" (114.3 mm)	2.75" (69.9 mm)	0.47" (12.0 mm)	1.75" (44.5 mm)	2.65" (67.3 mm)	0.35" (9.0 mm)	3.25" (82.5 mm)

NOTE:

Recommended wall cut-out is minimum of 3.2" x 2" (81.3 mm x 50.8 mm) and a maximum of 4" x 2.3" (101.6 mm x 58.4 mm)