

Description:

The Mira LED Procedure Exam Light offers the latest advancements in minor procedure and examination lighting. Its precisely positioned LEDs provide superior shadow control, depth of field, and light intensity to provide caregivers with the advanced visual acuity critical environments.

The Mira LED Procedure Exam Light offers various functionalities including five levels of dimming and an Endo mode to provide low level illumination to clinicians during endoscopy procedures. Clinicians can easily control the lighting functions using the keypad located directly on the light head or using the optional Wall Control Keypad that can be mounted anywhere within the room. For ultimate convenience the two keypads work cooperatively together and allow the fixture to be controlled from multiple locations within the room.

The Mira LED Procedure Exam Light features a removable handle ergonomically positioned off to the side to maximize the light field. The handle can be rotated to electronically focus the light beam to a concentrated 6" for targeted procedures, or 12" for broader examinations.

Features:

- Control pad on light head for easy access to light functions
- Slim design to reduce clutter in small workspaces
- Lightweight long reach arms allow for easy positioning
- Twist handle for focusing light beam from 6.5" to 12"
- Removable/sterilizable handle
- Optional wall control keypad



Switch on the light at light head



Set the required luminosity with 5 dimming levels



Endo mode

Construction Material:

Color Options: Antique white

Light Head Diameter: 18" (45.72 cm)

Light Head Weight: 11 lbs (5 kg)

Number of LEDs (main): 36

Brightness Control: 50% - 100%

Light Field Diameter: 6.5" – 12" (16.5 cm – 30.5 cm)

Depth of Illumination: 94.5" (240 cm)

Power Supply: Direct power supply

Specifications:

Voltage: 120 - 240 Volts

Shadow Dilution: Single Mask: 0.7%, Double Cavity: 55.5%, Cavity: 100%, Single Mask with Cavity: 0.3%, Double Mask with Cavity: 55.3%

Electrical: 100-240 VAC, 50/60 Hz, 0.26 amps

Color Rendering Index (Ra): 95

Light Intensity (Central Luminance): 50,000 Lux (4,762 fc) at 1 m (39.37")

Standard Color Temperature: 4500K

Life of LEDs: L70 50,000 hours

Certifications: AAMI STD ES60601-1, IEC STD 60601-1-6, IEC STD 60601-2-41

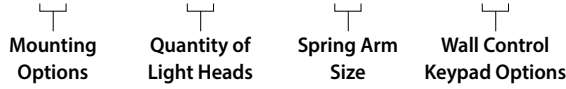
Warranty: Limited five (5) year warranty

Mira 50 LED Procedure Exam Light

Ceiling Mounted

Ordering Guide:

L - MLED50 -



For Example: L-MLED50-CM-SC-ST-WC

Mira 50 LED, Ceiling Mount, Single Ceiling Mount, Standard Arm, Single Wall Control Mount

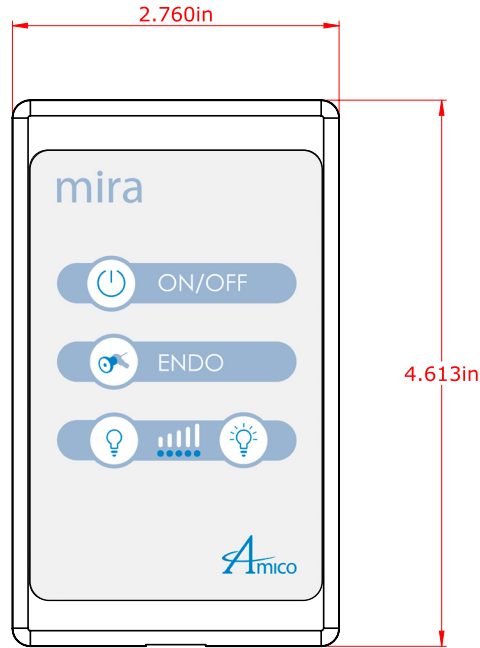
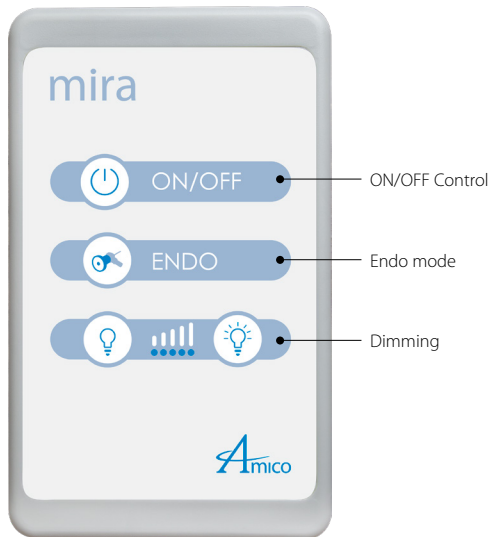
Ordering Information:

Series	Mounting Options	Quantity of Light Heads	Spring Arm Size	Wall Control Keypad Options
L-MLED50	CM Ceiling Mount	SC Single Ceiling Mount	ST Standard	00 No Wall Control Keypad
		DC Dual Ceiling Mount	EX Extended	WC Single Wall Control Keypad

NOTE:

North American: 120V; International: 230V

Optional Wall Control Keypad:



NOTES:

The Wall Control Keypad is compatible with single ceiling mount and wall mount options.

The Wall Control Keypad can be placed anywhere in the room and works cooperatively with the controls installed on the light head.

Wall Control Keypad Features & Benefits:

- Backlit controls make it easy for clinicians to identify lighting functions
- Dimming indicators allow clinicians to adjust light intensity to their desired level
- Mylar overlay for ease of cleaning and infection control
- A compact design to fit seamlessly into a single-gang electrical box
- Low-voltage connection for user safety
- Includes Endo mode for endoscopy procedures

Dimensions

Range of Motion

Diameter 131.00 in (332.00 cm) Based on Standard Arm (550.00 mm)
Diameter 145.00 in (370.00 cm) Based on Extended Arm (720.00 mm)

360° Range of Motion

Diameter 68.00 in (173.00 cm) Based on Standard Arm (550.00 mm)
Diameter 82.00 in (208.00 cm) Based on Extended Arm (720.00 mm)

360° Range of Motion

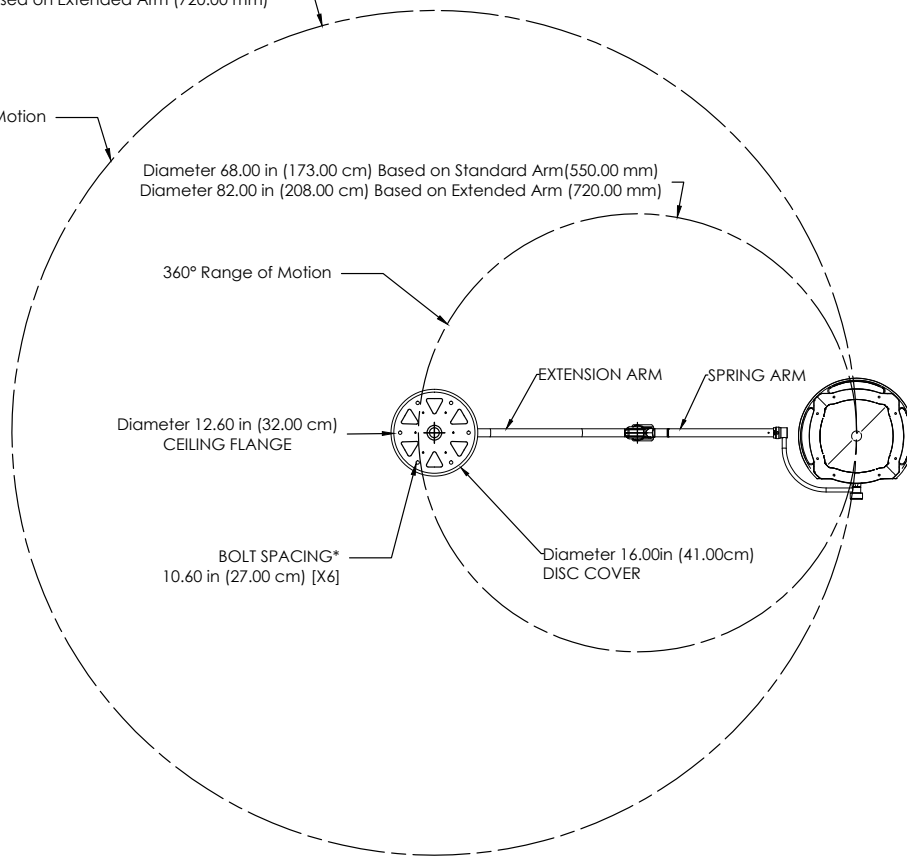
Diameter 12.60 in (32.00 cm)
CEILING FLANGE

BOLT SPACING*
10.60 in (27.00 cm) [X6]

EXTENSION ARM

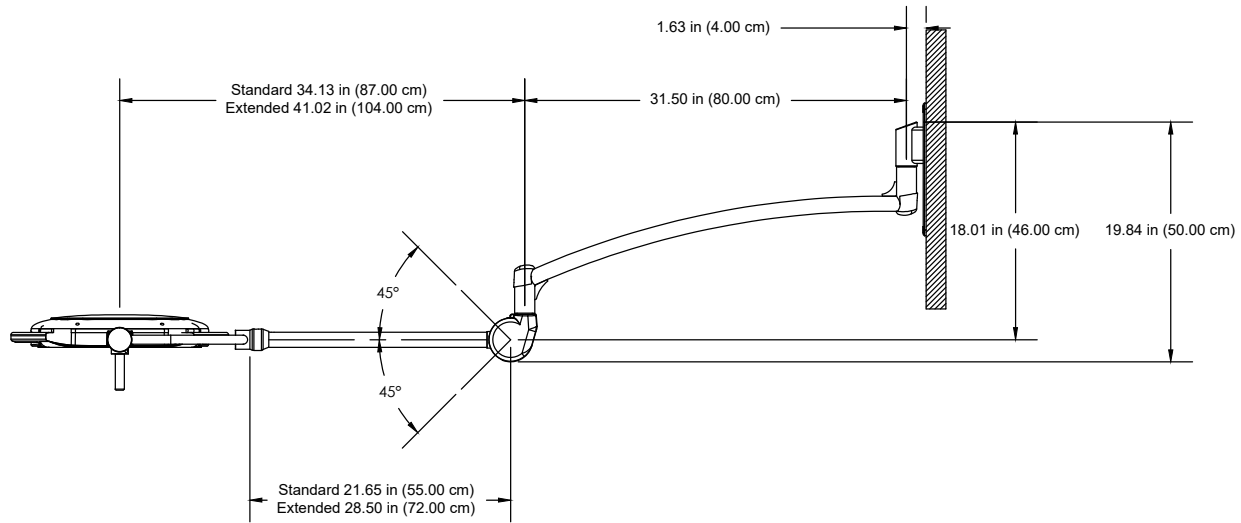
SPRING ARM

Diameter 16.00 in (41.00 cm)
DISC COVER



Dimensions

Wall Mount



Dual and Single Ceiling Mount

