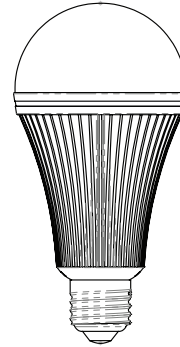


Product Description

The A21 Retrofit LED Lamp delivers up to 1800 lumens of soft white light. These lamps feature a consistent and balanced omni-directional light source. A21 Retrofit LED Lamps offer exceptionally cool operation for long LED lifetime and color stability. These lamps provide a consistent and balanced light source and were designed specifically for use in MRI scan rooms. Contains no on-board electronics to interfere with MRI imaging. Certified to meet MRI vendor EMI requirements. MRI applications require EMI free emissions for specific frequency bands. All drive circuitry employs linear regulation and no pulse width modulation (PWM*).

Performance Summary

- Initial Delivered Lumens: 1800 lm
- Input Power: 17 watts
- CCT: 3500K
- Limited Warranty: 3 years
- Lifetime: Designed to last 50,000 hours
- Dimming: Linear



Mechanical				
	Minimum	Typical	Maximum	Units
Package	-	A21	-	-
Electrical Connection	-	E26	-	-
Fixture Weight	-	0.4	-	lbs

Electrical				
	Minimum	Typical	Maximum	Units
Input Voltage	-	24	-	Vdc
Input Current	-	700	-	A
Input Power	-	17	-	W
BTU	-	58	-	BTU/hr
Wiring	-	E26	-	-

Compliance				
	Minimum	Typical	Maximum	Units
IP	-	20	-	Dry Location
Regulatory	-	Listed	-	UL 2108 CSA 22.2#250.0
RoHS	-	Pending	-	2011/65/EU

Environmental				
	Minimum	Typical	Maximum	Units
Storage Temperature	-40	25	85	C
Operating Temperature	-20	25	35	C
Humidity	5	-	95	%
Lifespan	50000	-	-	Hours
Warranty	3	-	-	Years

Installation Notes				
An Amico RF Filter is required for proper operation in the MRI suite				
An Amico Power Supply is required for proper operation in the MRI suite				
*PWM is known to cause image artifacts, audible noise and light flicker				

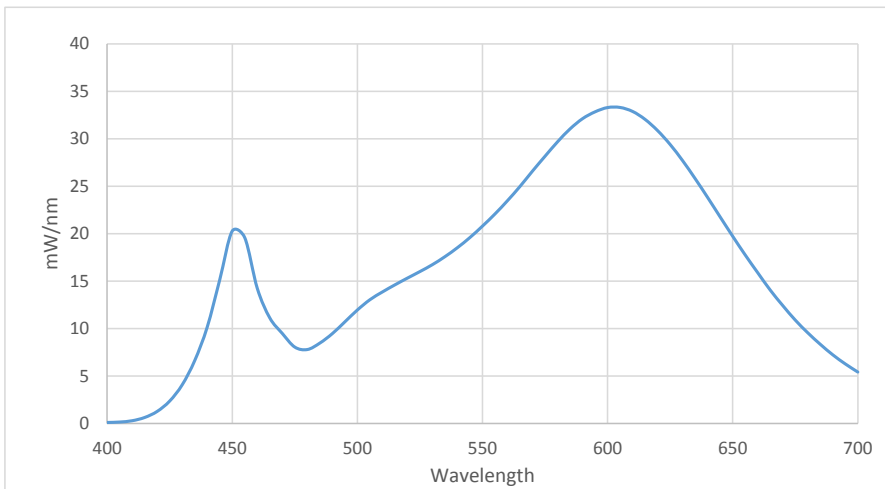
Ordering Information

Part Number	CCT
1-07-000019	LED 3500K

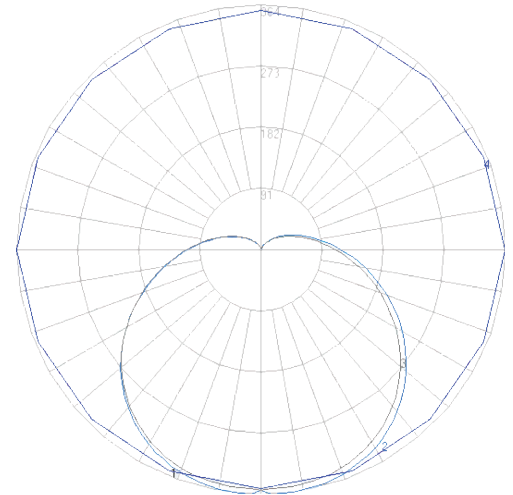
Photometric Data and IES Distribution

	Minimum	Typical	Maximum	Units
Luminous Flux	-	1800	-	lm
CCT	3100	3500	-	k
CRI	80	-	-	
Chromaticity (u')	-	0.248	-	
Chromaticity (v')	-	0.514	-	
Efficacy	-	105	-	lm/W

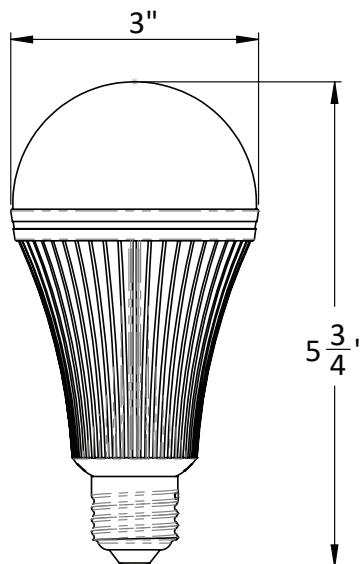
Spectral Data Over Visible Wavelength



Polar Point



Mechanical Dimensions*



*For informational purposes only. Content subject to change.